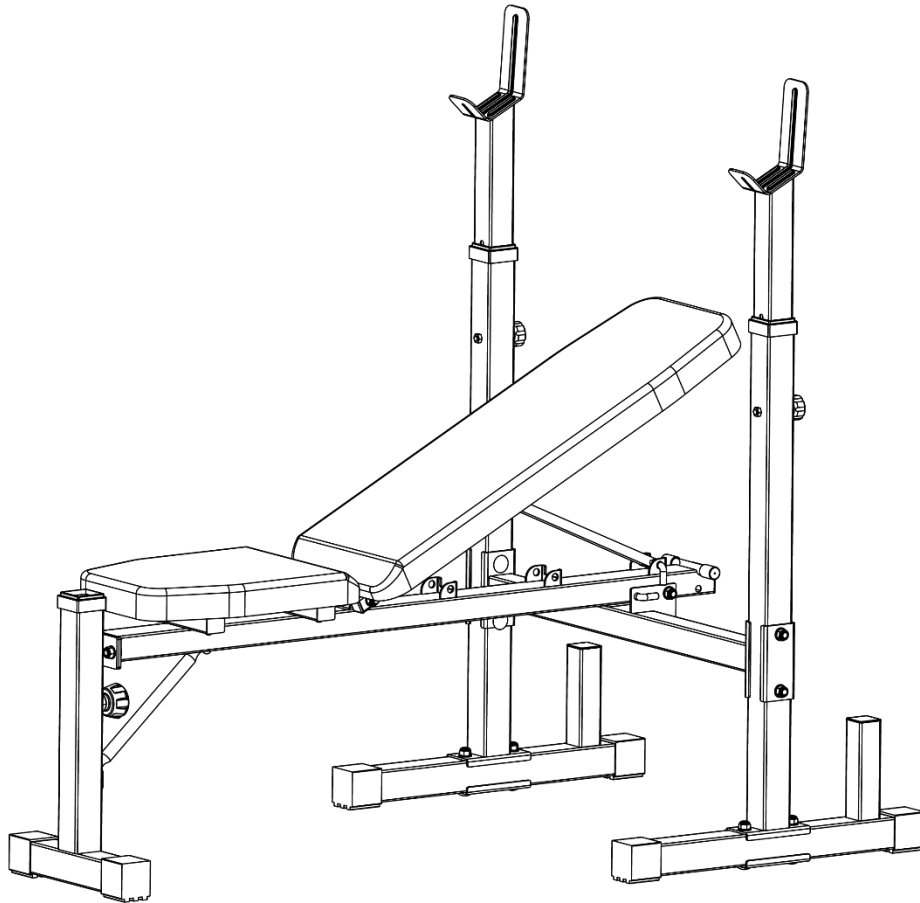


# MARCY<sup>®</sup>

## WEIGHT BENCH

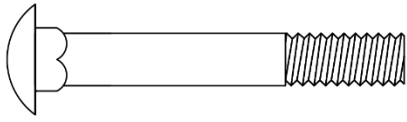
### MWB-5511



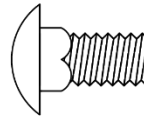
**IMPORTANT:** Please read the Important Safety Notice and Assembly Information in the Owner's manual before assembling this product.

**Assembly Manual**

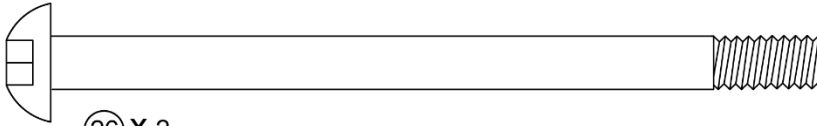
240729



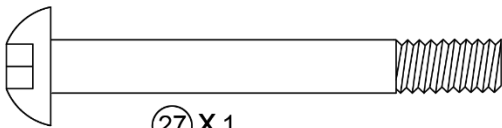
②4 X 8



②5 X 2



②6 X 2



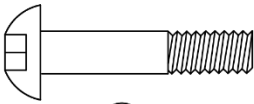
②7 X 1



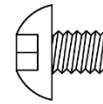
②8 X 1



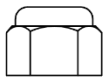
②9 X 4



③0 X 4



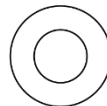
③1 X 1



③2 X 13



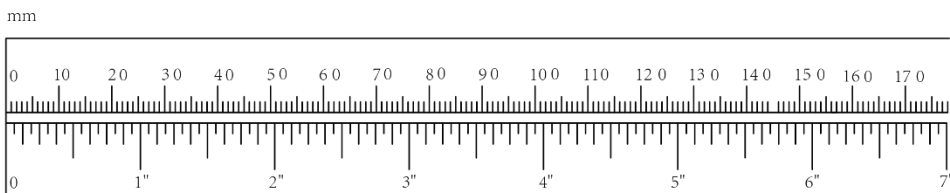
③3 X 1

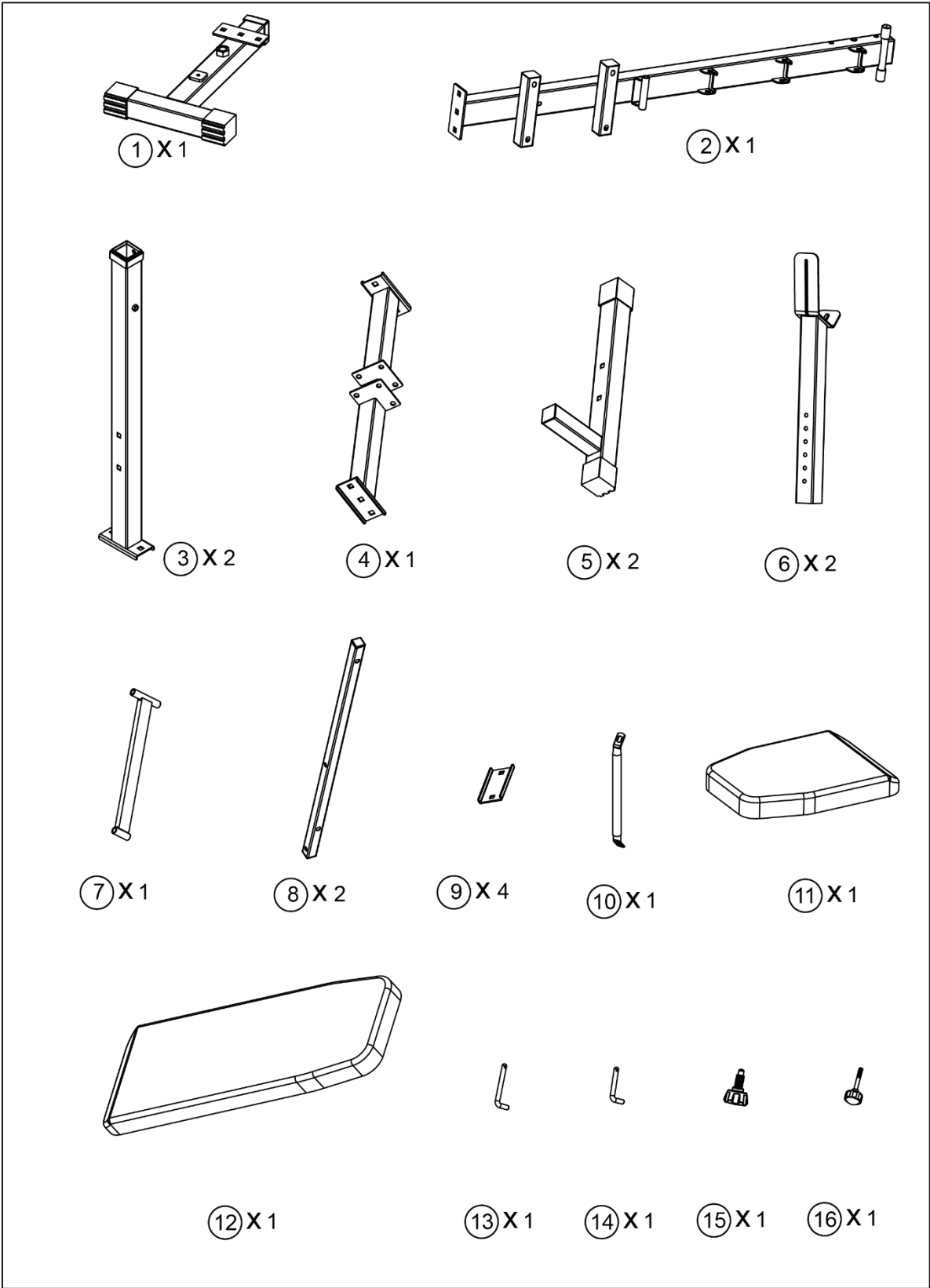


③4 X 16



③5 X 11





24 X 8



M10 x 2 3/4"

32 X 8

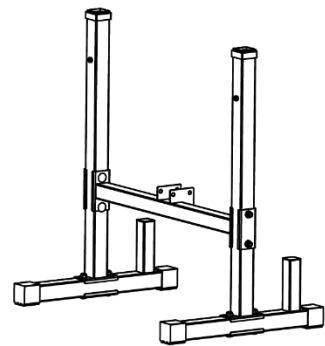
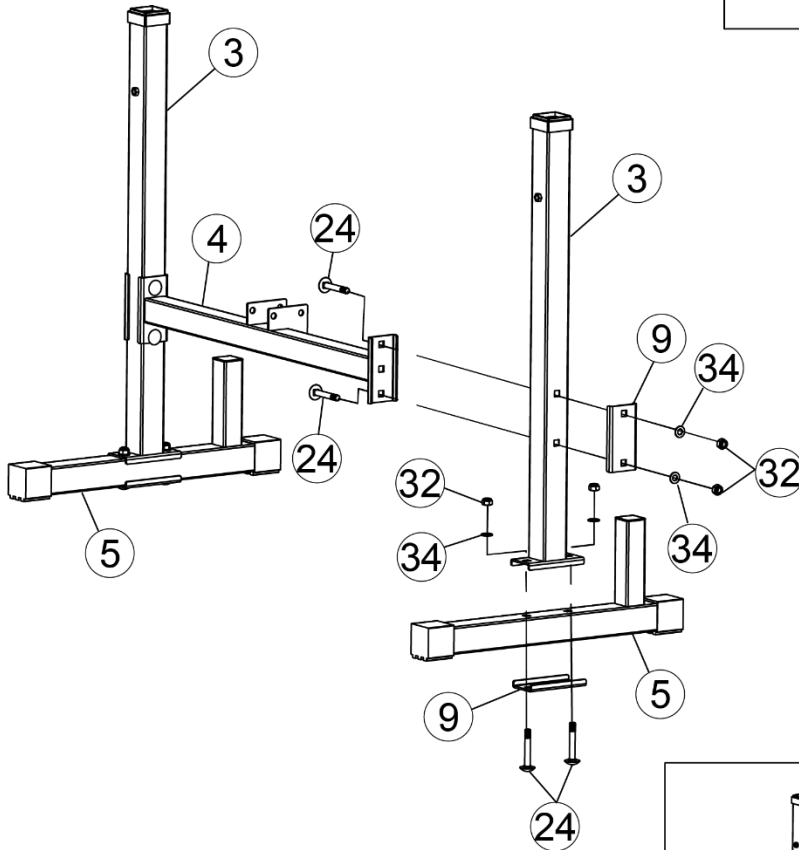
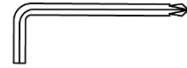
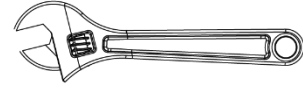


M10

34 X 8



Ø 3/4"

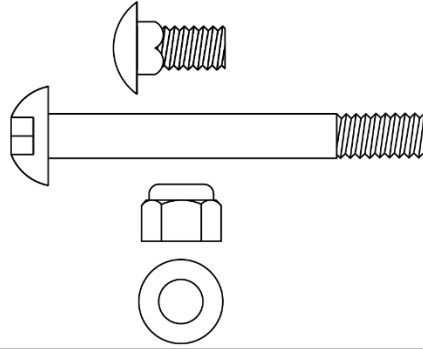


(25) X 2

(27) X 1

(32) X 3

(34) X 4

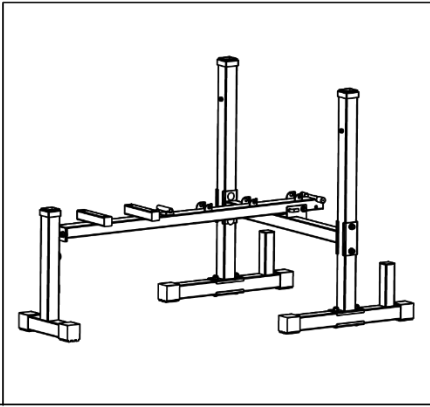
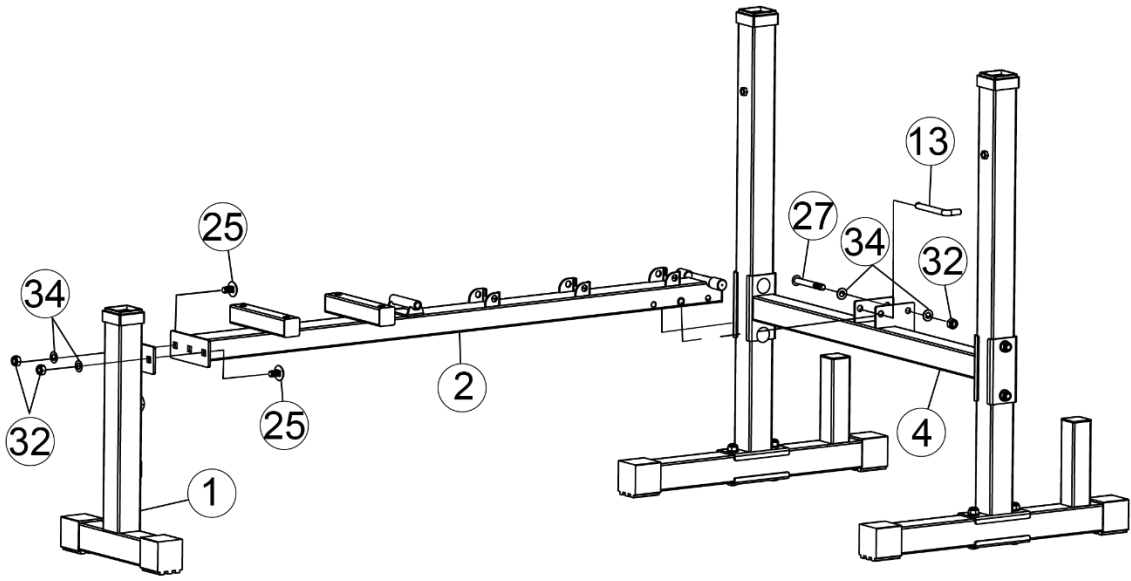
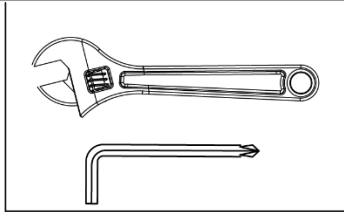


M10 x  $\frac{3}{4}$ "

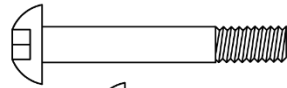
M10 x  $3\frac{1}{3}$ "

M10

$\varnothing \frac{3}{4}$ "



28 X 1



M8 x 2 1/5"

31 X 1



M8 x 2/5"

33 X 1

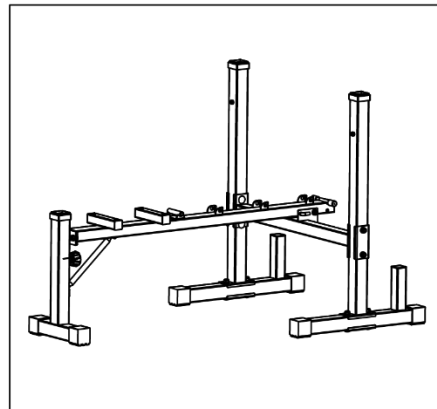
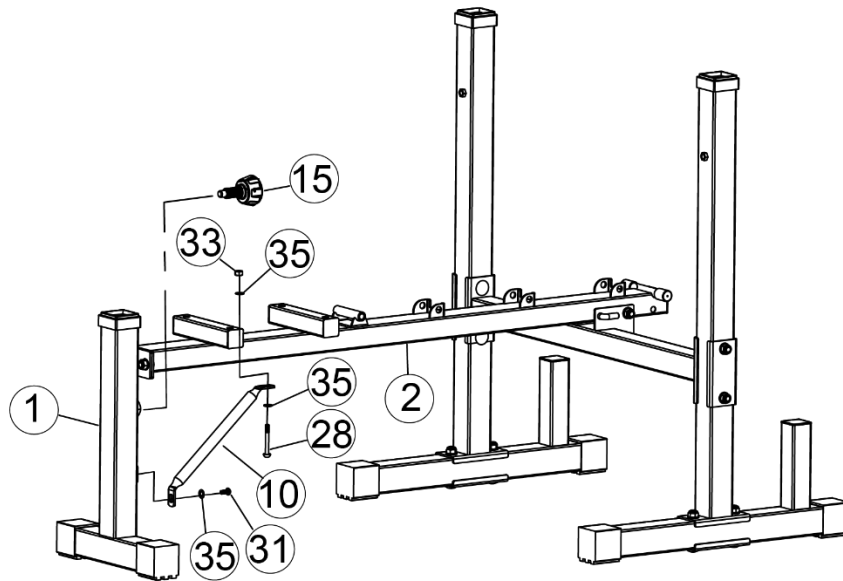
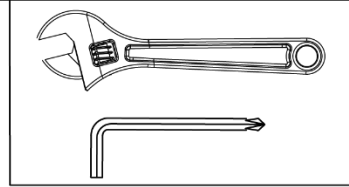


M8

35 X 3



Ø 5/8"





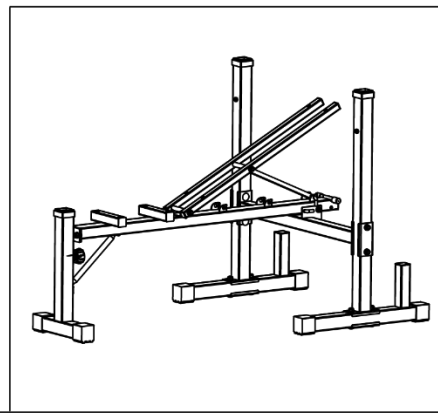
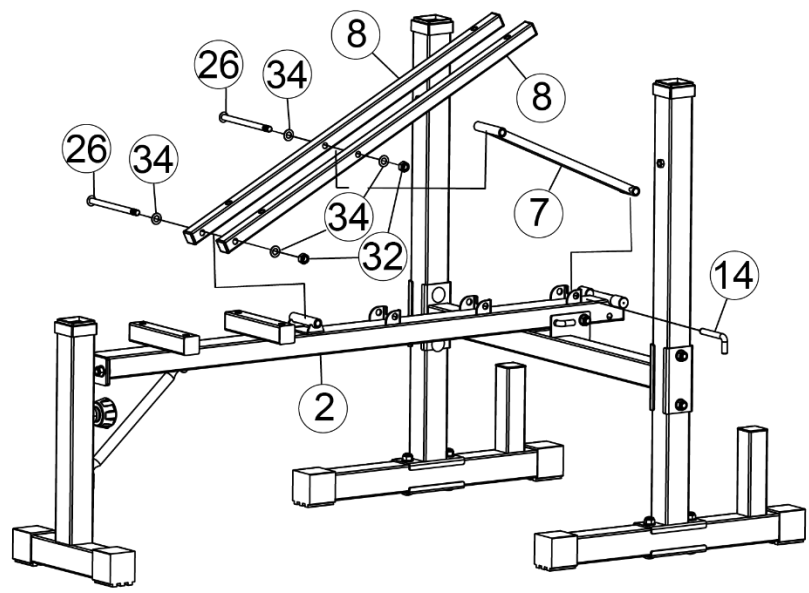
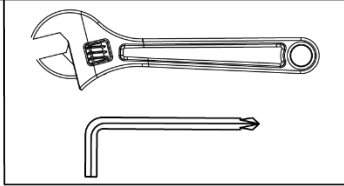
M10 x 5  $\frac{3}{4}$  "

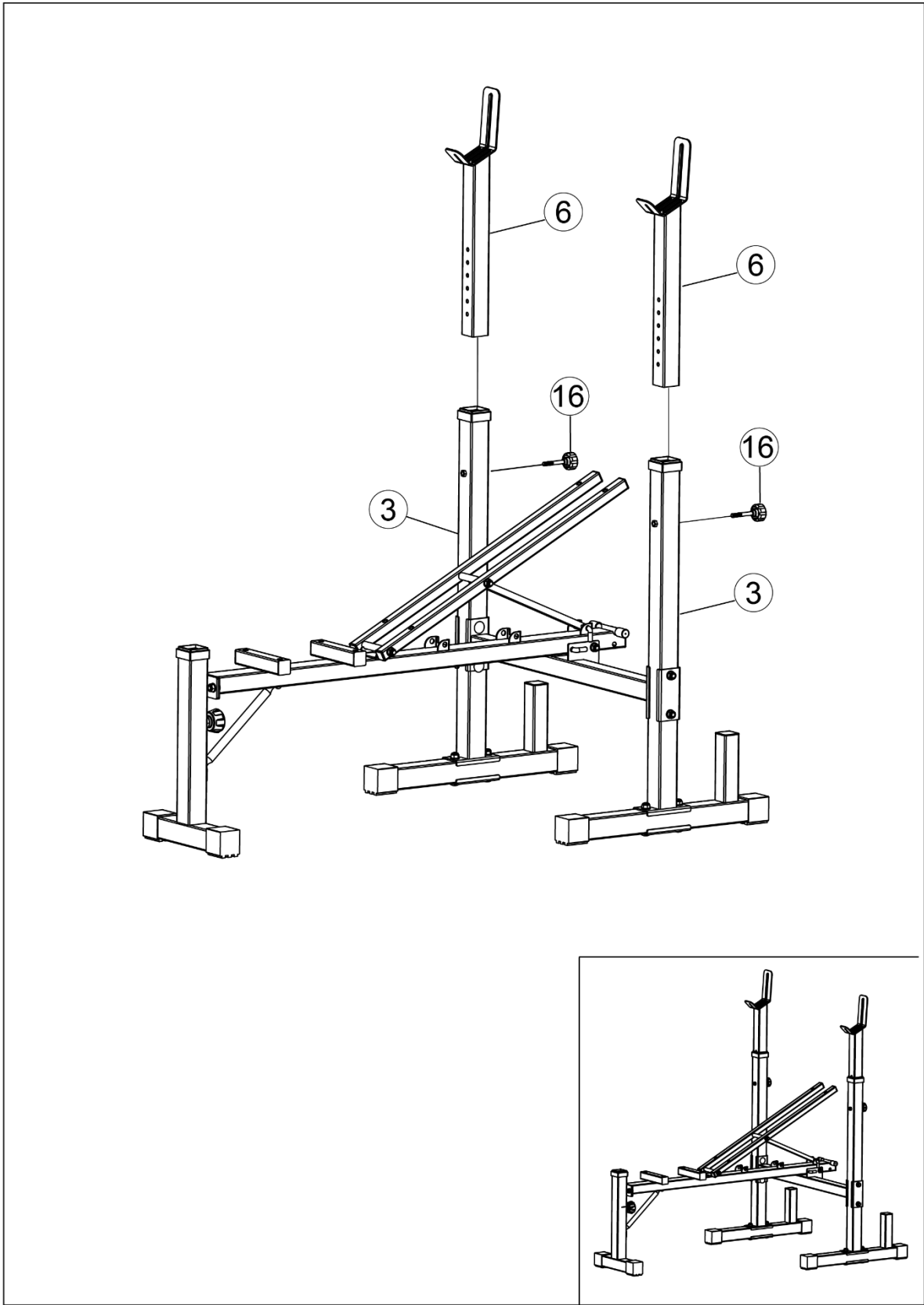


M10



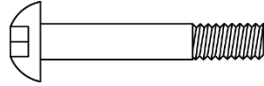
$\varnothing \frac{3}{4}$  "





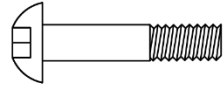


29 X 4



M8 x 2"

30 X 4

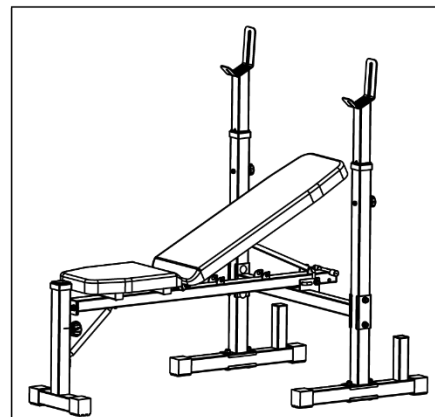
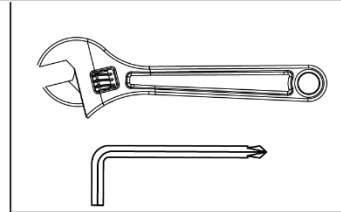
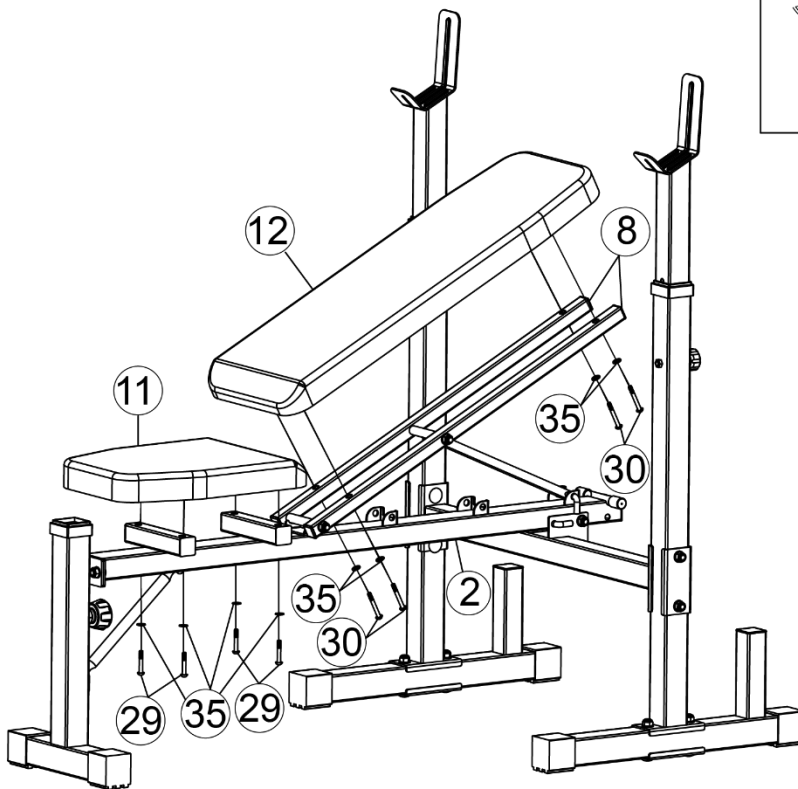


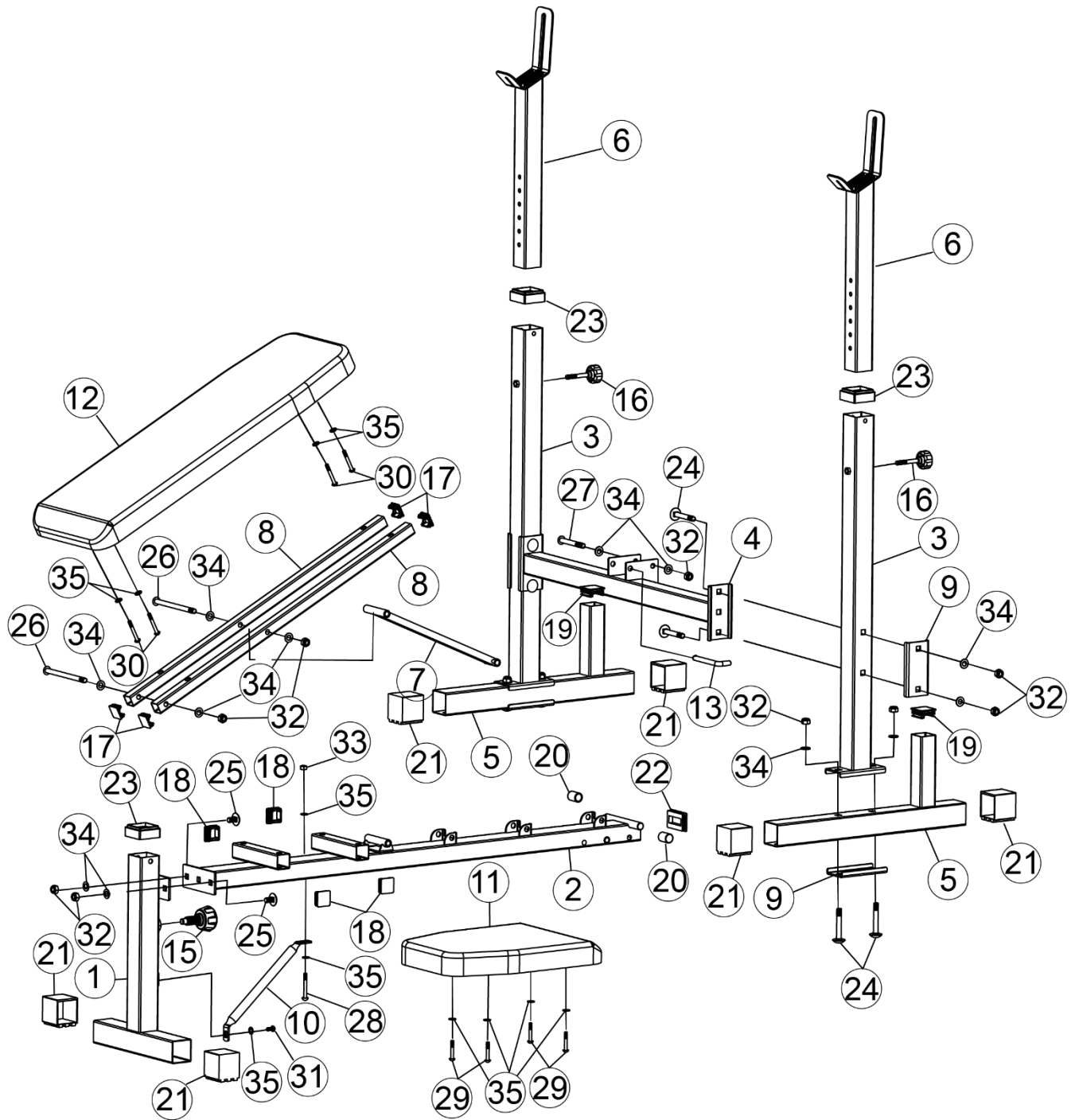
M8 x 1 3/5"

35 X 8



Ø 5/8"





**IMPEX® INC.**

2801 South Towne Avenue, Pomona, California 91766

Tel: (800) 999-8899 Fax: (626) 961-9966

[www.marcypro.com](http://www.marcypro.com)

[support@impex-fitness.com](mailto:support@impex-fitness.com)