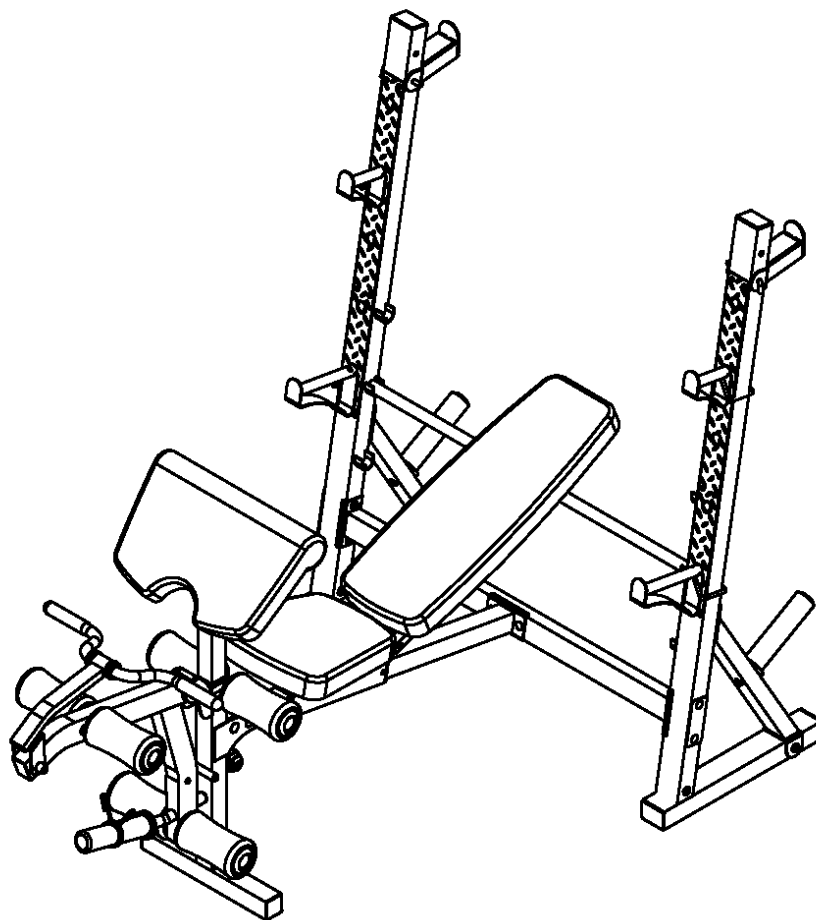


MARCY[®]

MARCY DIAMOND ELITE OLYMPIC BENCH

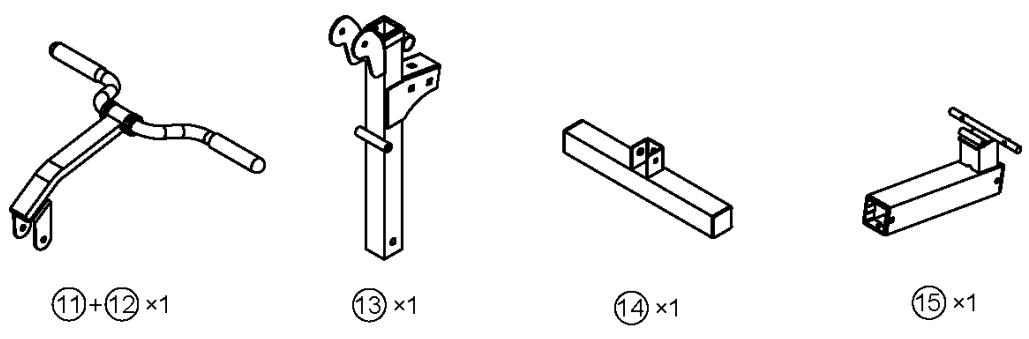
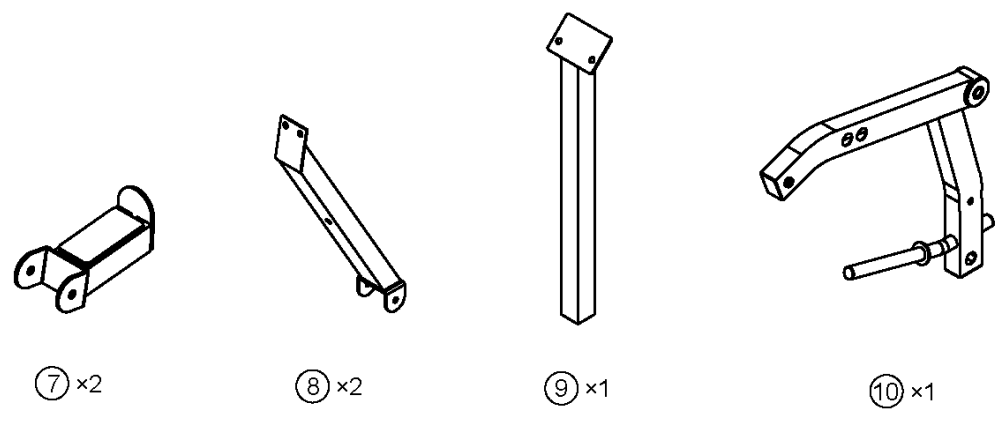
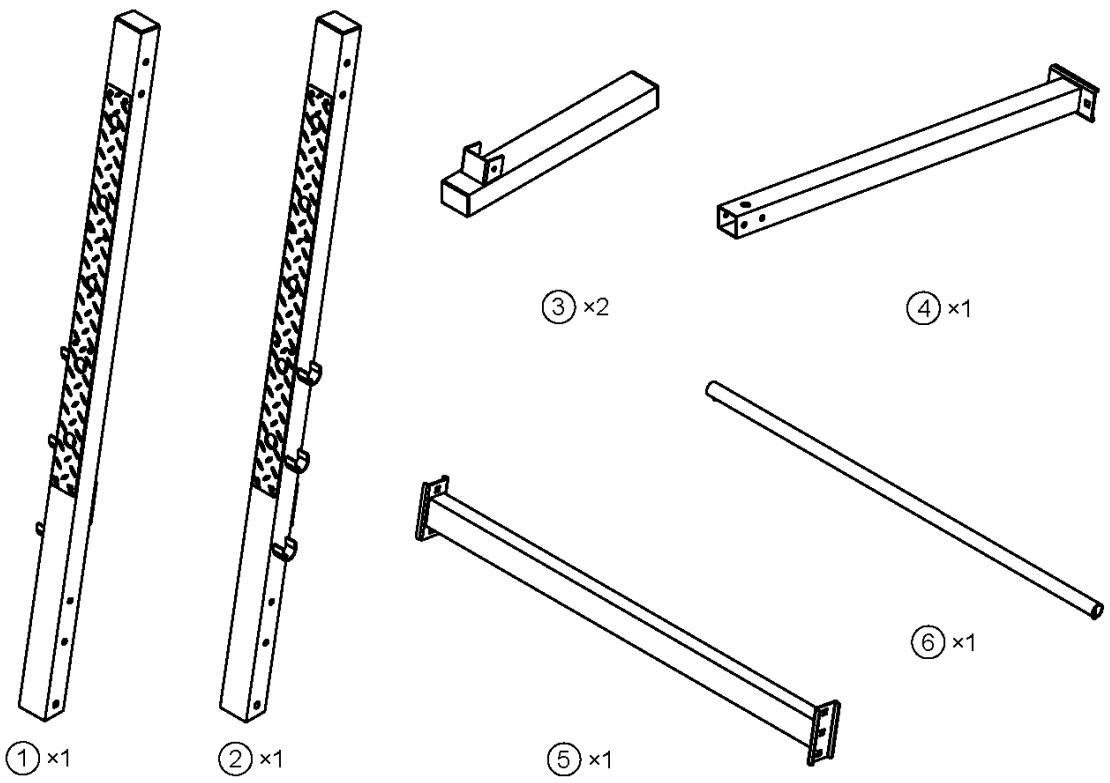
MD-7911

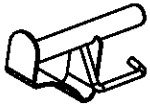


IMPORTANT: Please read the Important Safety Notice and Assembly Information in the Owner's manual before assembling this product.

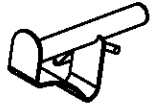
Assembly Manual

231004

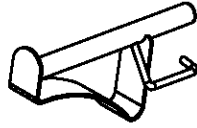




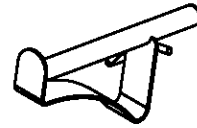
①⑥ x1



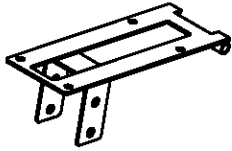
①⑦ x1



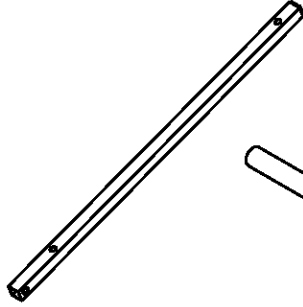
①⑧ x1



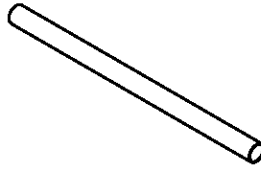
①⑨ x1



②⑦ x1



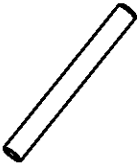
②① x2



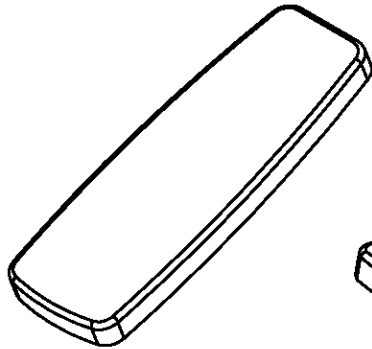
②② x3



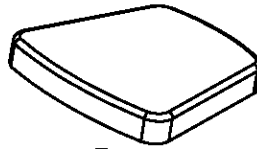
②③ x3



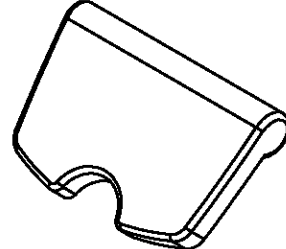
②④ x2



②⑥ x1



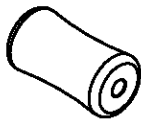
②⑦ x1



②⑧ x1



③⑦ x3



③① x6



③② x6



④② x2



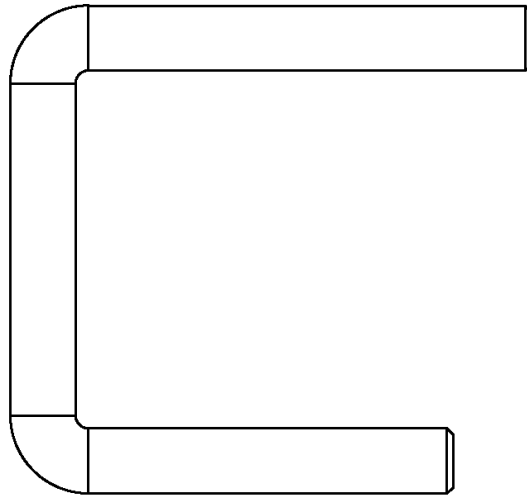
⑤② x1



④⑦ M6 x 1/2" x 1



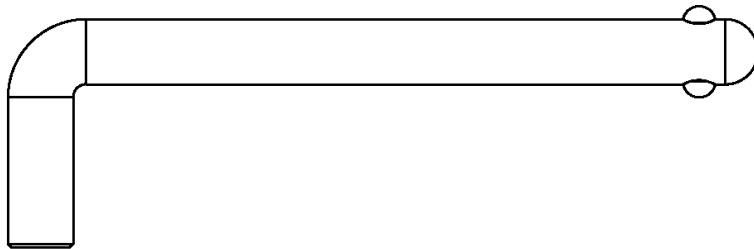
④⑧ Ø 1/2" x 1



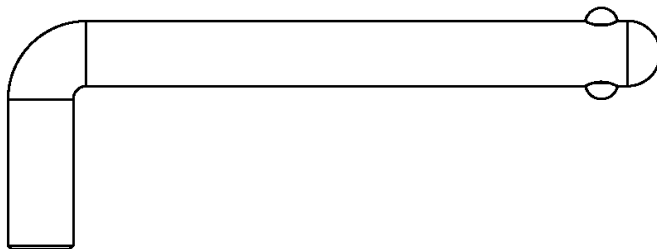
④⑨ x 1



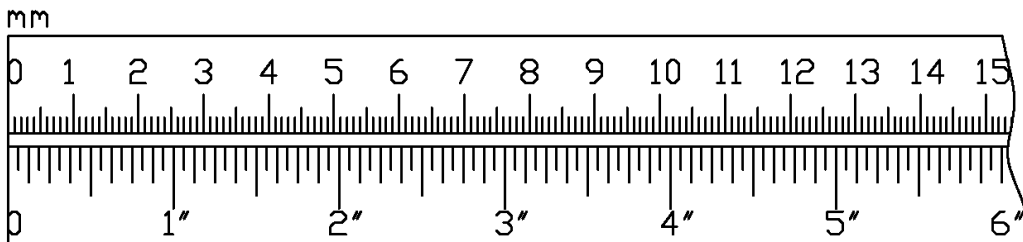
④⑩ x 1

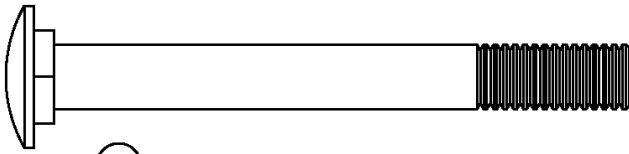


④⑪ 4 1/2" x 2

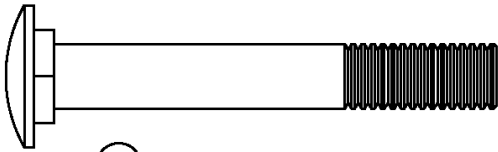


④⑬ 4" x 1

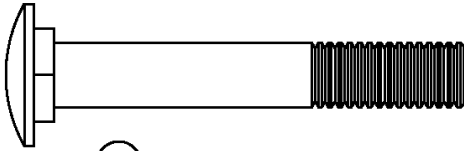




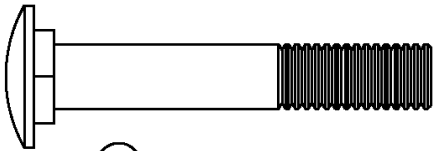
⑤⑥ M10 x 3 1/2" x 4



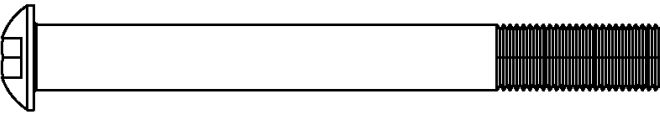
⑤⑦ M10 x 2 3/4" x 2



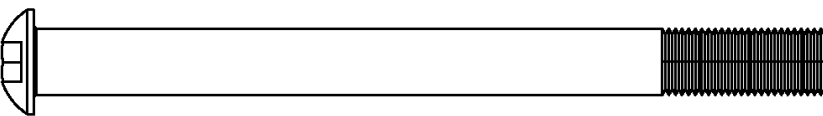
⑤⑧ M10 x 2 1/2" x 1



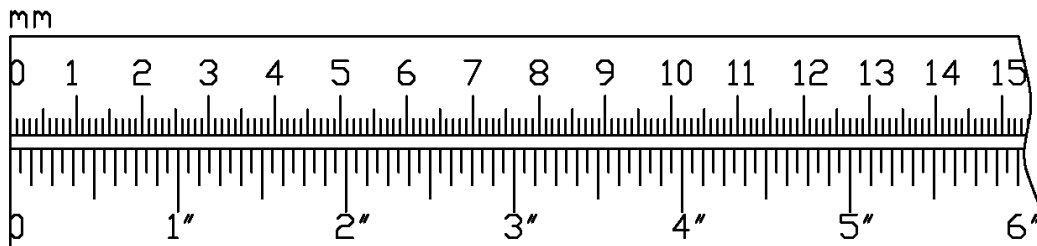
⑤⑨ M10 x 2 3/8" x 2

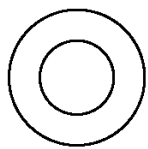
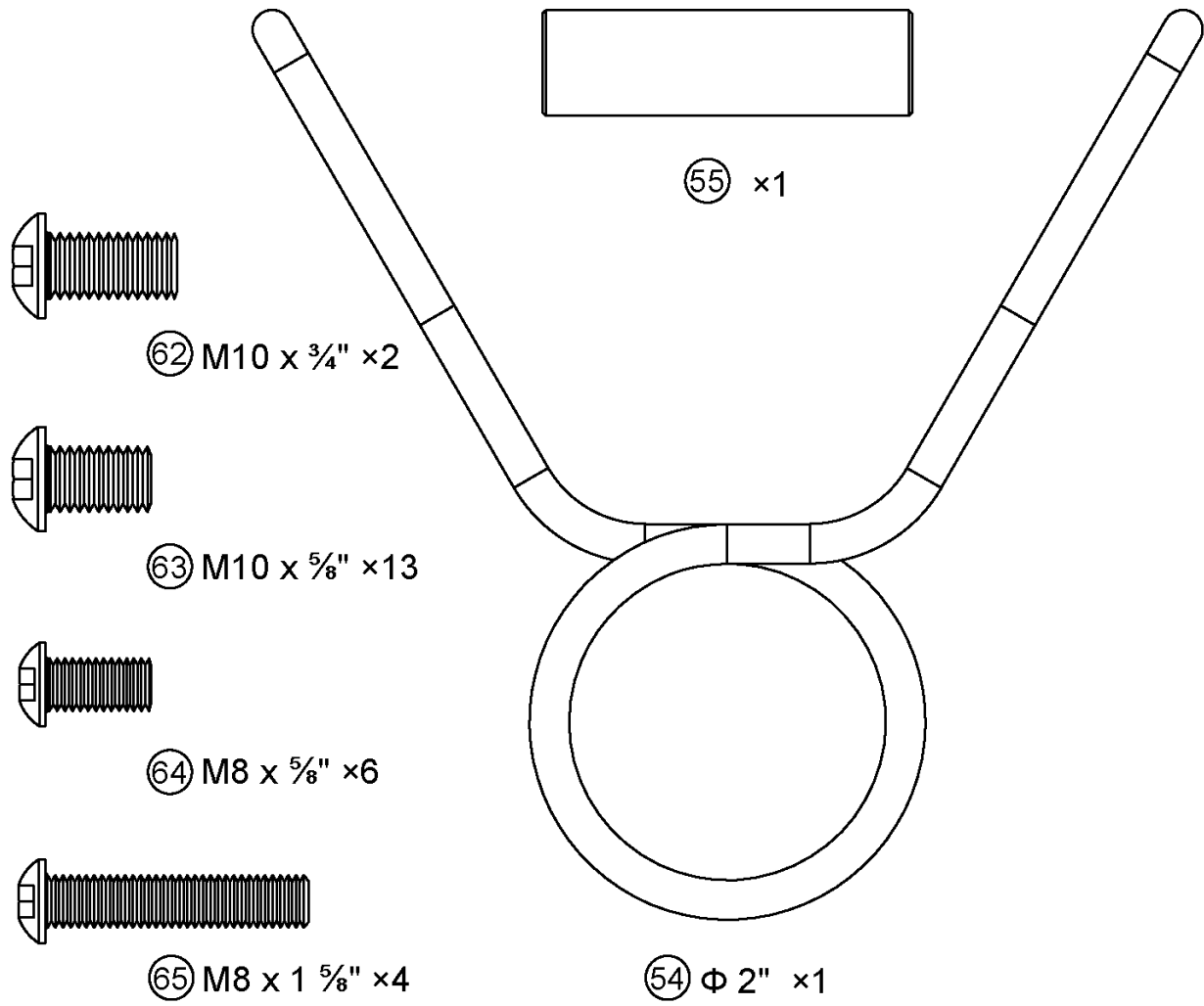


⑥⑩ M10 x 3 3/4" x 2

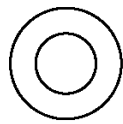


⑥① M10 x 4 3/4" x 1





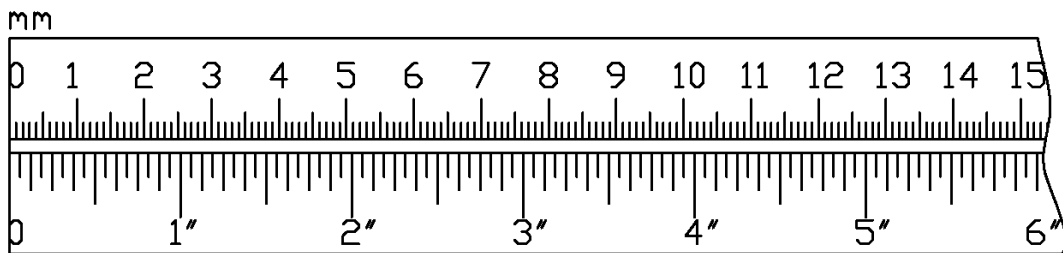
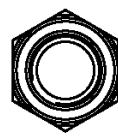
(66) Ø 3/4" x 30

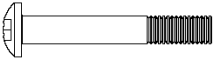
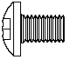




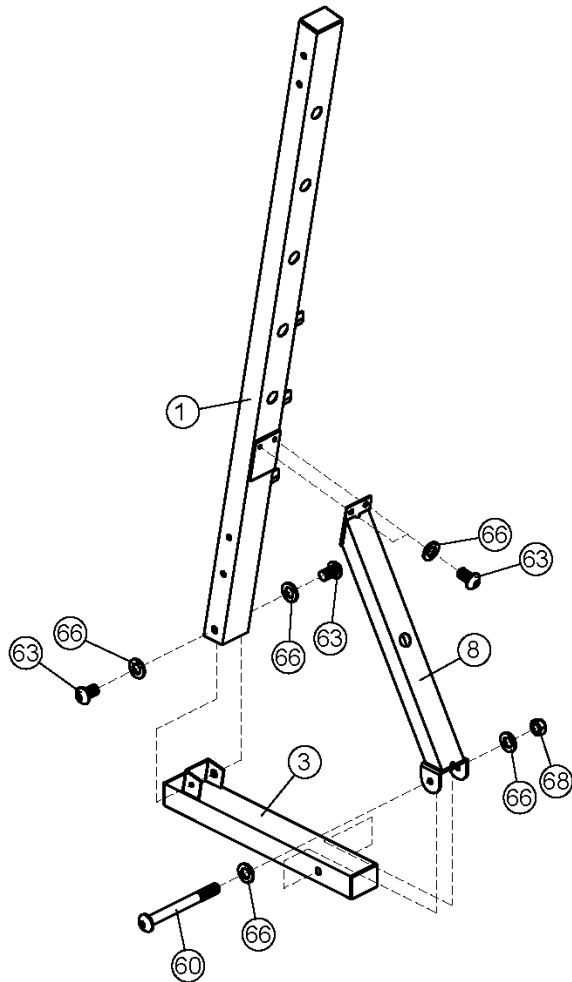
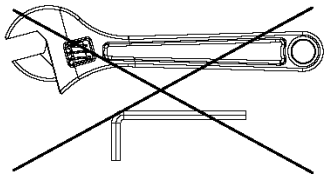
(67) Ø 5/8" x 10



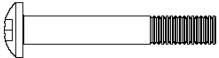
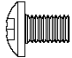


(68) M10 x 12

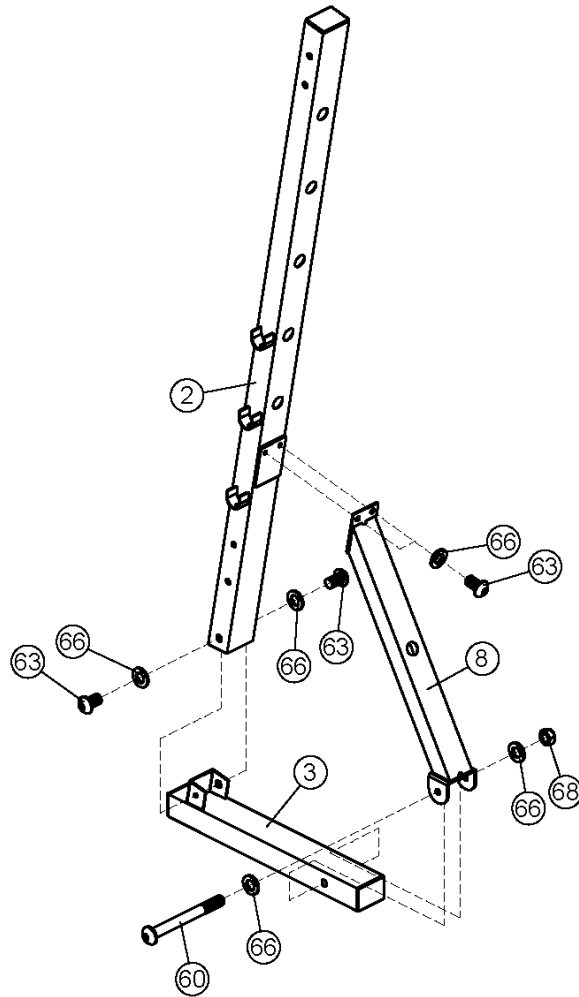
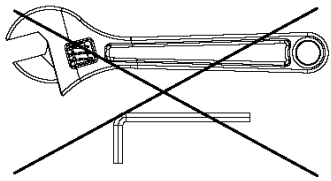


- | | | | | | | | |
|----|---|-----|------------|----|---|-----|-----------|
| 60 |  | × 1 | M10×3 3/4" | 63 |  | × 4 | M10× 5/8" |
| 66 |  | × 6 | Φ 3/4" | 68 |  | × 1 | M10 |

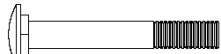


1

- | | | | | | | | |
|----|---|-----|------------|----|---|-----|-----------|
| 60 |  | × 1 | M10×3 3/4" | 63 |  | × 4 | M10× 5/8" |
| 66 |  | × 6 | Φ 3/4" | 68 |  | × 1 | M10 |



56



× 4

M10×3 1/2"

66



× 4

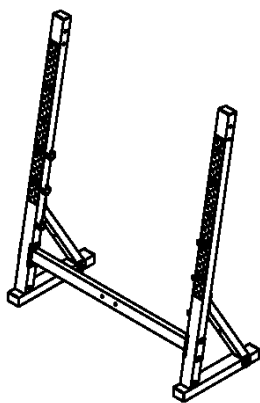
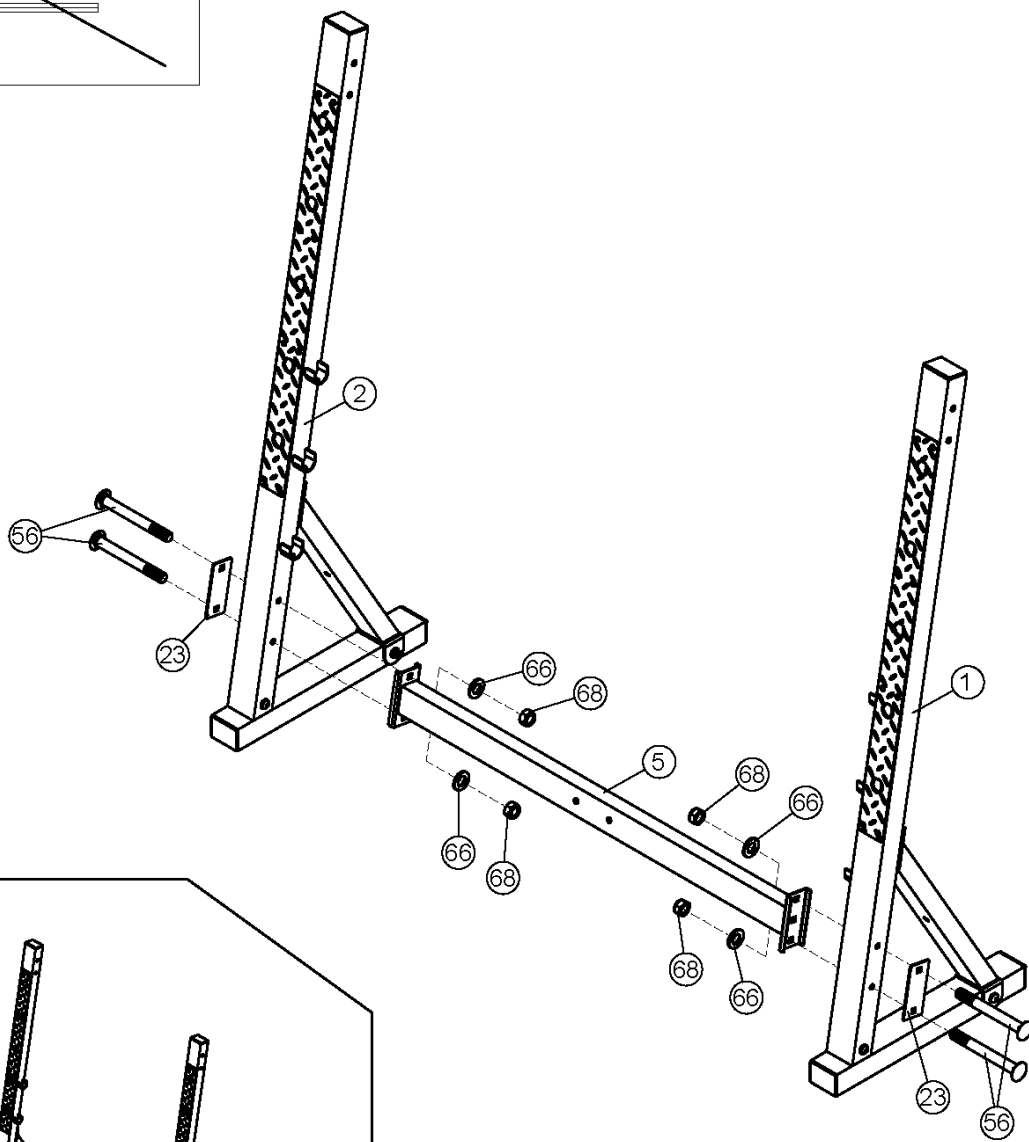
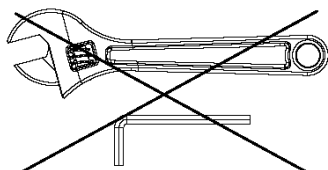
Φ 3/4"

68



× 4

M10



3

63



x 3

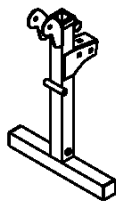
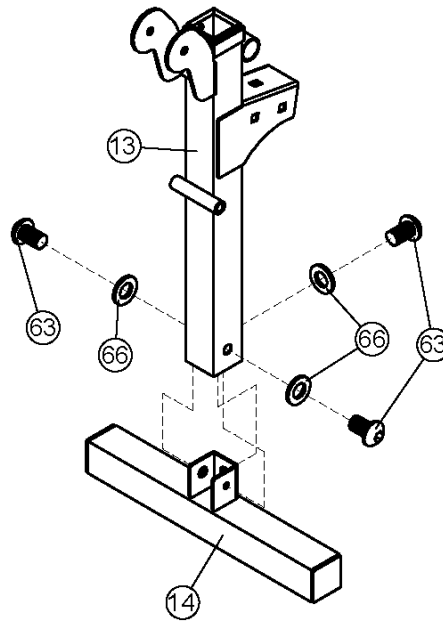
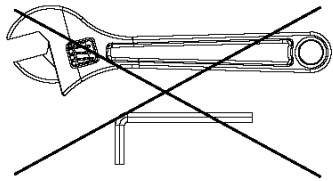
M10 x 5/8"

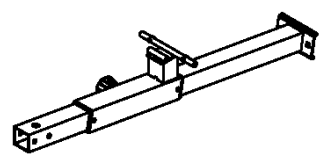
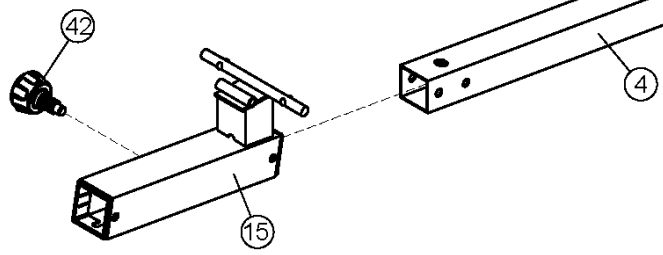
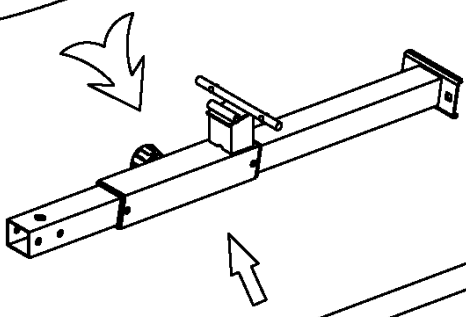
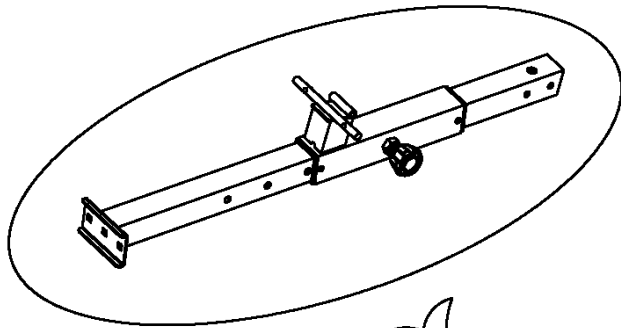
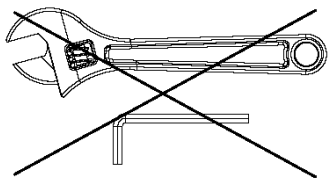
66



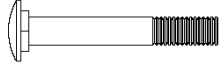

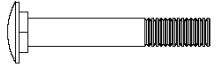
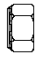
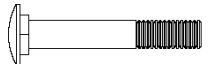
x 3

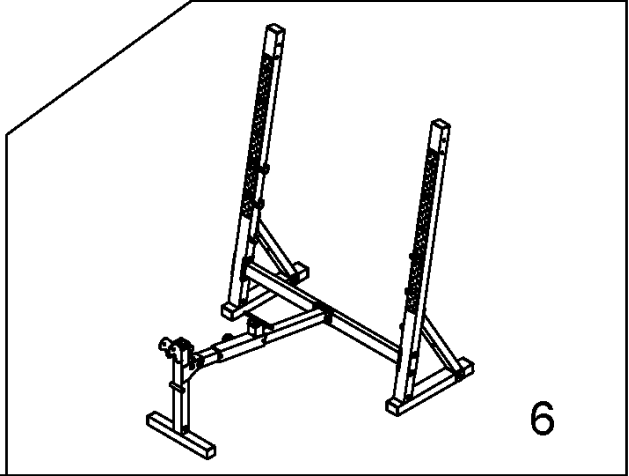
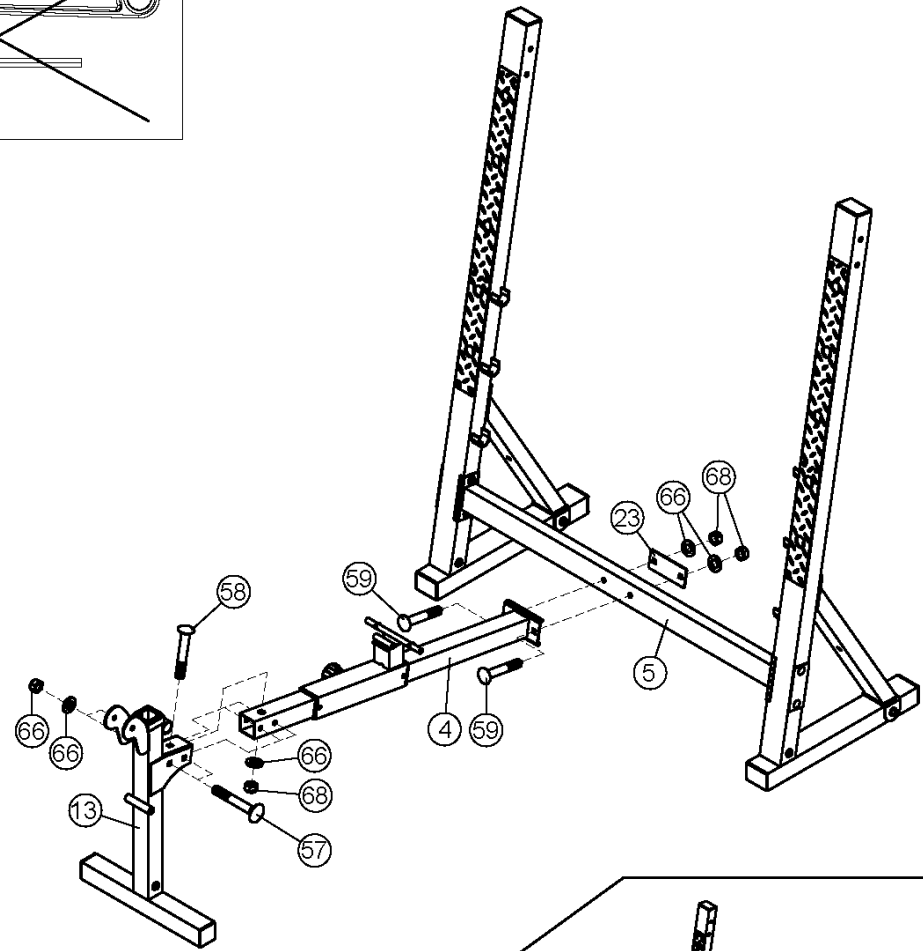
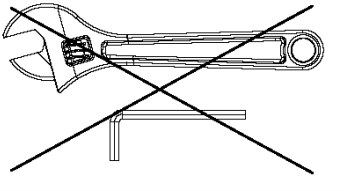
Φ 3/4"




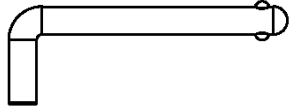




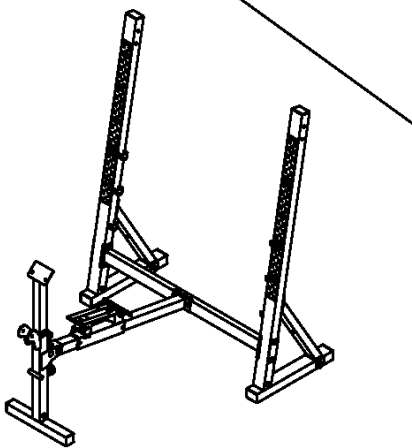
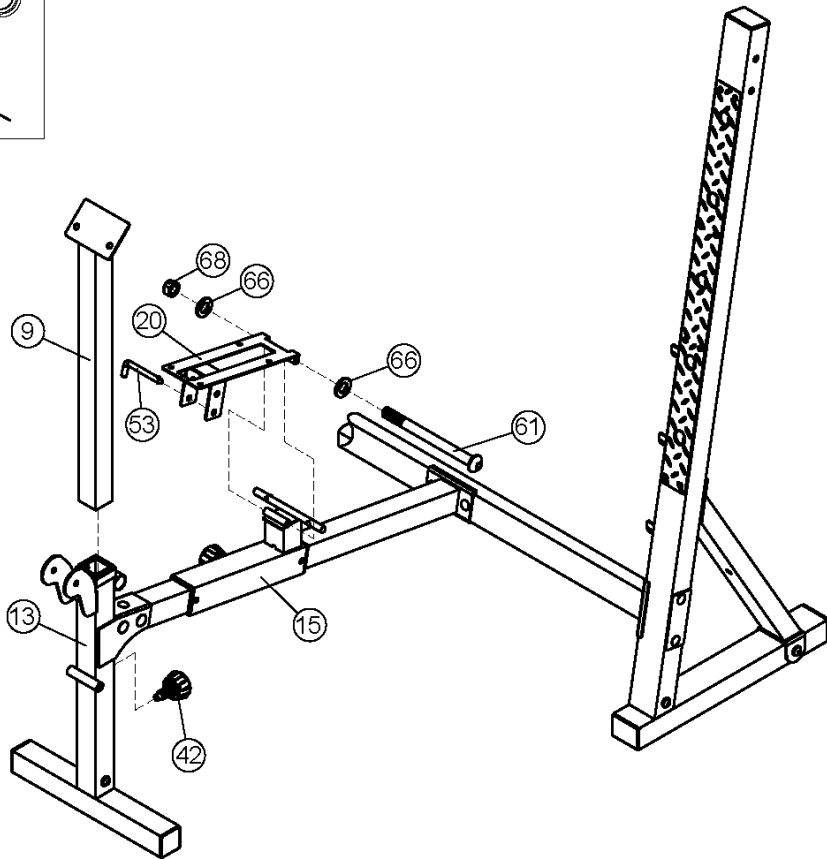
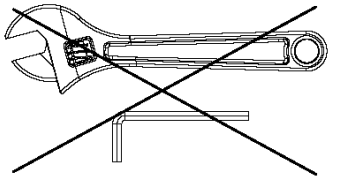




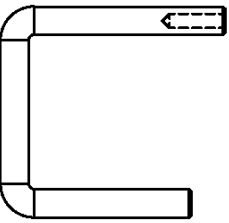


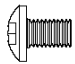

5

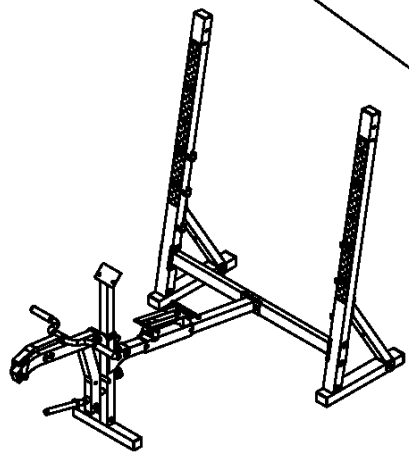
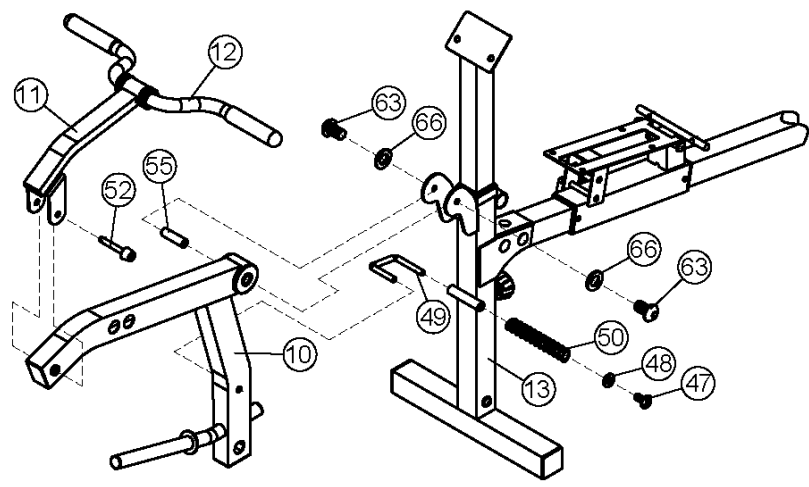
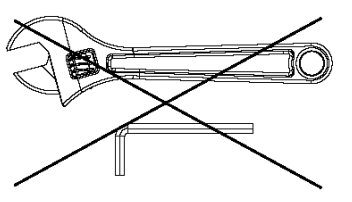
- | | | | | | | | |
|------|---|-----|------------|------|---|-----|--------|
| (57) |  | × 2 | M10×2 3/4" | (66) |  | × 5 | Φ 3/4" |
| (58) |  | × 1 | M10×2 1/2" | (68) |  | × 5 | M10 |
| (59) |  | × 2 | M10×2 3/8" | | | | |



- (61)  × 1 M10×4 3/4" (66)  |  × 2 Φ 3/4"
 (53)  × 1 Φ 3/8"×4" (68)   × 1 M10



- | | | | | | |
|----|---|---------------|----|--|----------------|
| ④7 |  | × 1 M6 × 1/2" | ④8 |  | × 1 Φ 1/2" |
| ④9 |  | × 1 | ⑤0 |  | × 1 |
| ⑤5 |  | × 1 | ⑥3 |  | × 2 M10 × 5/8" |
| | | | ⑥6 |  | × 2 Φ 3/4" |



65

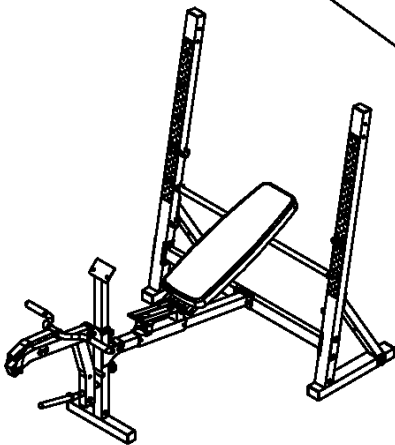
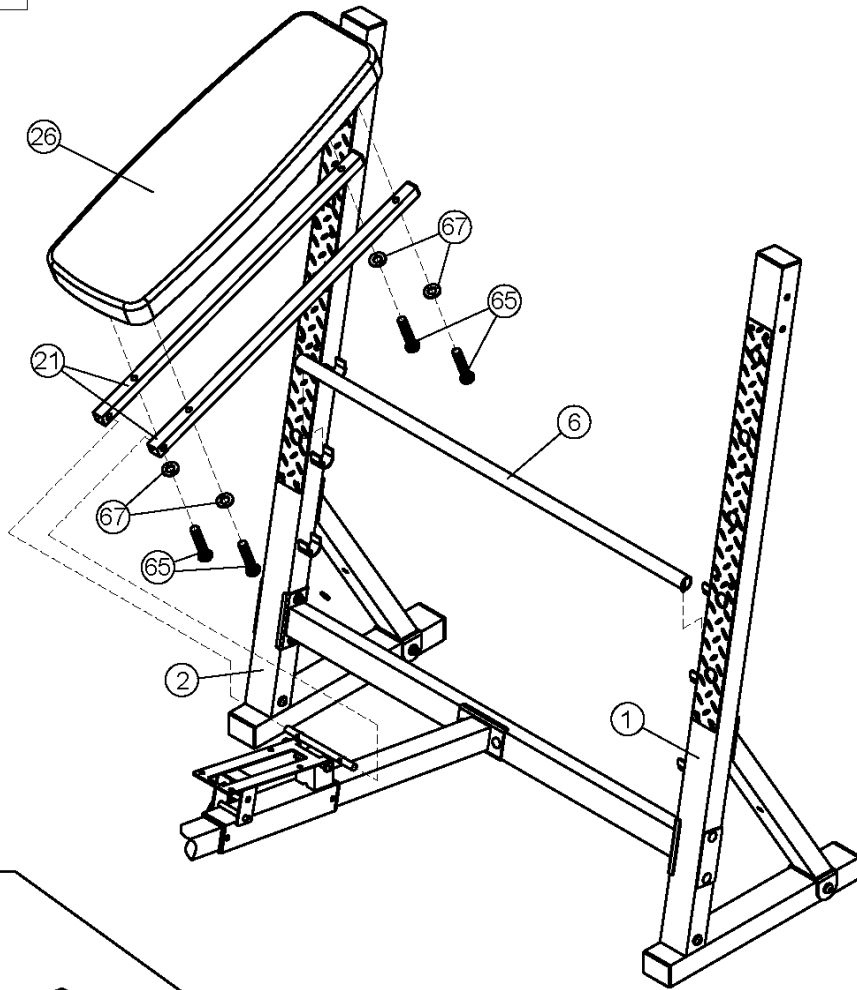
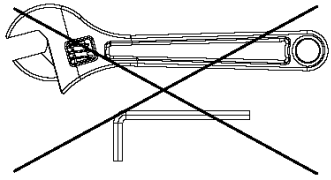


x 4 M8x1 5/8"

67



x 4 Φ 5/8"



9

64

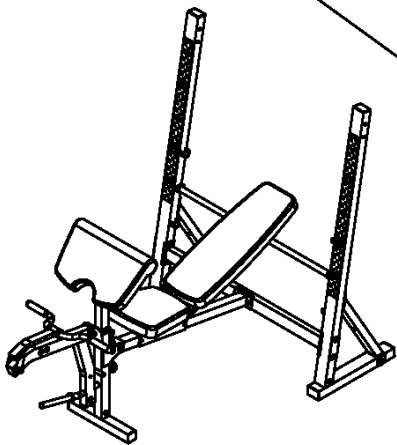
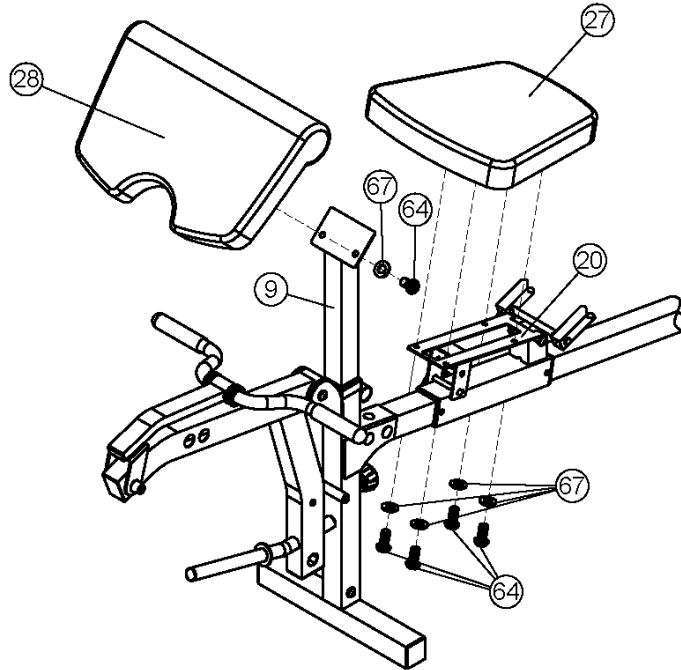
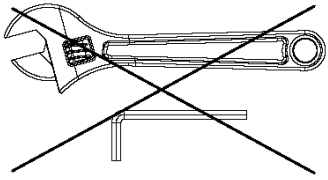


× 6 M8 × 5/8"

67



× 6 Φ 5/8"



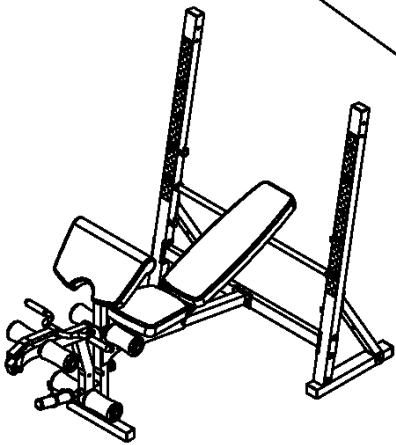
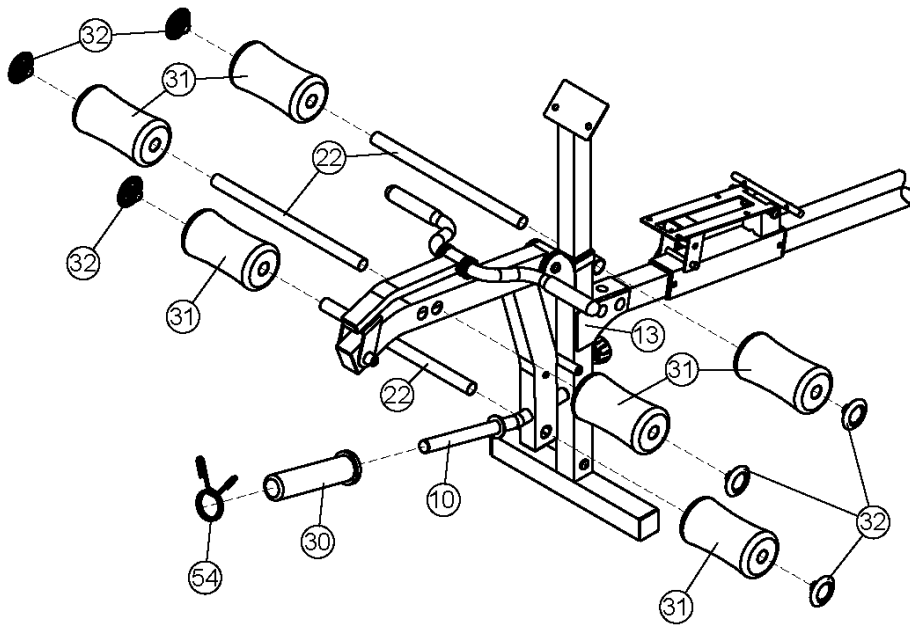
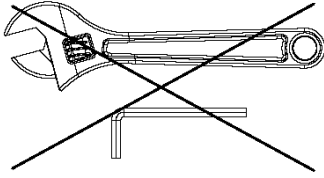
10

54

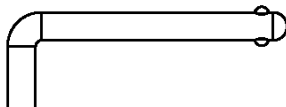


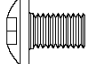


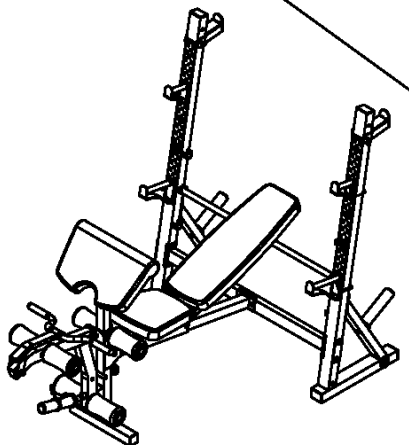
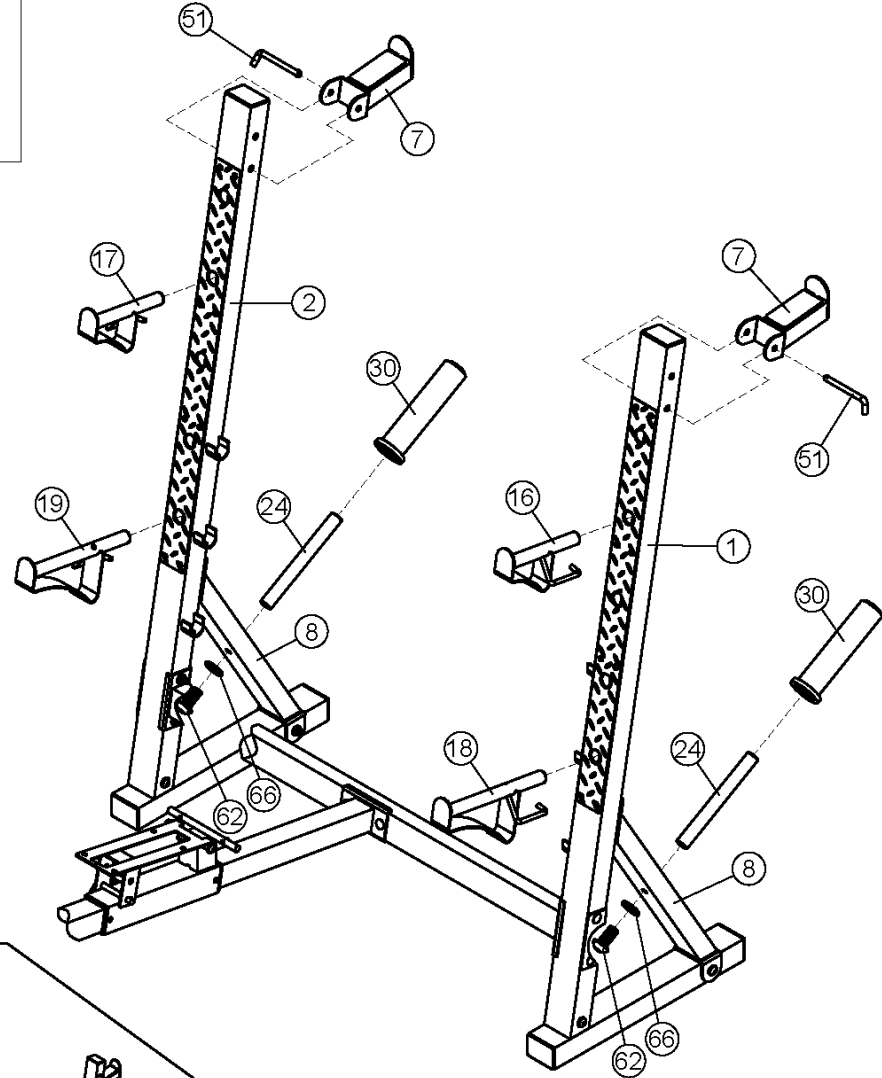
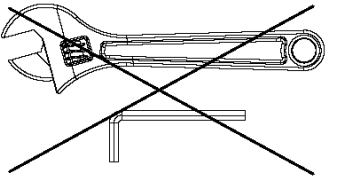
x 1

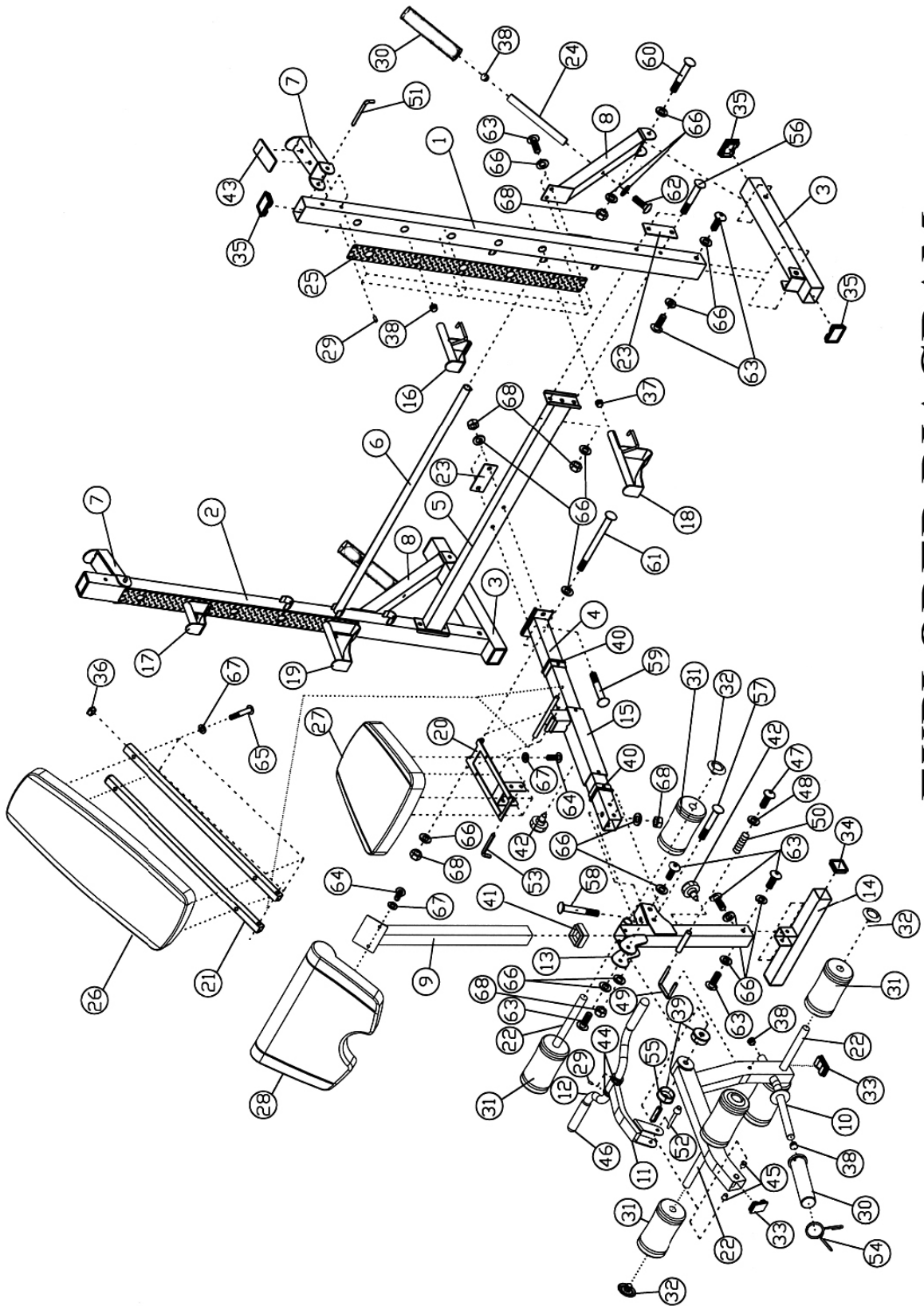
Φ2"



11

- 51  × 2 $\Phi\frac{3}{8}'' \times 4\frac{1}{2}''$ 66  |  × 2 $\Phi\frac{3}{4}''$
 62  × 2 M10 × $\frac{3}{4}''$





EXPLODED DIAGRAM

IMPEX® INC.

2801 S. Towne Ave, Pomona, CA 91766

Tel: (800) 999-8899 Fax: (626) 961-9966

www.marcypro.com

support@impex-fitness.com