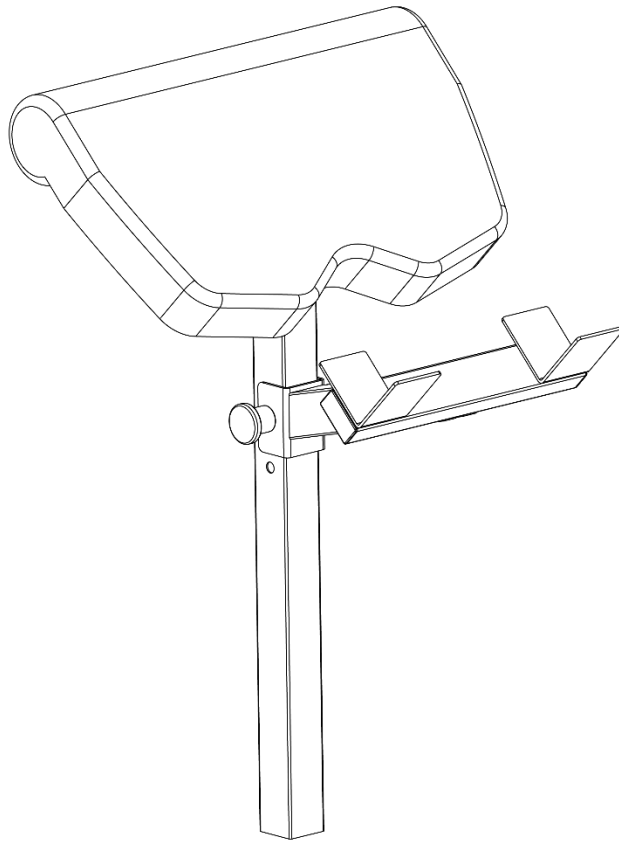


MARCY[®]

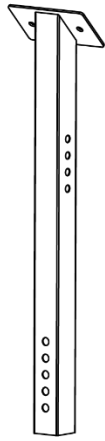
LEG DEVELOPER ACC-8215AC



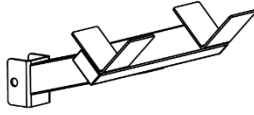
IMPORTANT: Please read the Important Safety Notice and Assembly Information in the Owner's manual before assembling this product.

Assembly Manual

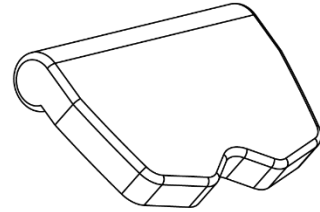
240729



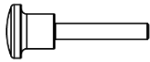
1 X 1



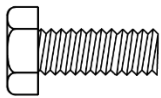
2 X 1



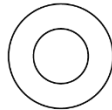
3 X 1



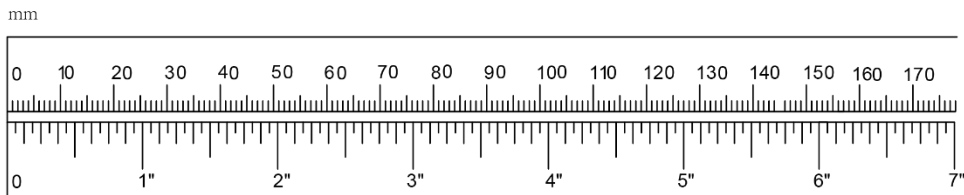
4 X 1



5 X 2



6 X 2



5 X 8

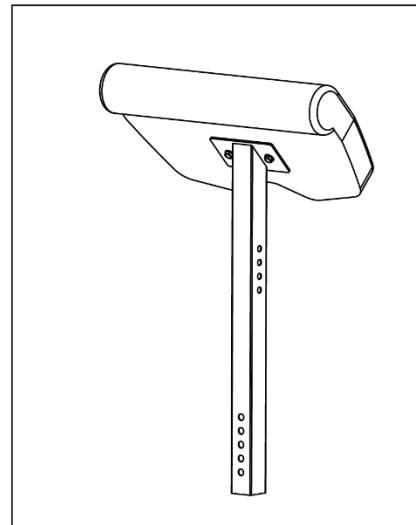
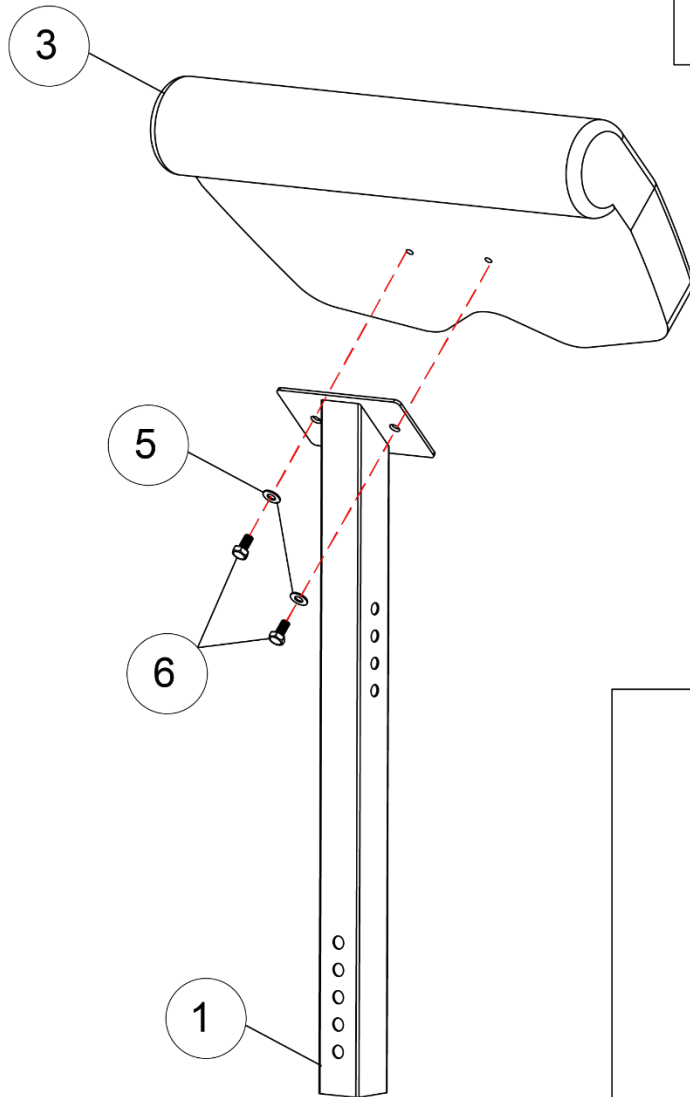
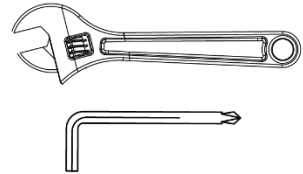


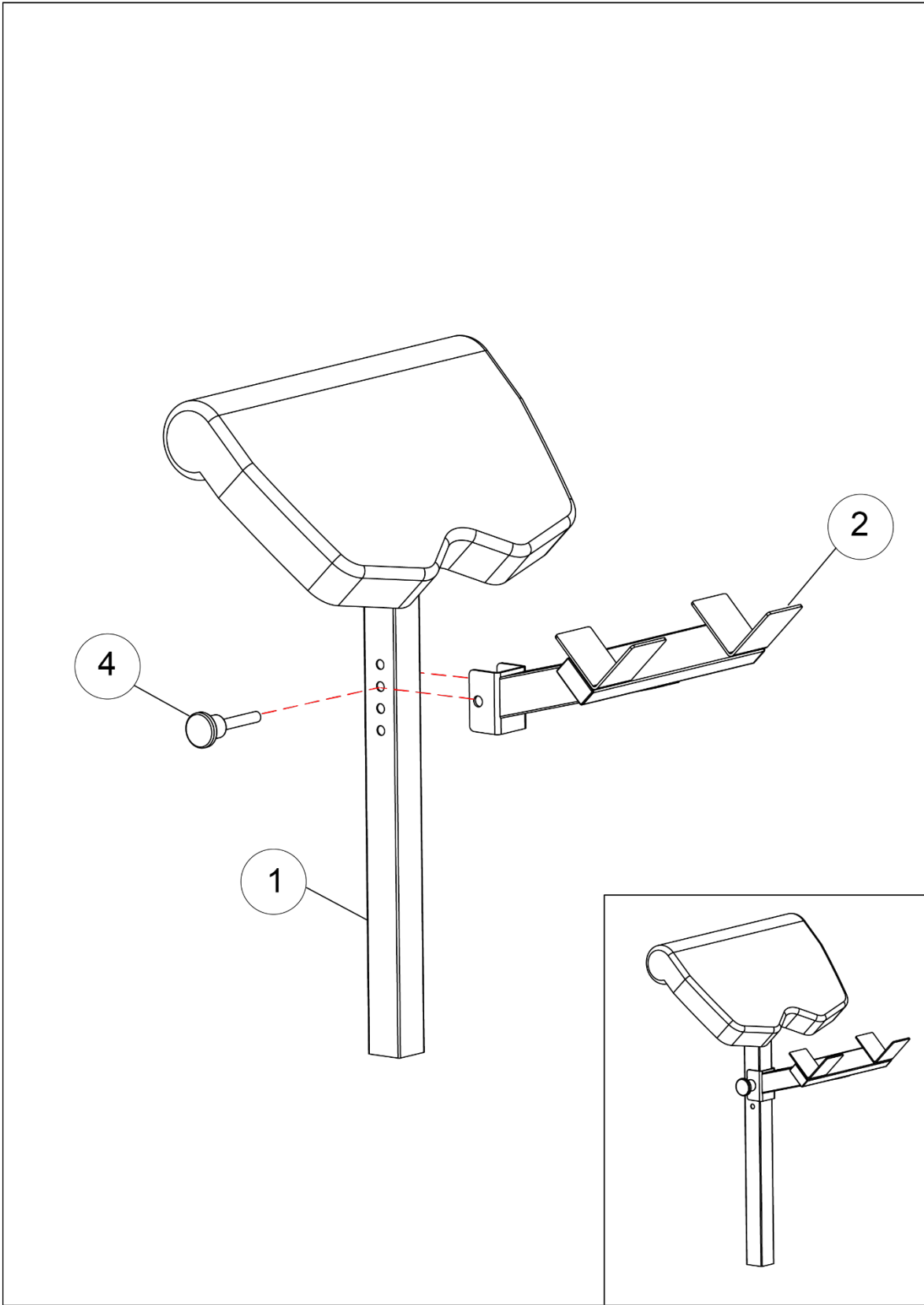
$\varnothing \frac{5}{8}$ "

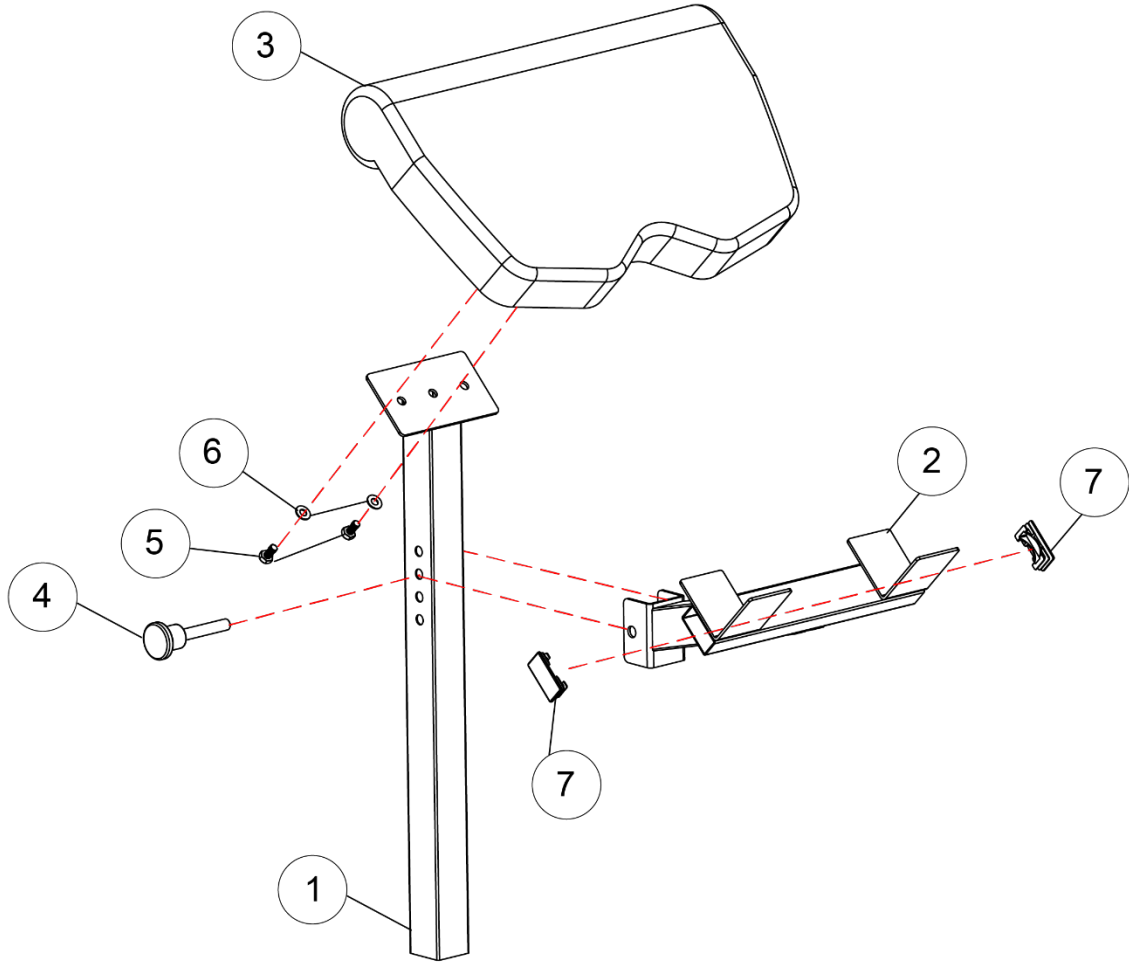
6 X 8



$\varnothing \frac{5}{8}$ "







IMPEX® INC.

2801 South Towne Avenue, Pomona, California 91766

Tel: (800) 999-8899 Fax: (626) 961-9966

www.marcypro.com

support@impex-fitness.com