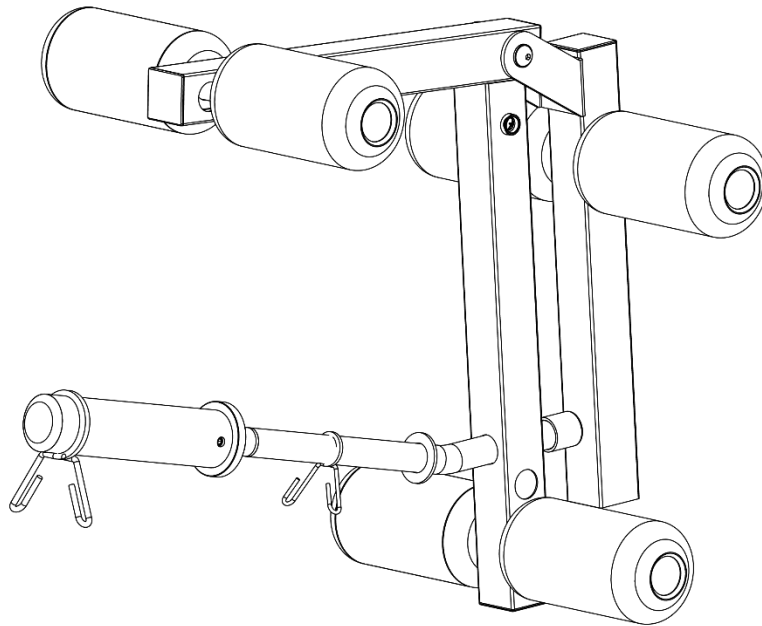


# MARCY<sup>®</sup>

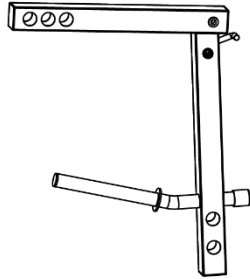
## LEG DEVELOPER ACC-8116LD



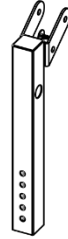
**IMPORTANT:** Please read the Important Safety Notice and Assembly Information in the Owner's manual before assembling this product.

**Assembly Manual**

240729



① X 1



② X 1



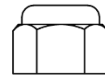
③ X 3



④ X 6



⑤ X 1



⑦ X 1



⑧ X 2



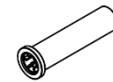
⑨ X 1



⑩ X 1



⑯ X 6



⑱ X 1

5 X 1



M10 x 3"

7 X 1

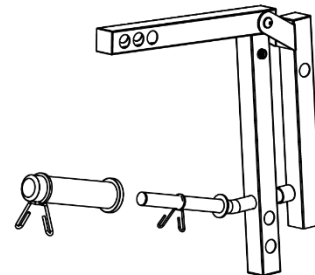
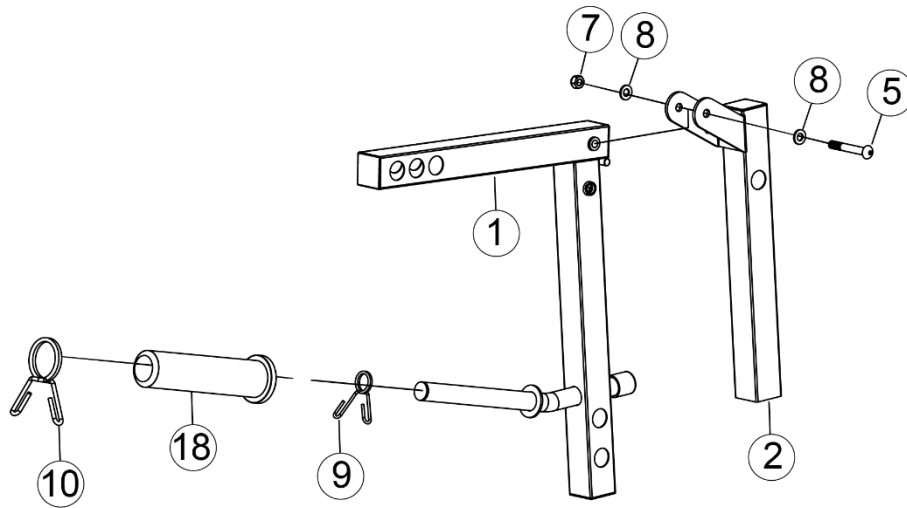
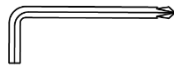
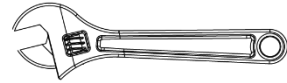


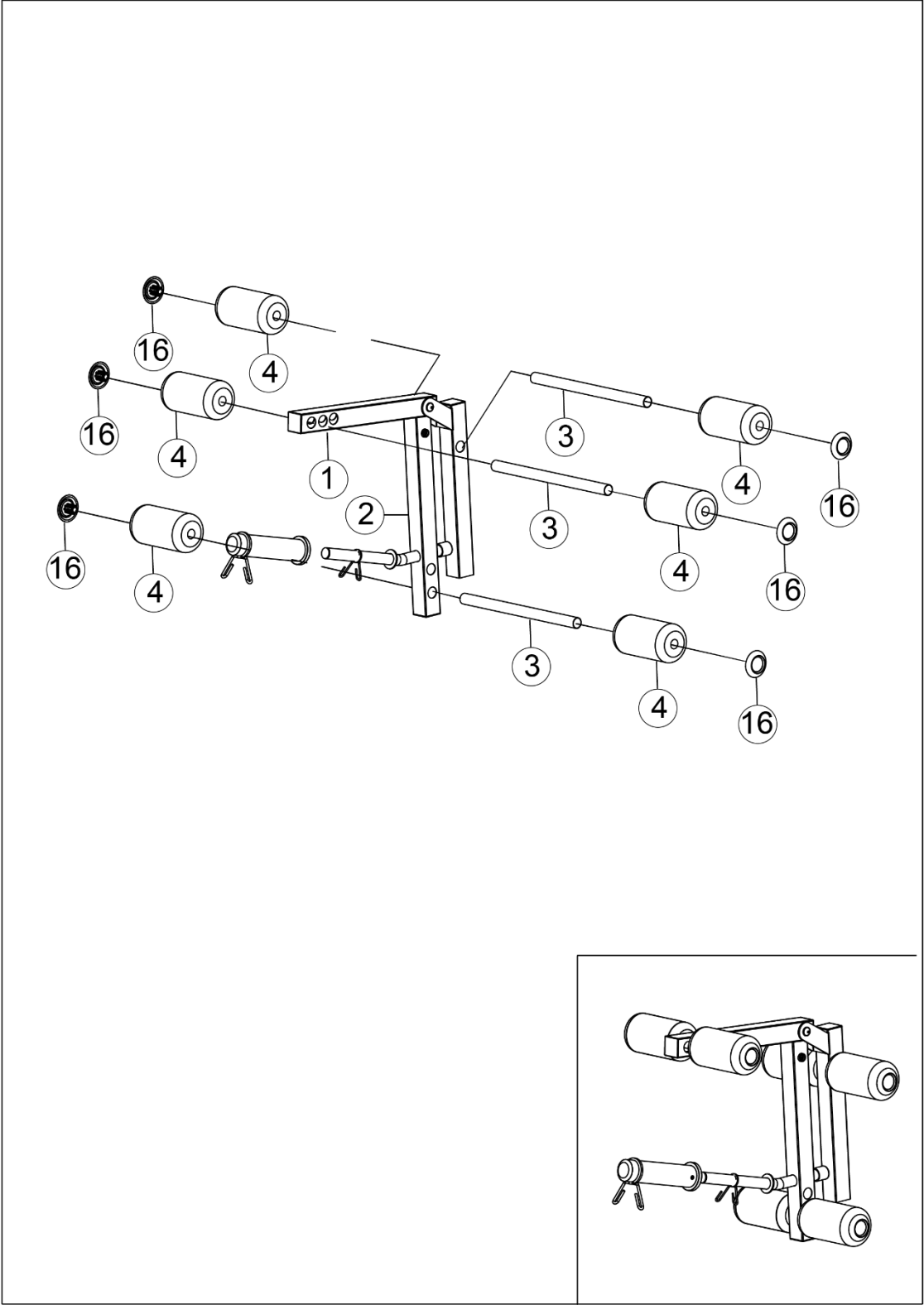
M10

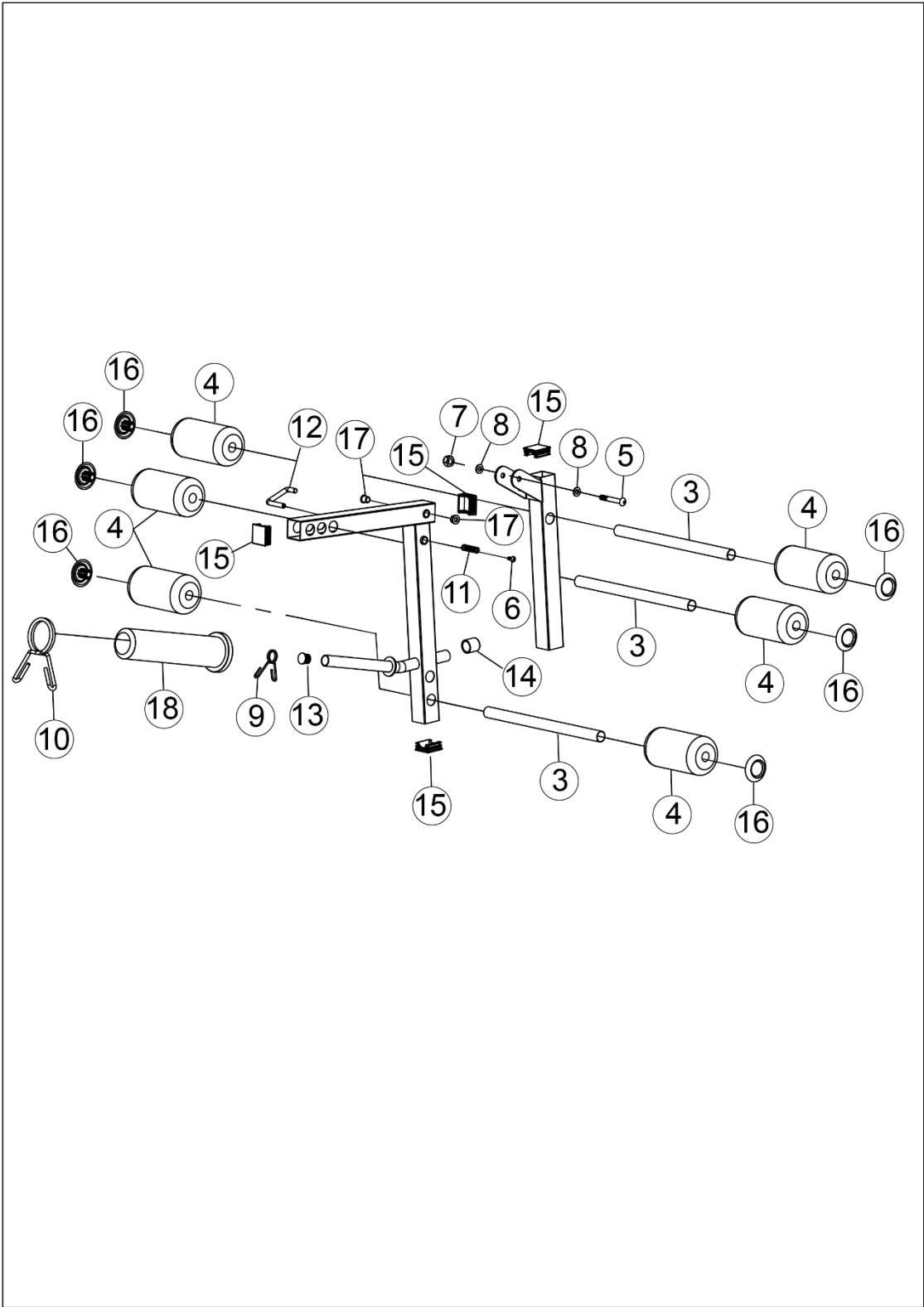
8 X 2



Ø 3/4"







**IMPEX® INC.**

2801 South Towne Avenue, Pomona, California 91766

Tel: (800) 999-8899 Fax: (626) 961-9966

[www.marcypro.com](http://www.marcypro.com)

[support@impex-fitness.com](mailto:support@impex-fitness.com)