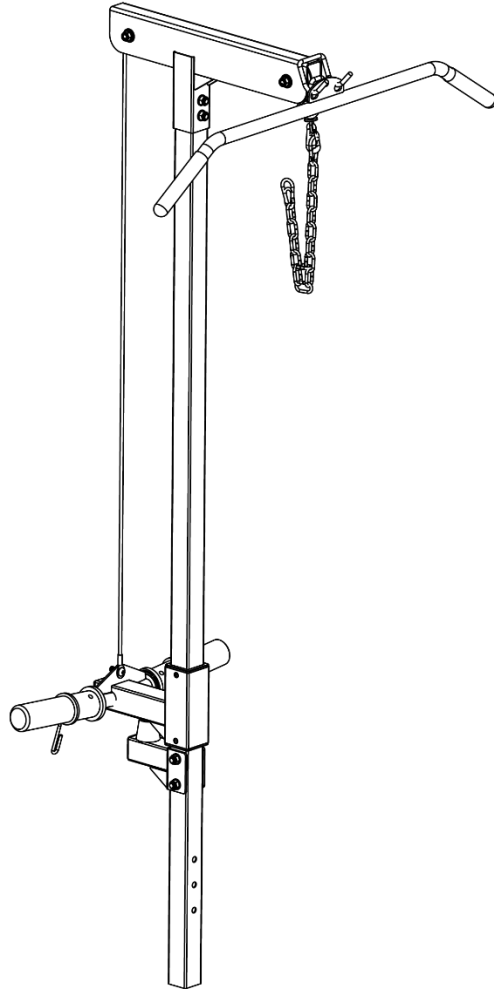


MARCY®

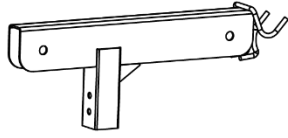
LAT TOWER ACC-8048LT



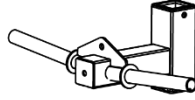
IMPORTANT: Please read the Important Safety Notice and Assembly Information in the Owner's manual before assembling this product.

Assembly Manual

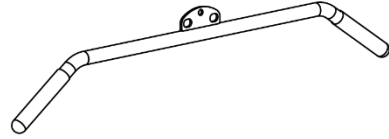
240729



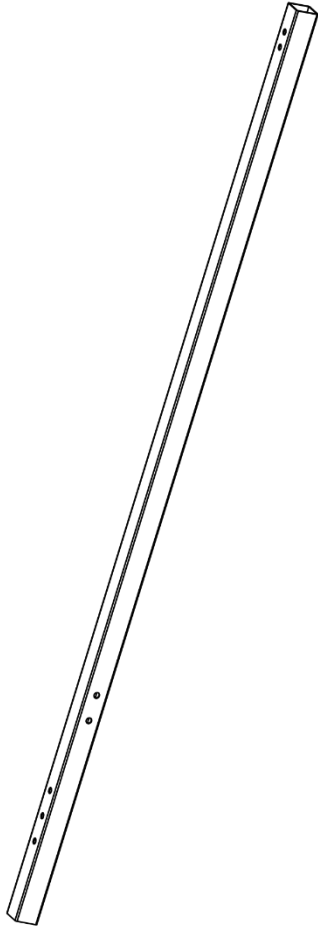
1 X 1



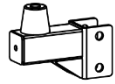
2 X 1



3 X 1



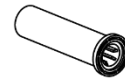
4 X 1



5 X 1



6 X 2



7 X 2



12 X 2



13 X 1



14 X 2



15 X 1



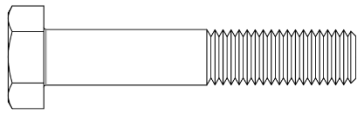
16 X 4



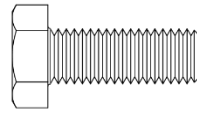
16 X 2



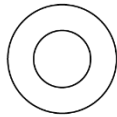
17 X 2



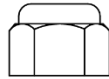
18 X 2



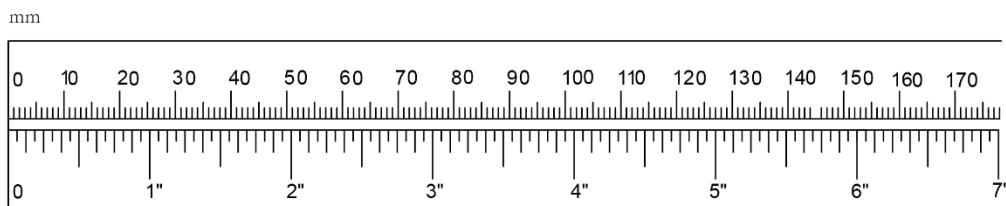
19 X 1



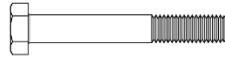
20 X 14



21 X 7



16 X 2



M10 x 2³/₄"

20 X 4

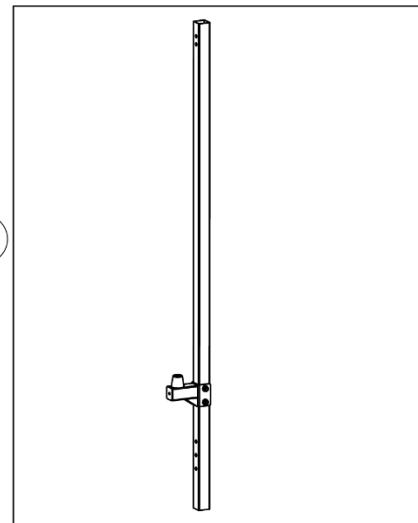
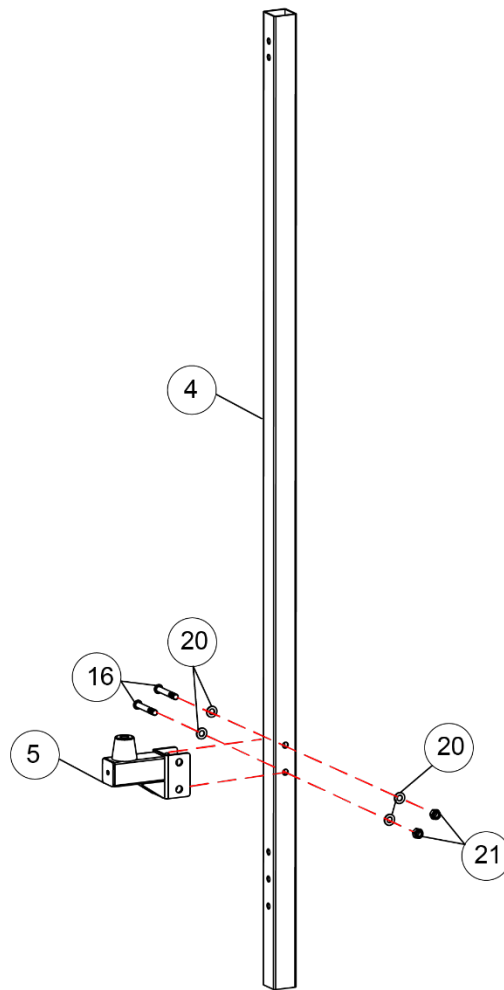
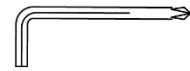
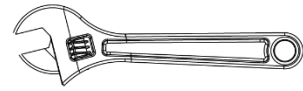


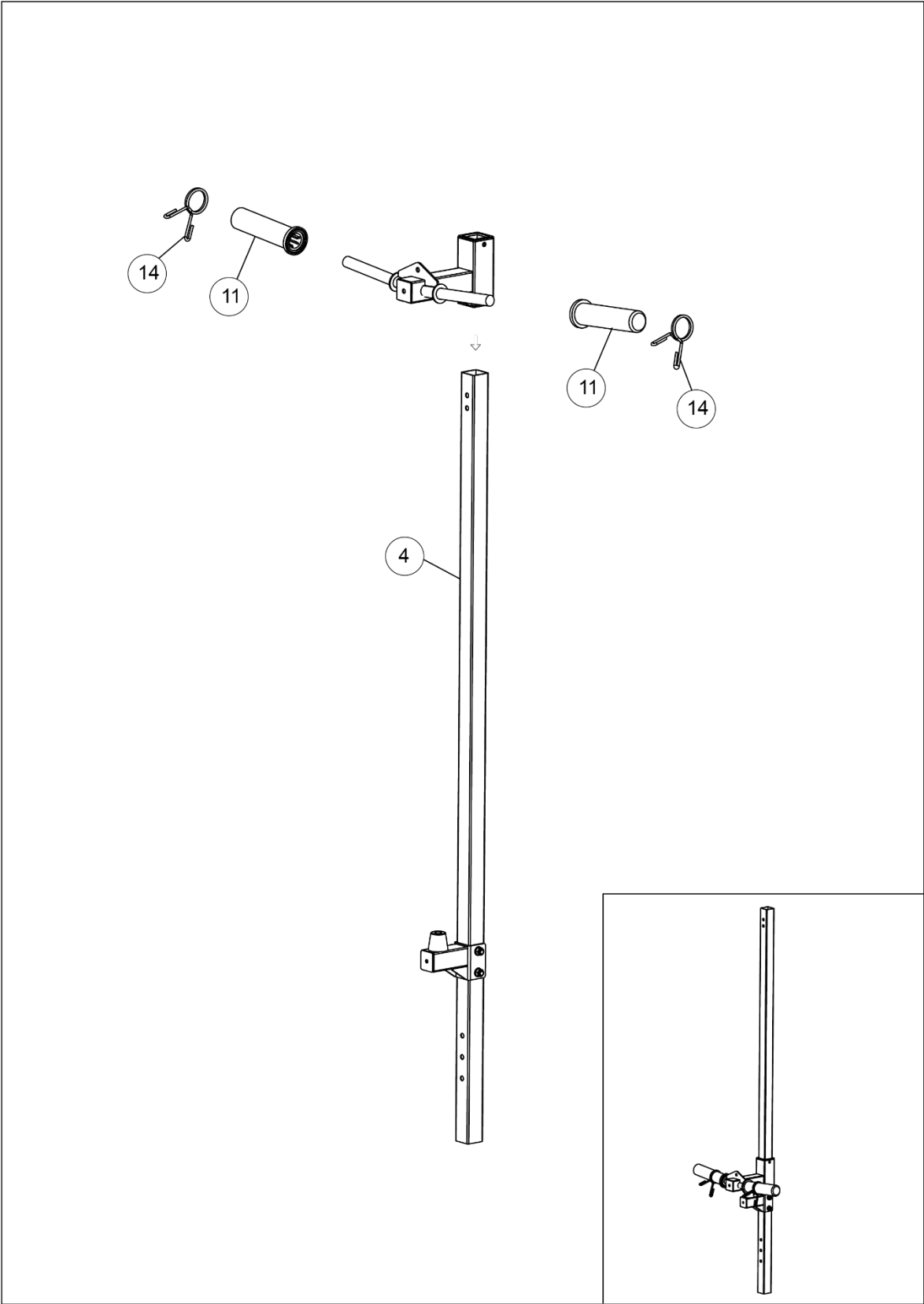
Ø³/₄"

21 X 2

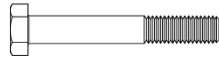


M10





17 X 2



M10 x 2¹/₂"

20 X 4

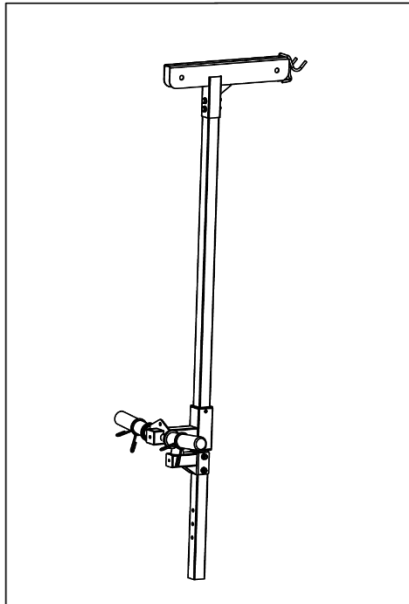
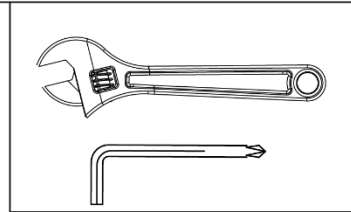
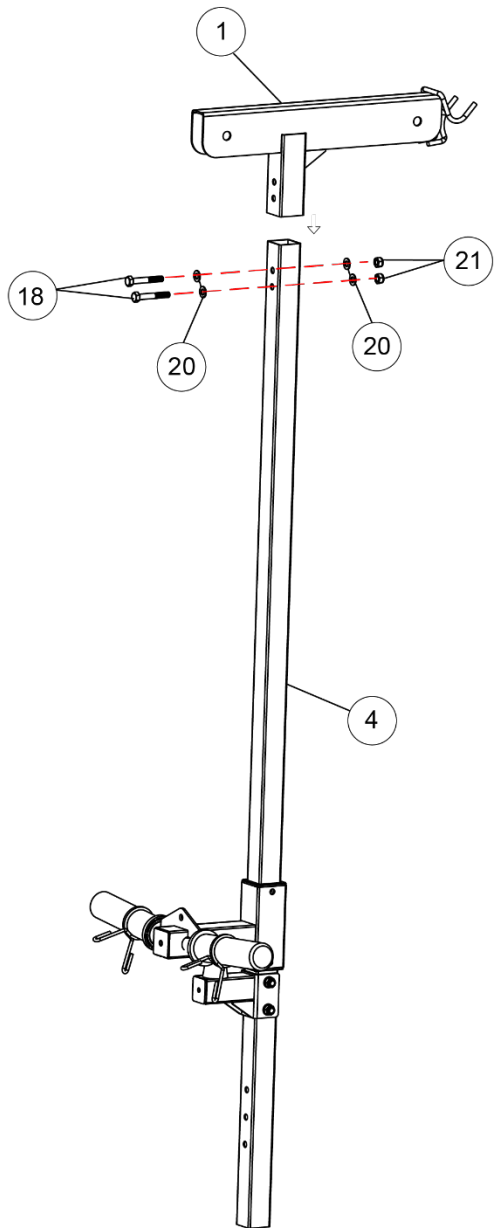


Ø 3/4"

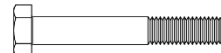
21 X 2



M10

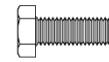


18 X 2



M10 x 2"

19 X 1



M10 x $\frac{5}{8}$ "

20 X 6

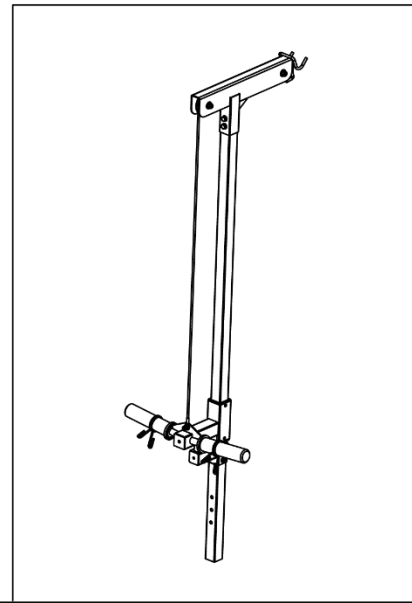
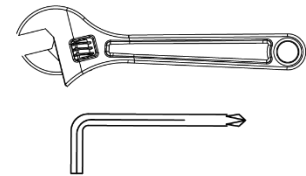
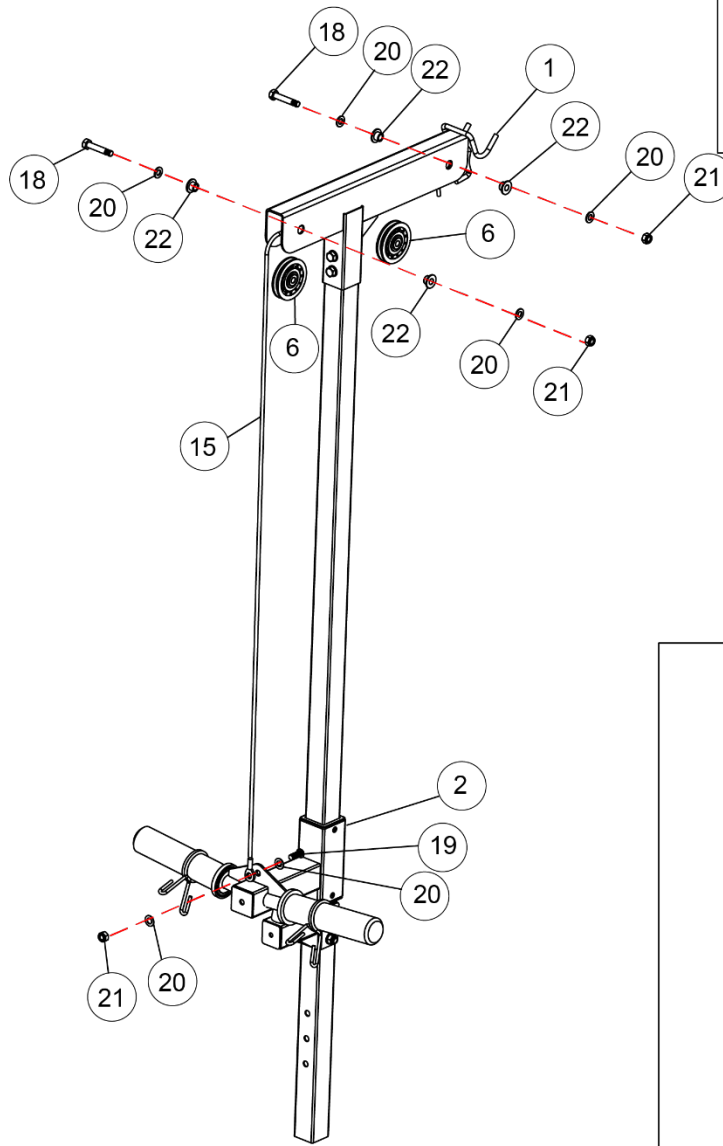


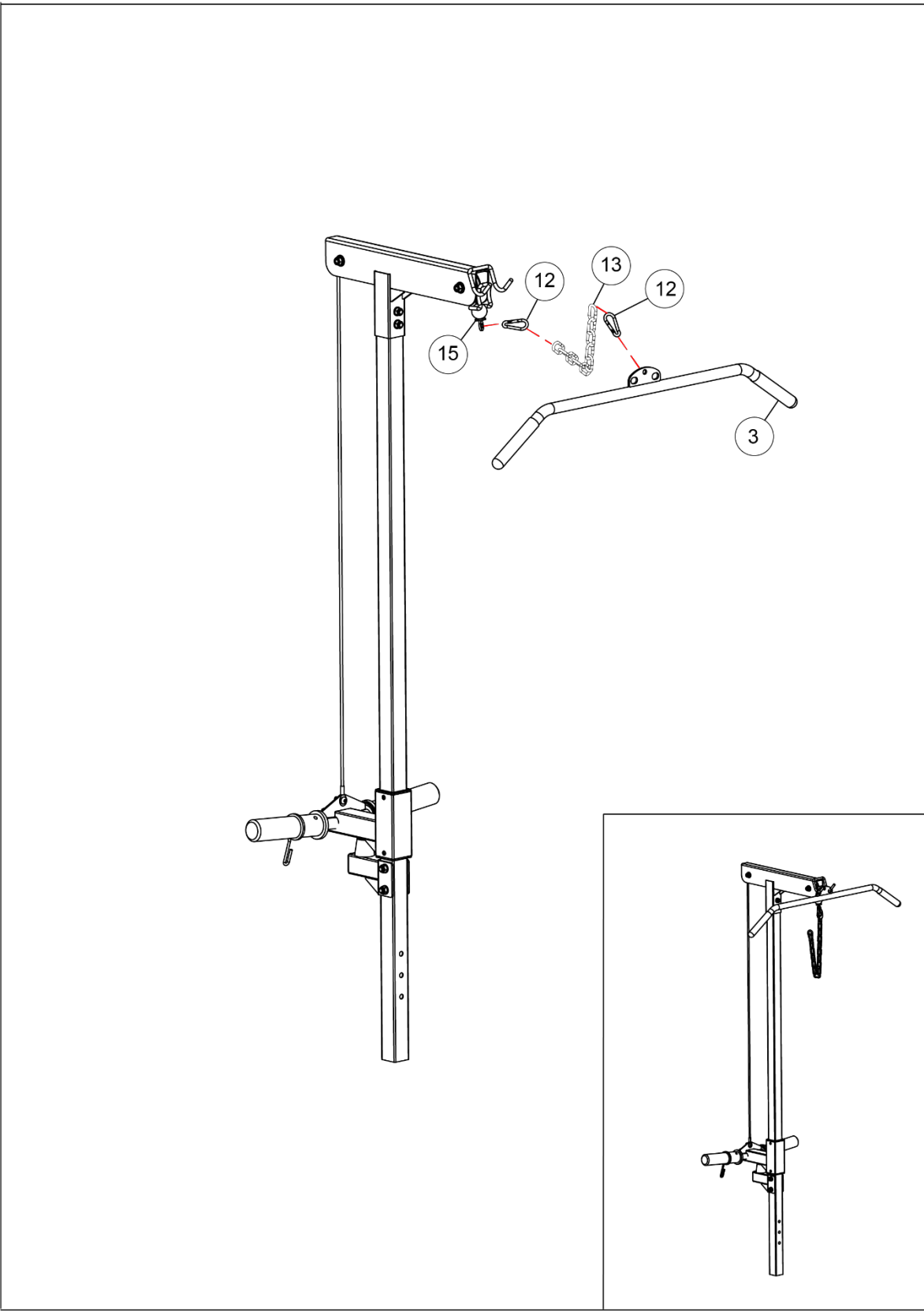
$\varnothing \frac{3}{4}$ "

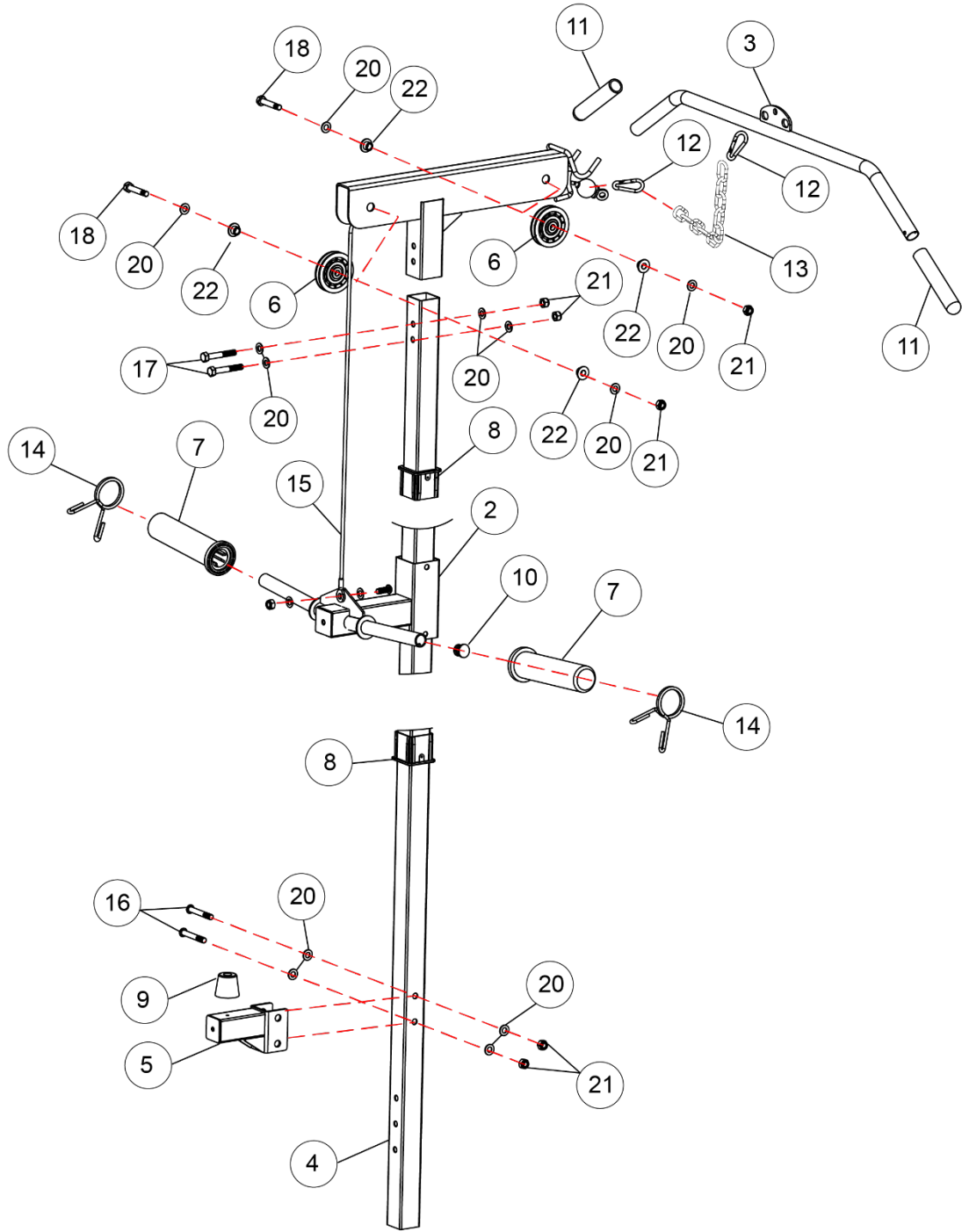
21 X 3



M10







IMPEX® INC.

2801 South Towne Avenue, Pomona, California 91766

Tel: (800) 999-8899 Fax: (626) 961-9966

www.marcypro.com

support@impex-fitness.com