

MARCY[®] 3-Piece Olympic Bar TRB-84

IMPORTANT SAFETY NOTICE

1. A Spotter is recommended during exercise with this weight set for your safety.
2. This weight set is intended to be used indoors.
3. Keep children and pets away from the equipment at all times. DO NOT leave children unattended in the same room with the equipment.
4. Only one person at a time should use the equipment.
5. If the user experiences dizziness, nausea, chest pain, or any other abnormal symptoms, STOP the workout at once. CONSULT A PHYSICIAN IMMEDIATELY.
6. Position the weight set on a clear, leveled surface.
7. Always wear appropriate workout clothing when exercising.
8. Disabled person should not use the weight set without a qualified person or physician in attendance.
9. Before exercising, always do stretching exercises to properly warm up.
10. Never operate the equipment if the weight set is not functioning properly.
- 11. Maximum weight on weight bar is 300 lbs.**
12. Do not add additional weights or any items to the weight bar not specifically designed for use with this weight set.
13. This weight set is designed and intended for home and consumer use only, not for commercial use.
14. **When installing the roll pins, please make sure the weight plates are NOT loaded on the weight bar. Place a solid surface under the bar at the connectors as you install the roll pins.**

Care and Maintenance

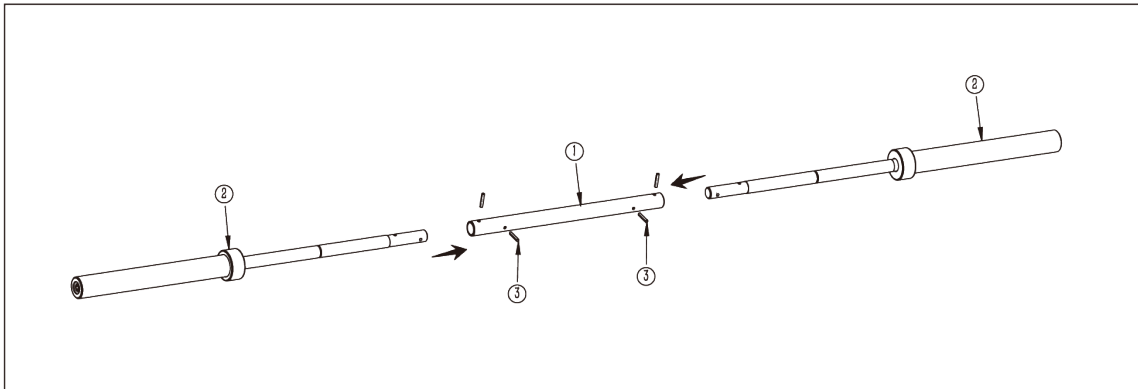
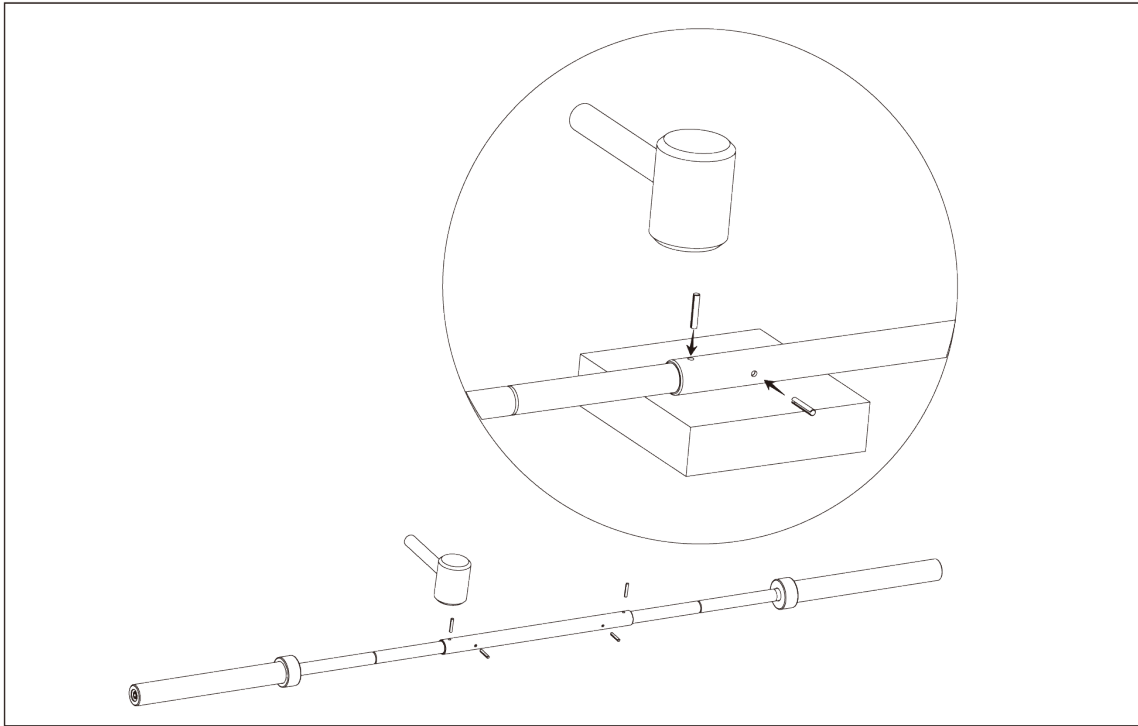
1. Periodically inspect all parts. Check bolts twice monthly during the usage season for tightness and tighten as required.
2. Replace any worn and damaged parts immediately.
3. Use mild household spray cleaners and/or a damp rag to wipe clean. Do not use harsh cleaning chemicals.
4. Sand rusted areas on tubular members and repaint using a non-lead based paint meeting the requirements of Title 16 CFR Part 1303.
5. Disposal Instructions – The equipment can be safely disassembled and disposed without unreasonable hazards. Call your local recycle agency regarding details of recycling.

SAVE THE INSTRUCTIONS.

WARNING: BEFORE BEGINNING ANY EXERCISE PROGRAM, CONSULT YOUR PHYSICIAN. THIS IS ESPECIALLY IMPORTANT FOR INDIVIDUALS OVER THE AGE OF 35 OR PERSONS WITH PRE-EXISTING HEALTH PROBLEMS. READ ALL INSTRUCTIONS BEFORE USING ANY FITNESS EQUIPMENT. IMPEX INC. ASSUMES NO RESPONSIBILITY FOR PERSONAL INJURY OR PROPERTY DAMAGE SUSTAINED BY OR THROUGH THE USE OF THIS PRODUCT.

IMPEX[®] INC.
2801 S. Towne Ave.
Pomona, CA 91766
240510

Phone: 1-800-999-8899
Fax: (626) 961-9966
Email: support@impex-fitness.com



PARTS LIST

Key No	Description	Qty
1	Center Bar-1	1
2	Weight Bar-2	2
3	Roll Pin	4

IMPEX[®] INC.

LIMITED WARRANTY

IMPEX Inc. ("IMPEX[®]") warrants this product to be free from defects in workmanship and material, under normal use and service conditions, for a period of two years on the Frame from the date of purchase. This warranty extends only to the original purchaser. IMPEX's obligation under this Warranty is limited to replacing or repairing, at IMPEX's option.

All returns must be pre-authorized by IMPEX. Pre-authorization may be obtained by calling IMPEX Customer Service Department at 1-800-999-8899. All freights on products returned to IMPEX must be prepaid by the customer. This warranty does not extend to any product or damage to a product caused by or attributable to freight damage, abuse, misuse, improper or abnormal usage or repairs not provided by an IMPEX authorized service center or for products used for commercial or rental purposes. No other warranty beyond that specifically set forth above is authorized by IMPEX.

IMPEX is not responsible or liable for indirect, special or consequential damages arising out of or in connection with the use or performance of the product or other damages with respect to any economic loss, loss of property, loss of revenues or profits, loss of enjoyments or use, costs of removal, installation or other consequential damages of whatsoever natures. Some States do not allow the exclusion or limitation of incidental or consequential damages. Accordingly, the above limitation may not apply to you.

The warranty extended hereunder is in lieu of any and all other warranties and any implied warranties of merchantability or fitness for a particular purpose is limited in its scope and duration to the terms set forth herein. Some States do not allow limitations on how long an implied warranty lasts. Accordingly, the above limitation may not apply to you.

This warranty gives you specific legal right. You may also have other rights which vary from State to State.

Register online at www.marcypro.com.

IMPEX[®] INC.
2801 S. Towne Ave.
Pomona, CA 91766

ORDERING REPLACEMENT PARTS

Replacement parts can be ordered by calling our Customer Service Department toll-free at **1-800-999-8899** during our regular business hours: Monday through Friday, 9 a.m. to 5 p.m. Pacific standard time. **support@impex-fitness.com**

When ordering replacement parts, always give the following information.

1. Model
2. Description of Parts
3. Part Number
4. Date of Purchase