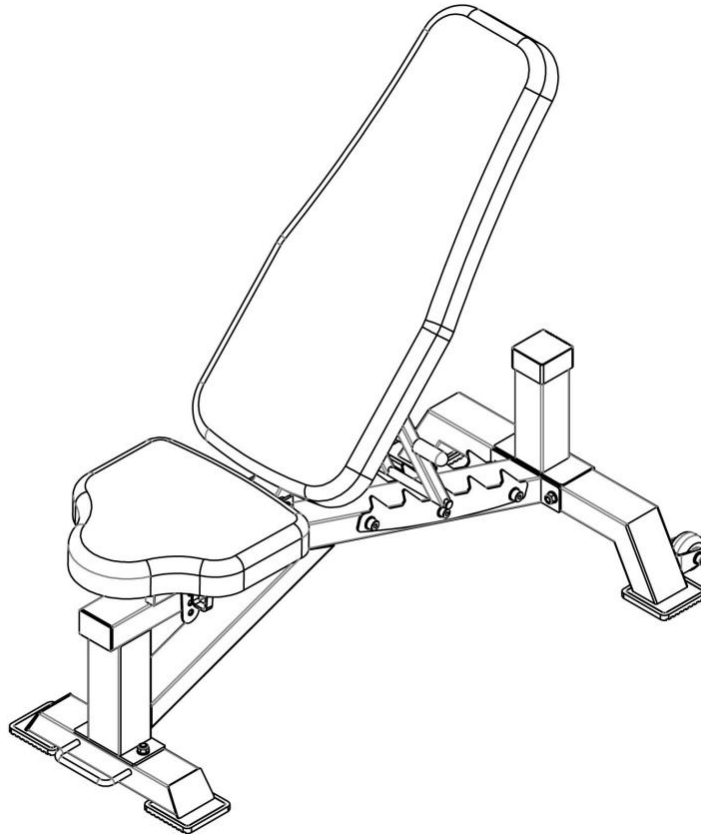


# MARCY<sup>®</sup>

## UTILITY BENCH

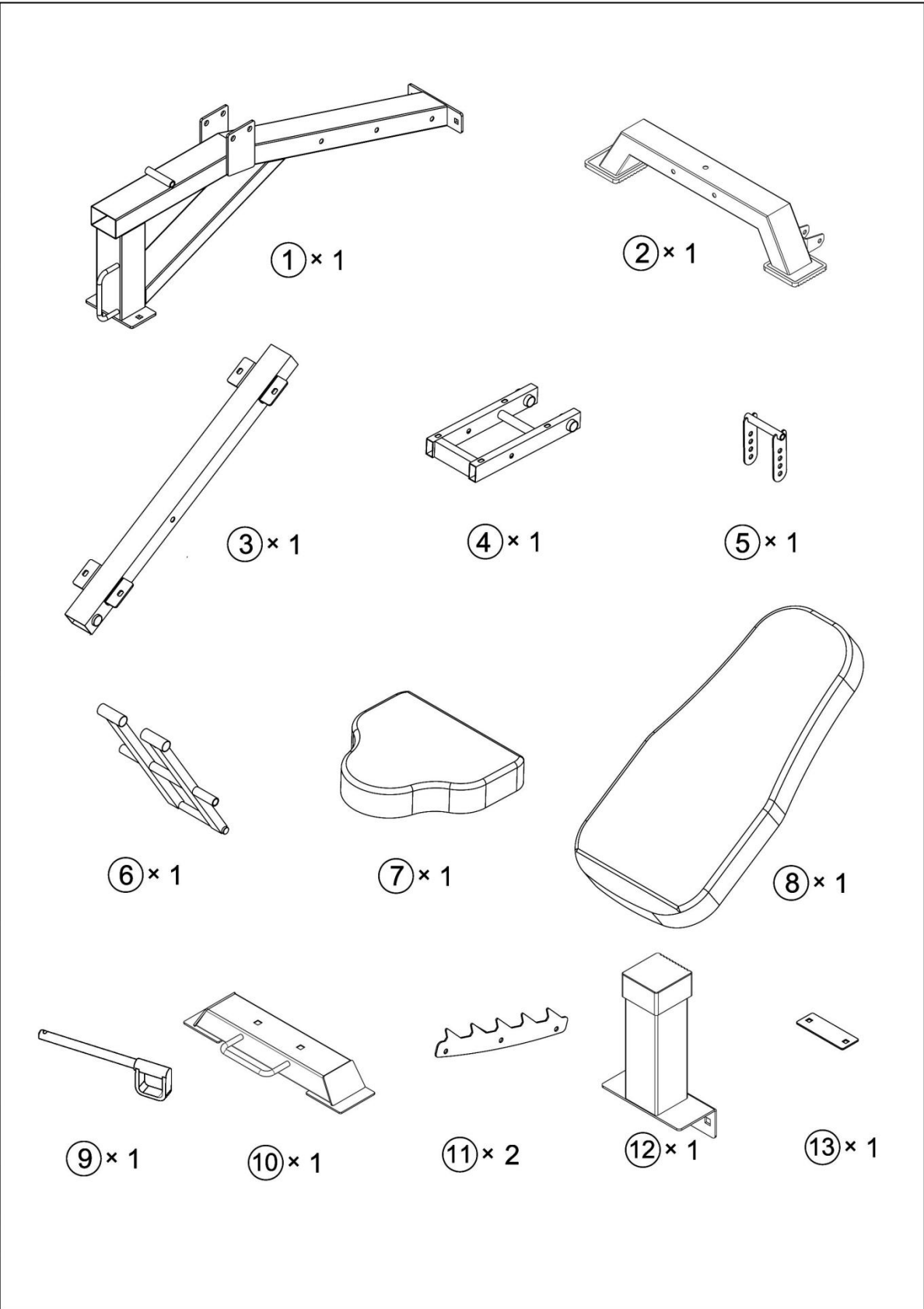
### SB-8062

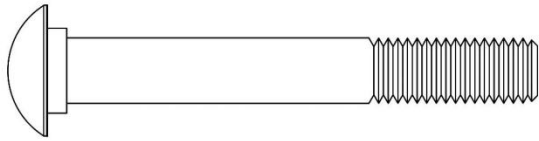


**IMPORTANT:** Please read the Important Safety Notice and Assembly Information in the Owner's manual before assembling this product.

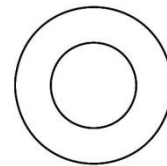
**Assembly Manual**

240404

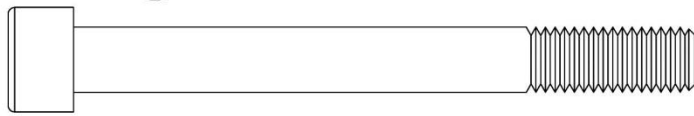




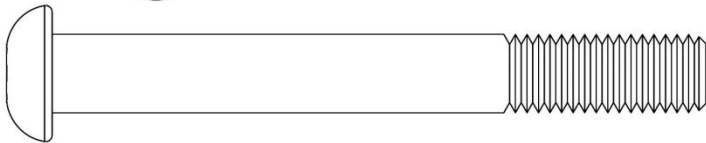
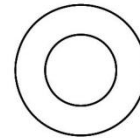
24 x 2



33 x 6

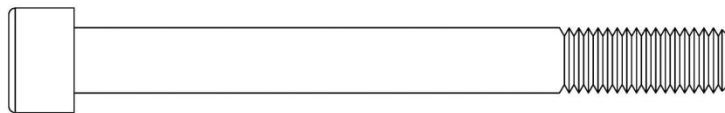


26 x 3

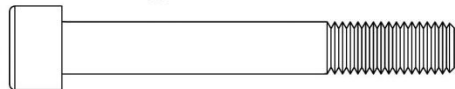
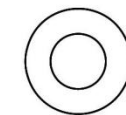


28 x 1

34 x 15



29 x 2

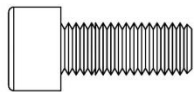


30 x 4

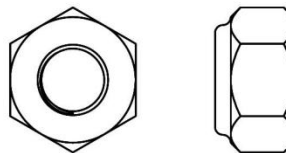
35 x 8



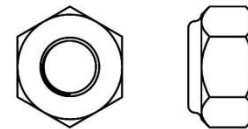
31 x 1



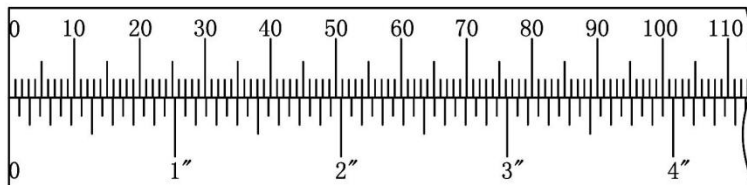
32 x 4

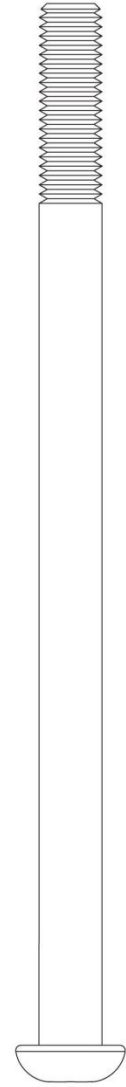
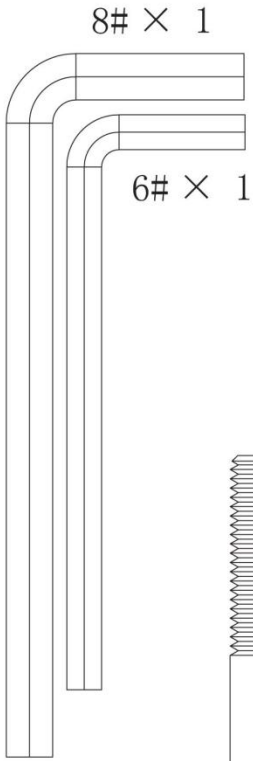


36 x 3

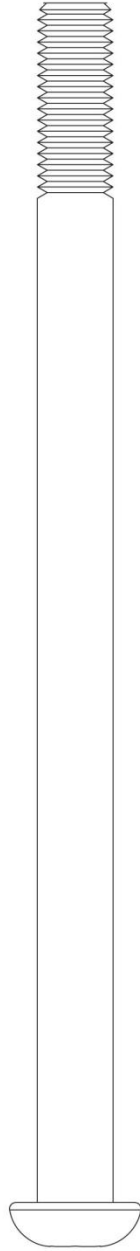


22 x 8

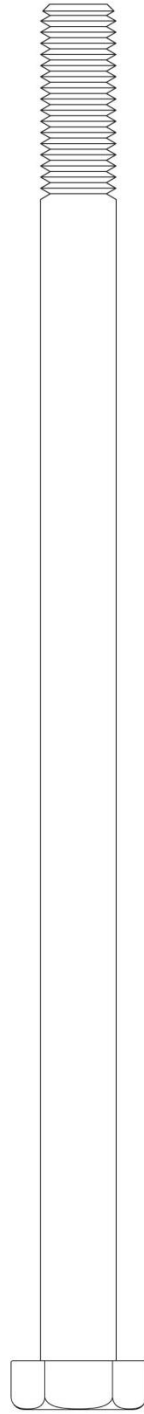




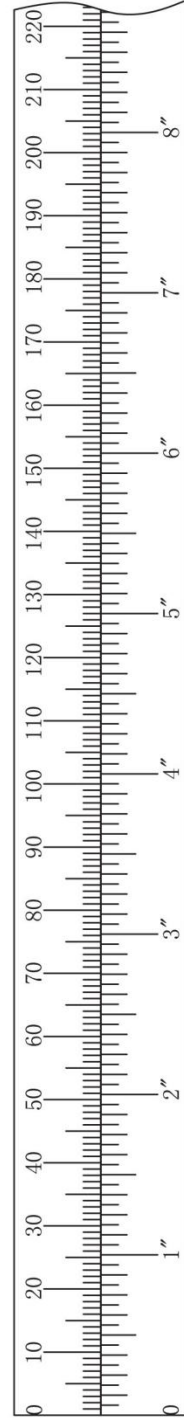
25 x 1








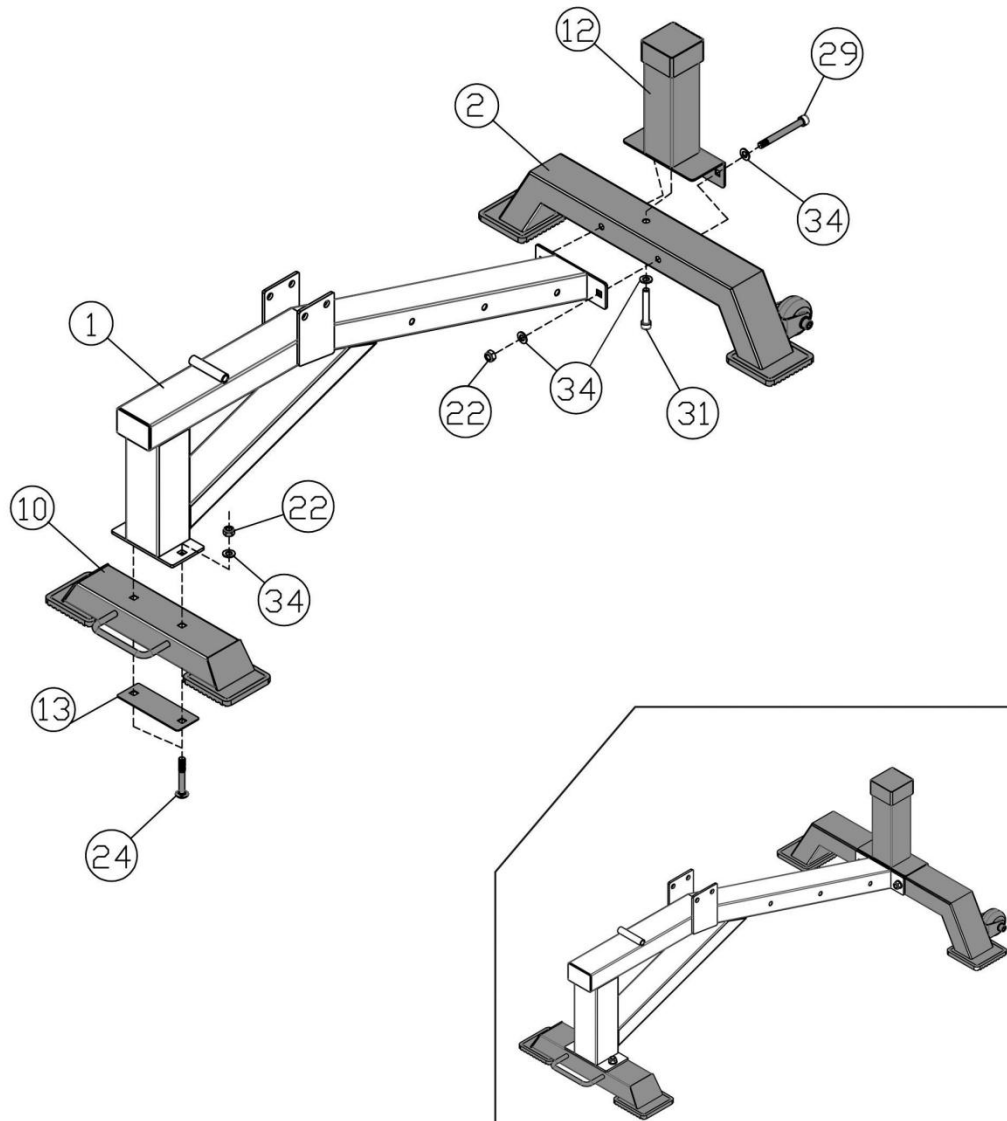
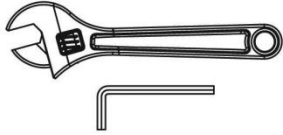
27 x 1








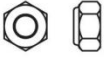
16 x 1

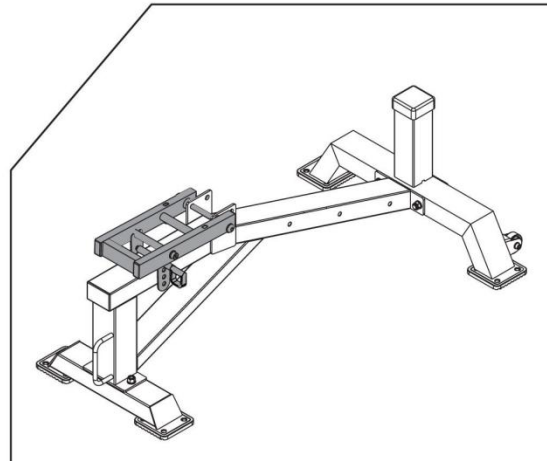
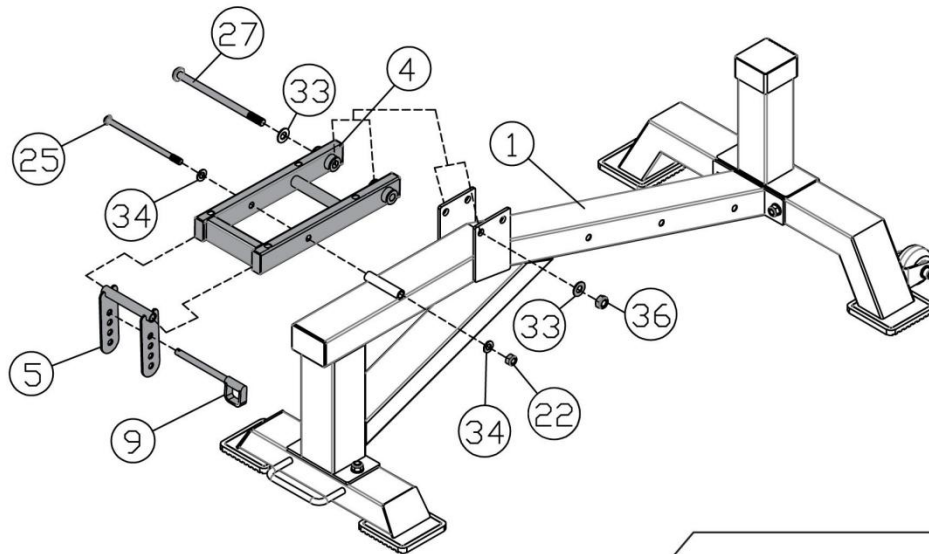
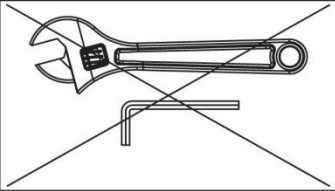


- |    |   |    |            |    |   |    |       |
|----|---|----|------------|----|---|----|-------|
| ②④ |  | ×2 | M10×2 3/4" | ③④ |  | ×7 | Φ3/4" |
| ②⑨ |  | ×2 | M10×4"     | ②② |  | ×4 | M10   |
| ③① |  | ×1 | M10×2 1/2" |    |   |    |       |



1

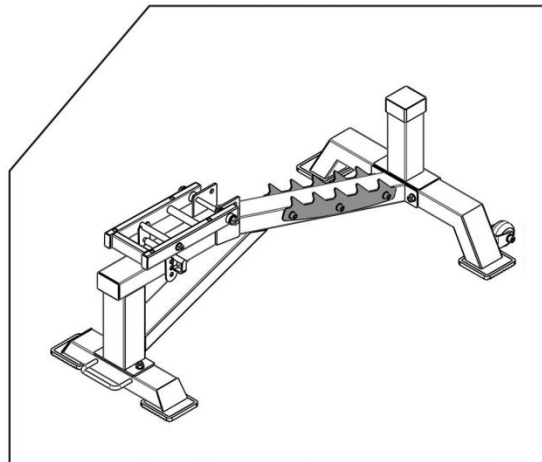
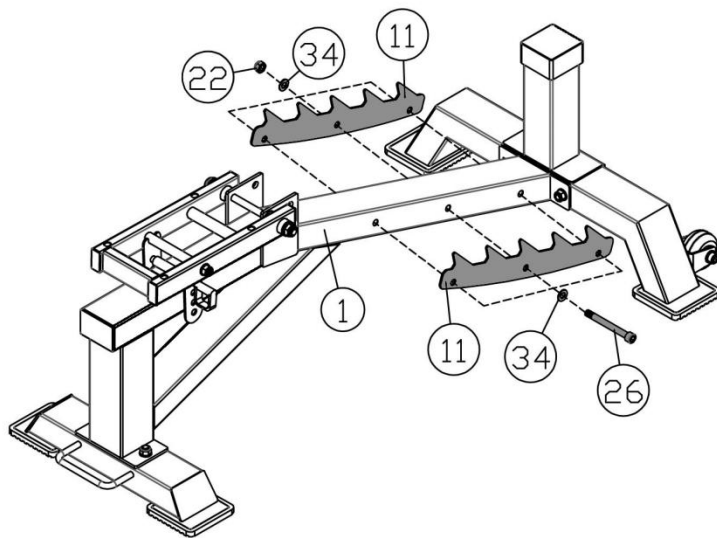
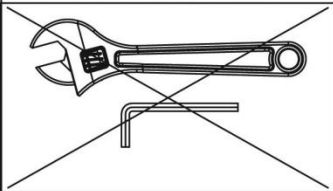
- |    |   |    |            |    |  |    |       |
|----|---|----|------------|----|--|----|-------|
| 25 |  | x1 | M10x6 1/2" |    |  |    |       |
| 27 |  | x1 | M12x7 1/2" |    |  |    |       |
| 33 |  | x2 | Φ1"        | 34 |   | x2 | Φ3/4" |
| 36 |  | x1 | M12        | 22 |  | x1 | M10   |




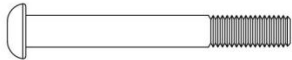



2

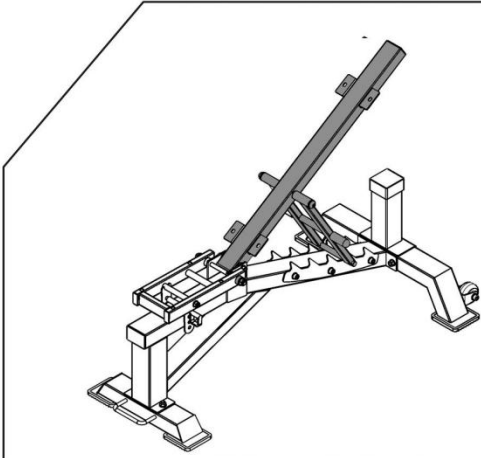
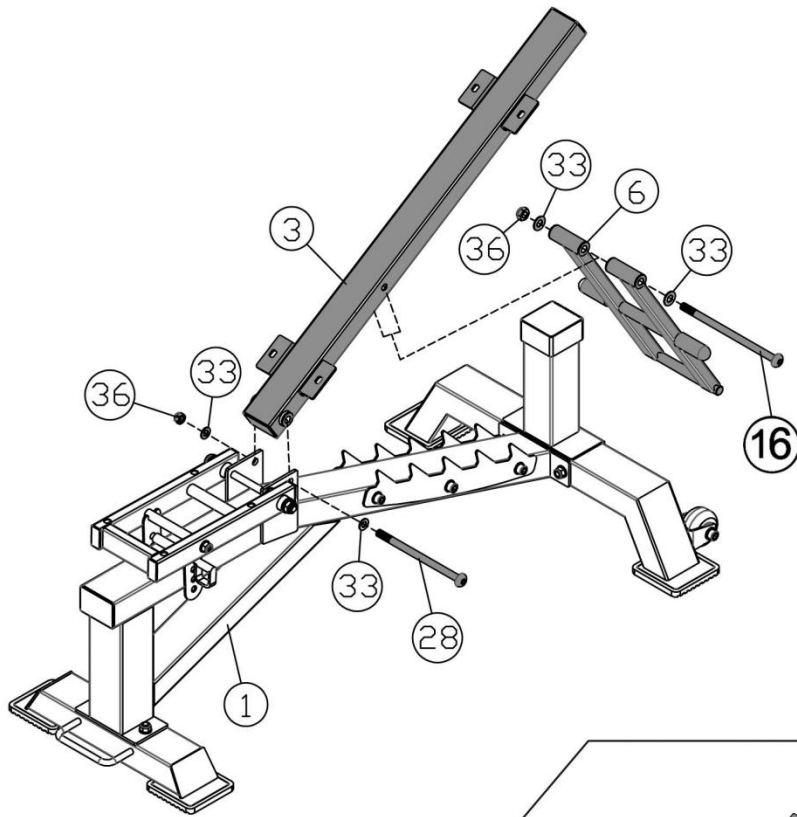
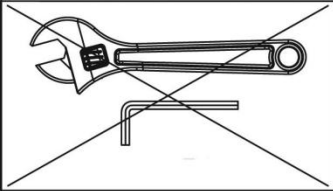
②⑥  ×3 M10×3 3/4"

③④  ×6  $\Phi$ 3/4"      ②②   ×3 M10



3

- ①⑥        ×1    M12×8 ½"
- ②⑧        ×1    M12×4"
- ③③        ×4    Φ1"                      ③⑥            ×2    M12



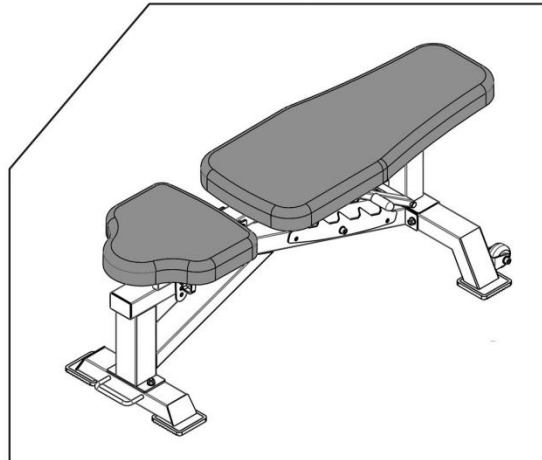
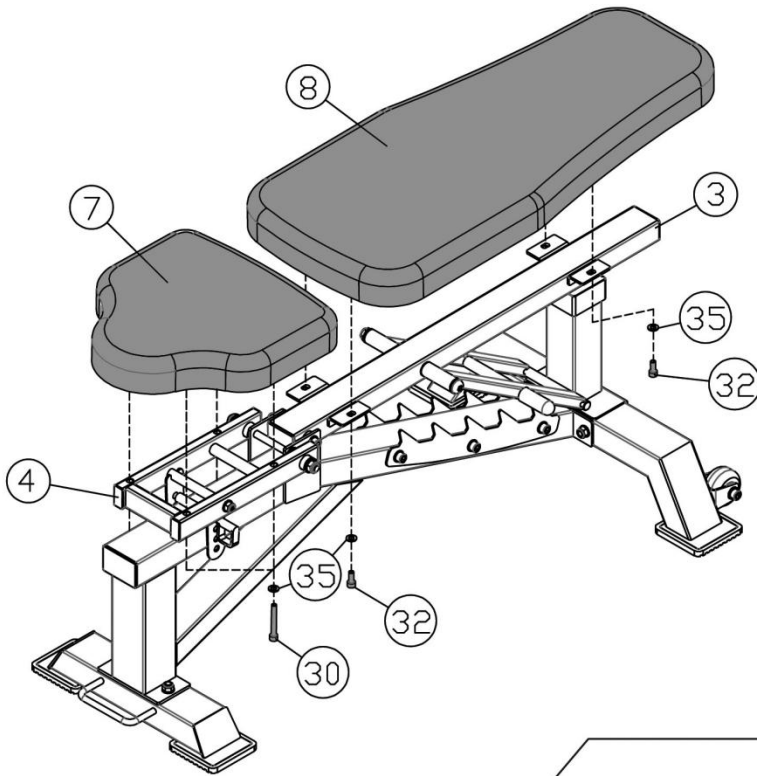
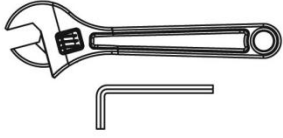
4



③①        x4    M8x2 3/8"

③②        x4    M8x3/4"

③⑤        x8    Φ5/8"



5

