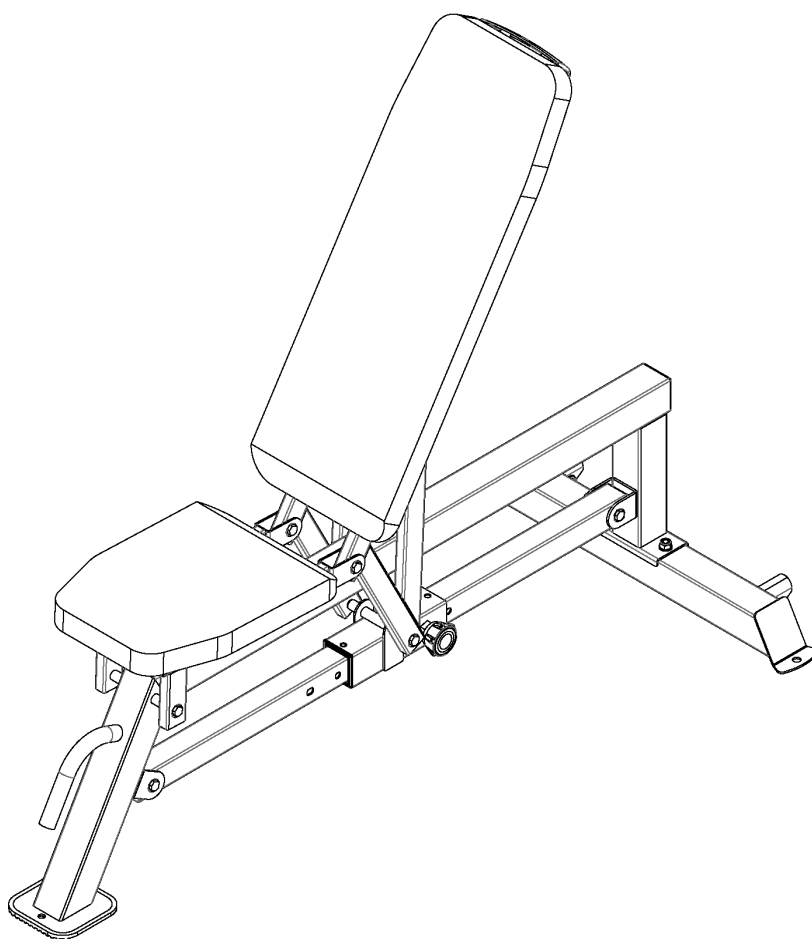


MARCY[®]

MARCY DELUXE UTILITY BENCH

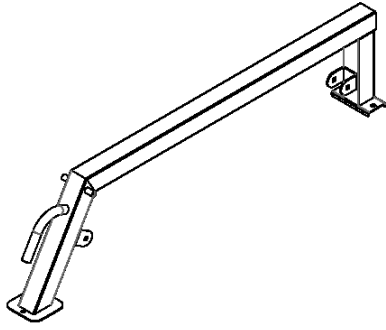
SB-5429



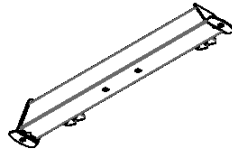
IMPORTANT: Please read the Important Safety Notice and Assembly Information in the Owner's manual before assembling this product.

Assembly Manual

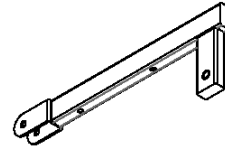
231108



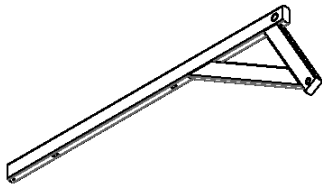
① × 1



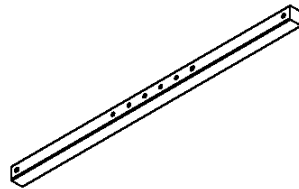
② × 1



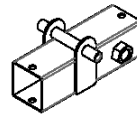
③ × 2



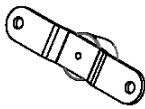
④ × 2



⑤ × 1



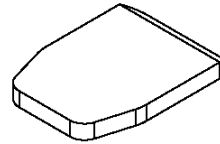
⑥ × 1



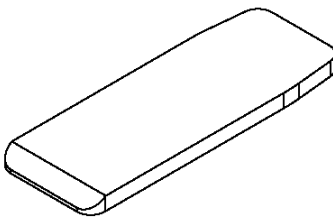
⑦ × 1



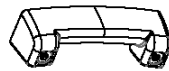
⑧ × 1



⑨ × 1



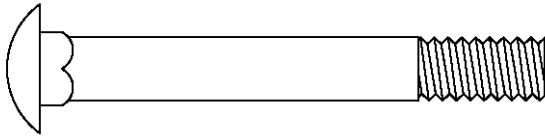
⑩ × 1



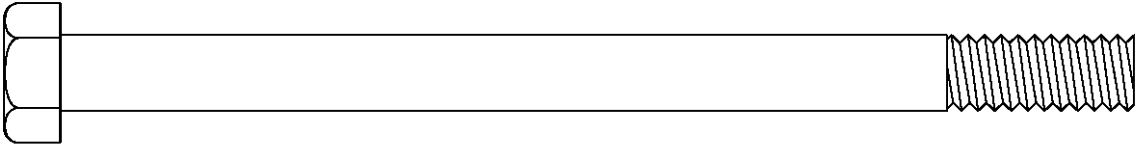
⑫ × 1



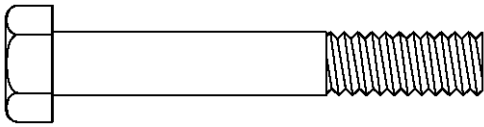
⑬ × 1



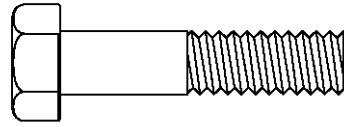
(23) × 2



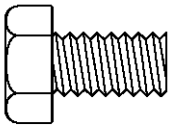
(24) × 2



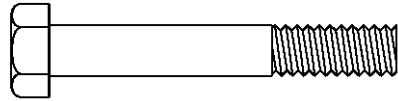
(25) × 2



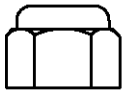
(26) × 2



(27) × 2



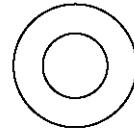
(28) × 8



(32) × 8

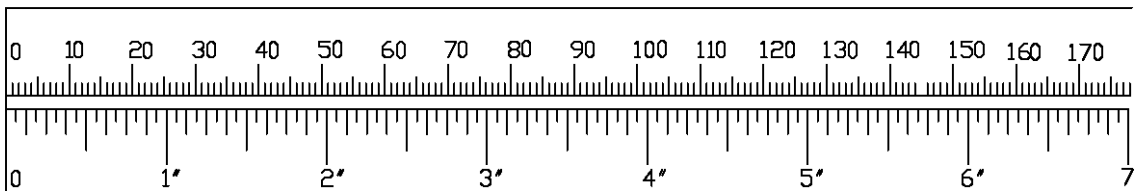


(29) × 10

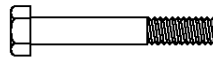


(30) × 14

mm



(25) × 2



M10 × 2⁵/₈"

(32) × 2

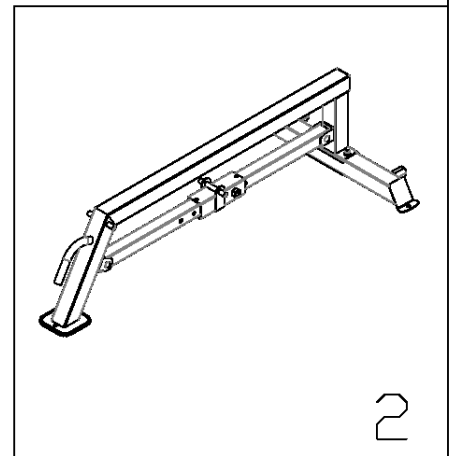
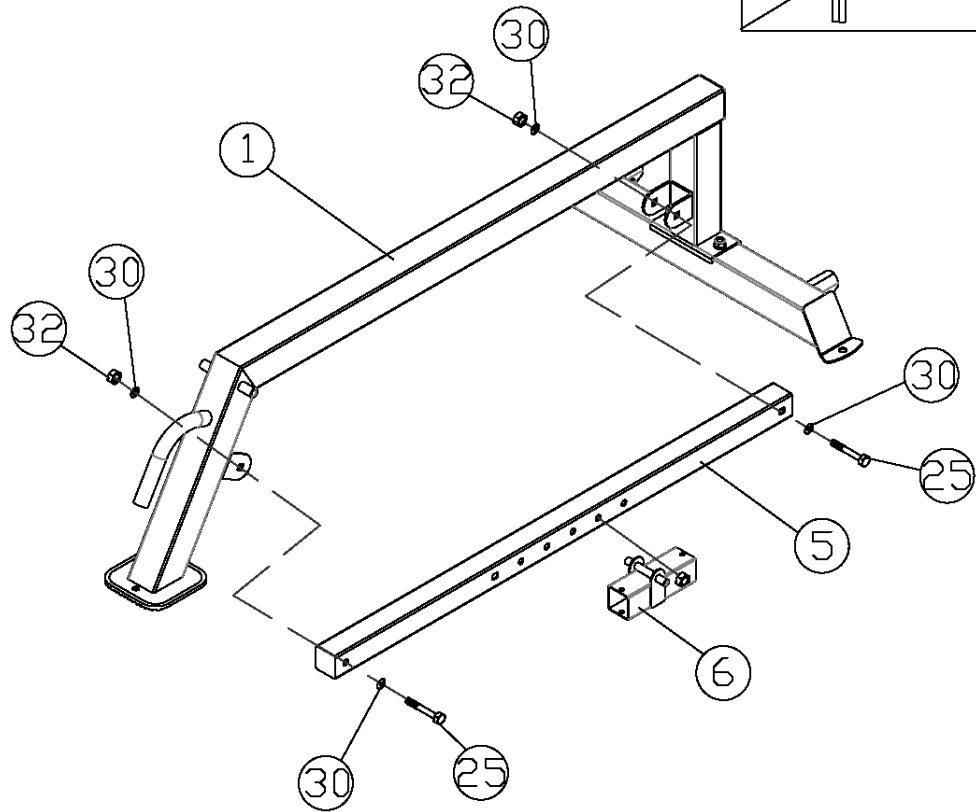
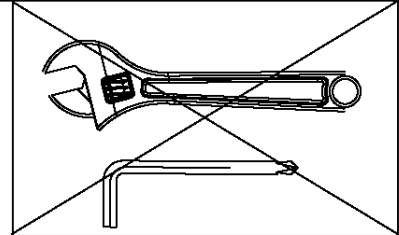


M10

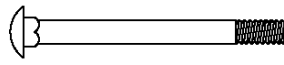
(30) × 4



∅³/₄"



23 × 2



M10 × 3 1/8"

32 × 2

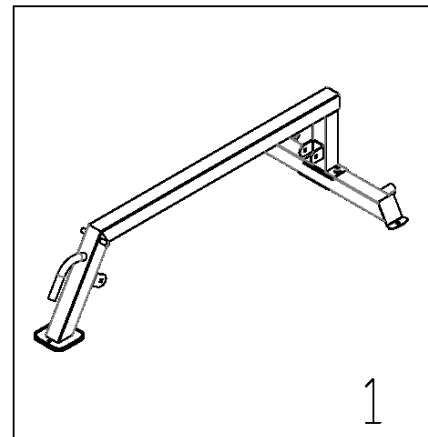
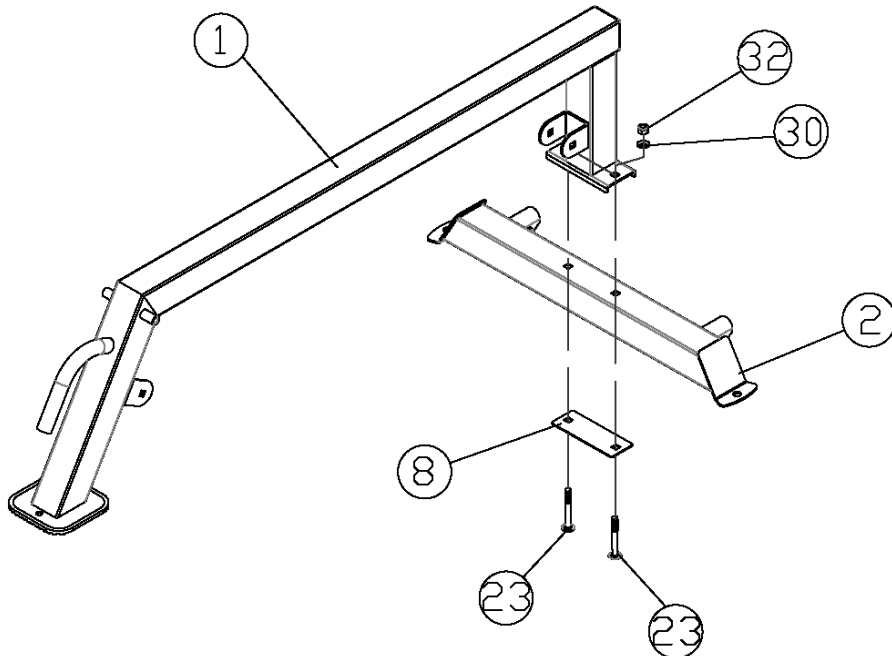
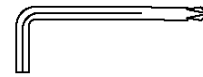
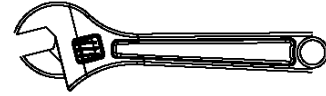


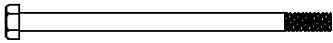
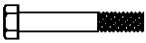


M10

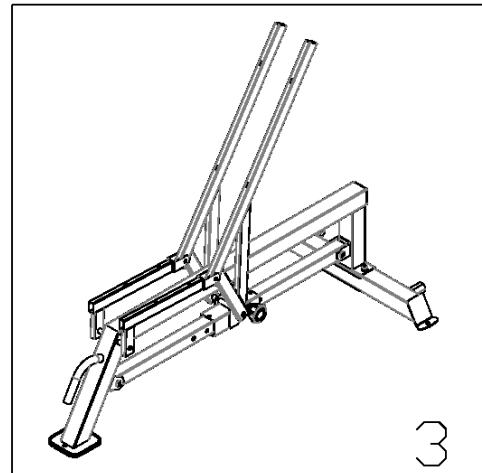
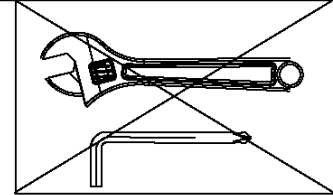
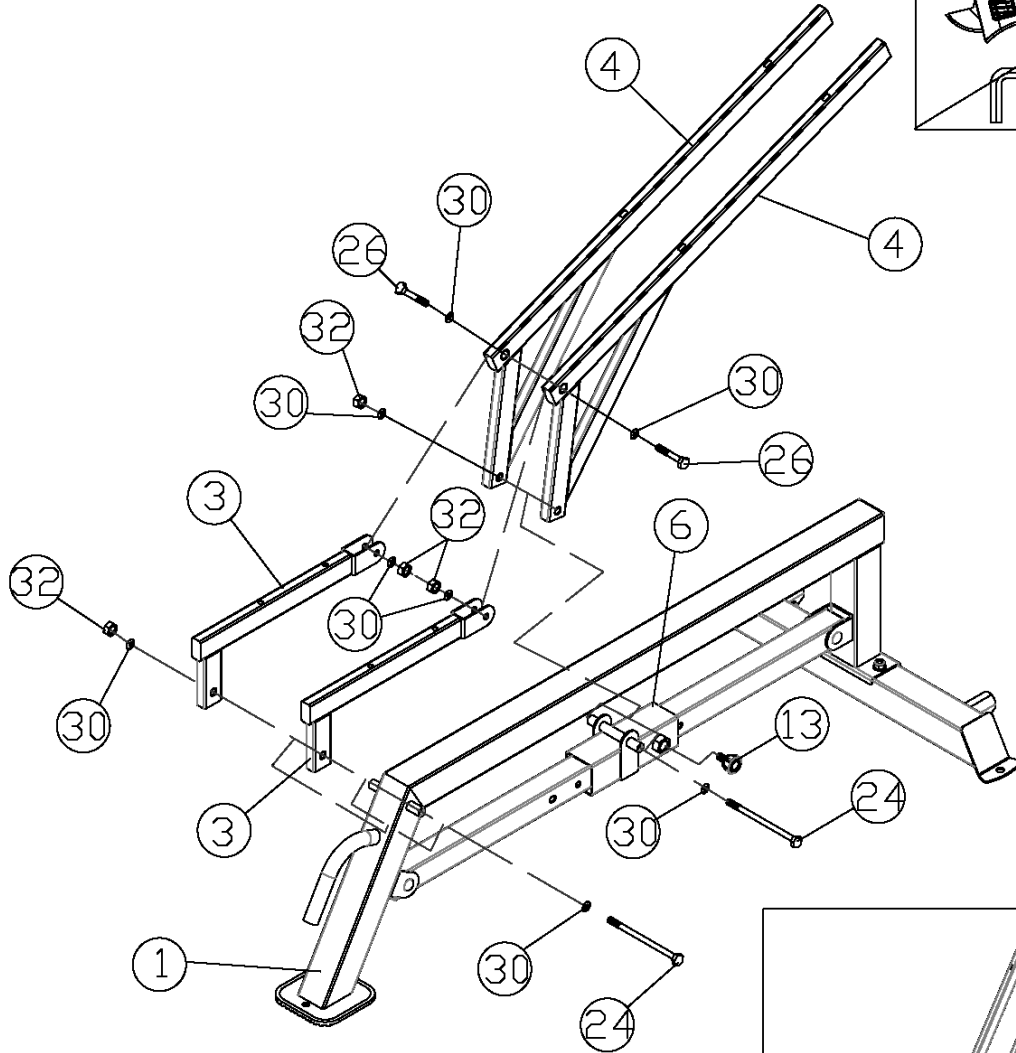
30 × 2



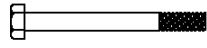
Ø 3/4"



- | | | |
|----------|---|-------------------------|
| (24) × 2 |  | M10 × 6 $\frac{3}{4}$ " |
| (26) × 2 |  | M10 × 1 $\frac{3}{4}$ " |
| (32) × 4 |  | M10 |
| (30) × 8 |  | Ø $\frac{3}{4}$ " |



(28) × 8

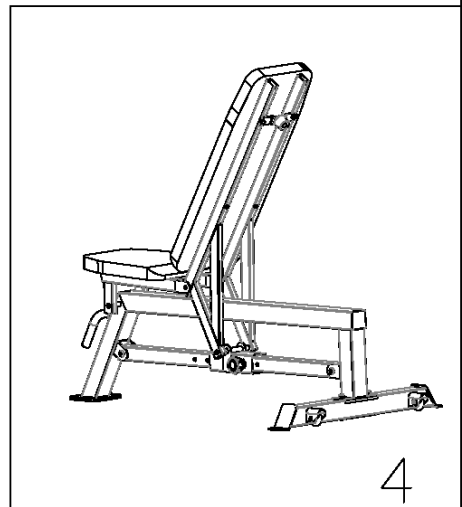
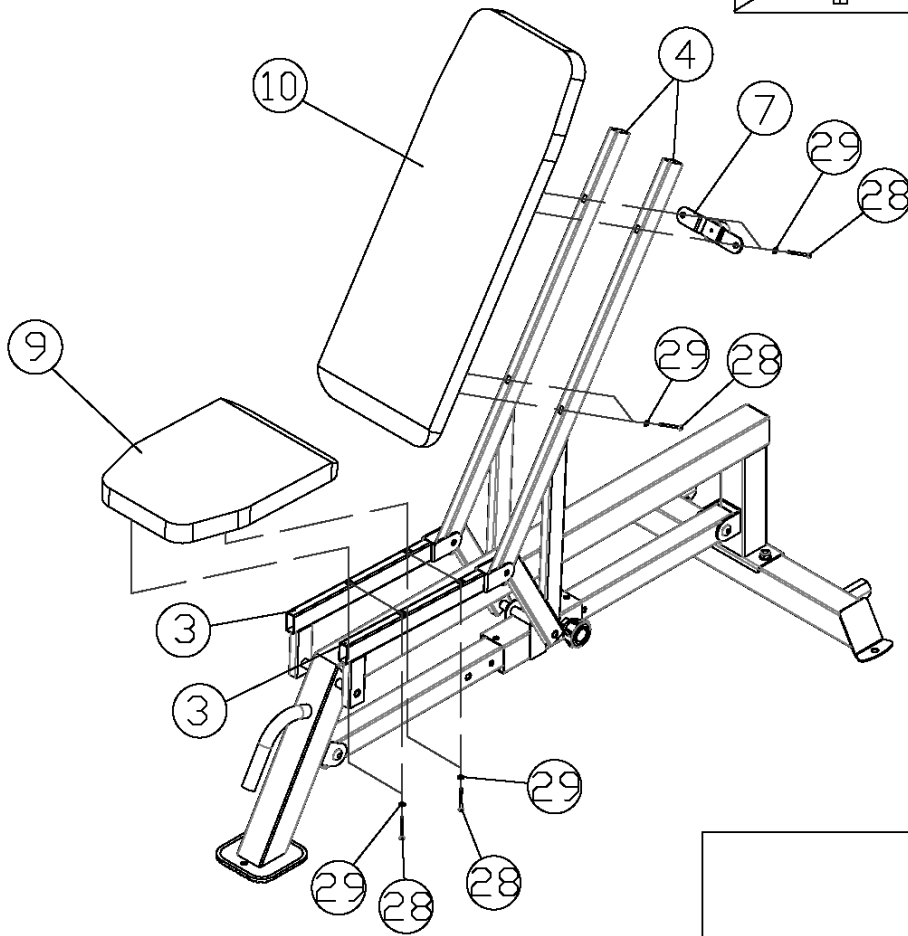
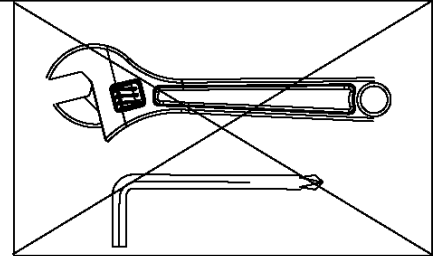


M8 × 2 1/8"

(29) × 8



5/8"



(27) x 2

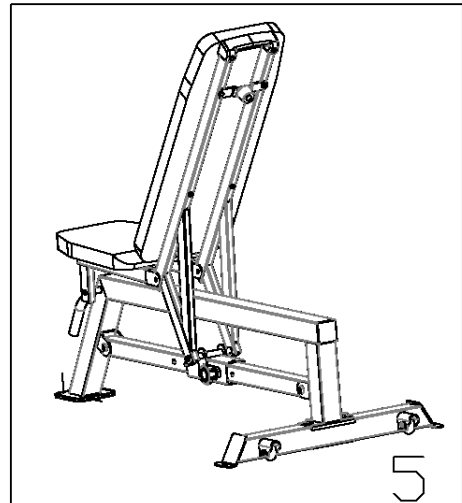
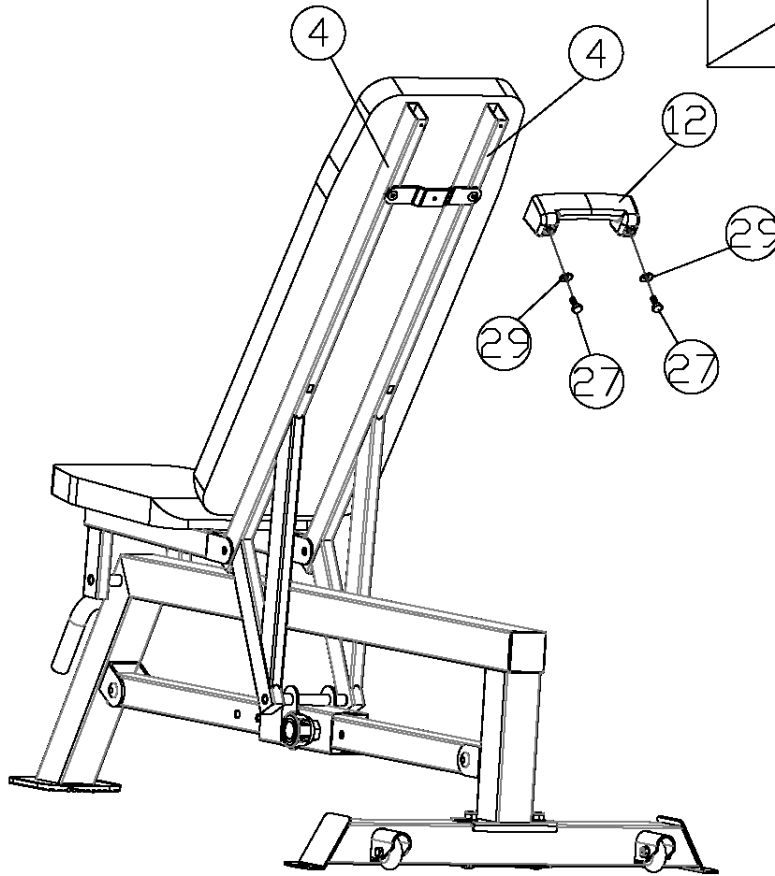
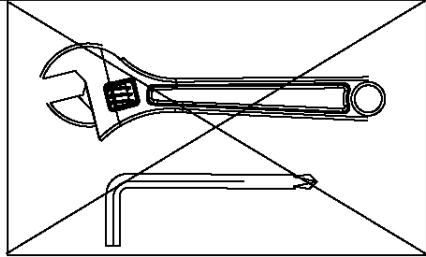


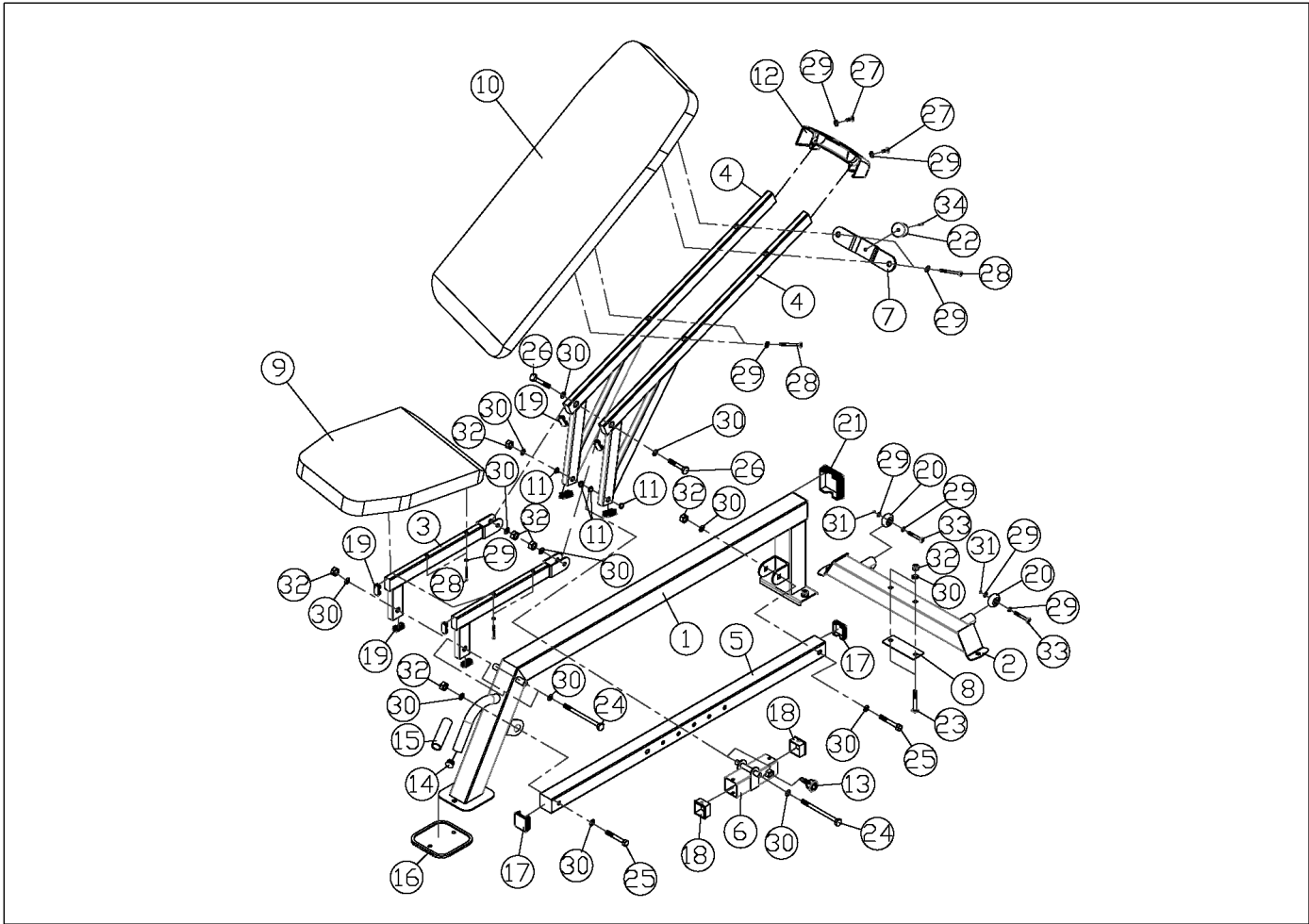
M8 x 3/4"

(29) x 2



5/8"





IMPEX® INC.
 2801 S. Towne Ave, Pomona, CA 91766
 Tel: (800) 999-8899 Fax: (626) 961-9966
www.marcypro.com
support@impex-fitness.com