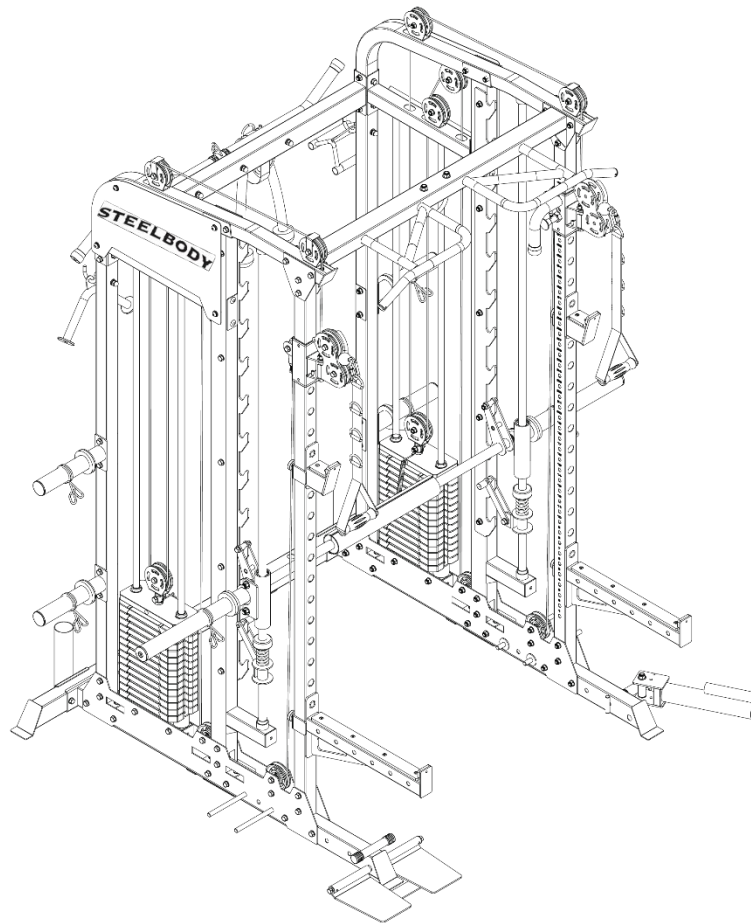


STEELBODY

DELUXE SMITH CAGE

SM-6900



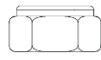
IMPORTANT: Please read the Important Safety Notice and Assembly Information in the Owner's manual before assembling this product.

Assembly Manual

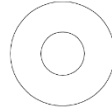
240809



67×25



81×9



112×6



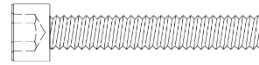
117×6



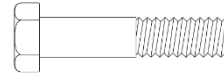
118×223



119×108



120×2



121×10



122×5



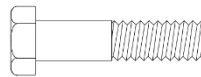
123×76



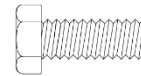
124×2



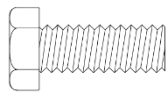
125×3



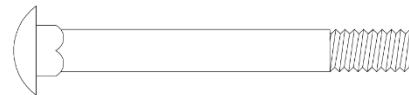
126×4



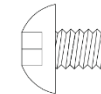
127×10



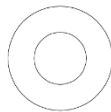
128×4



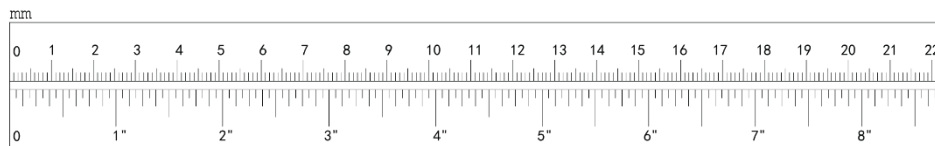
129×12

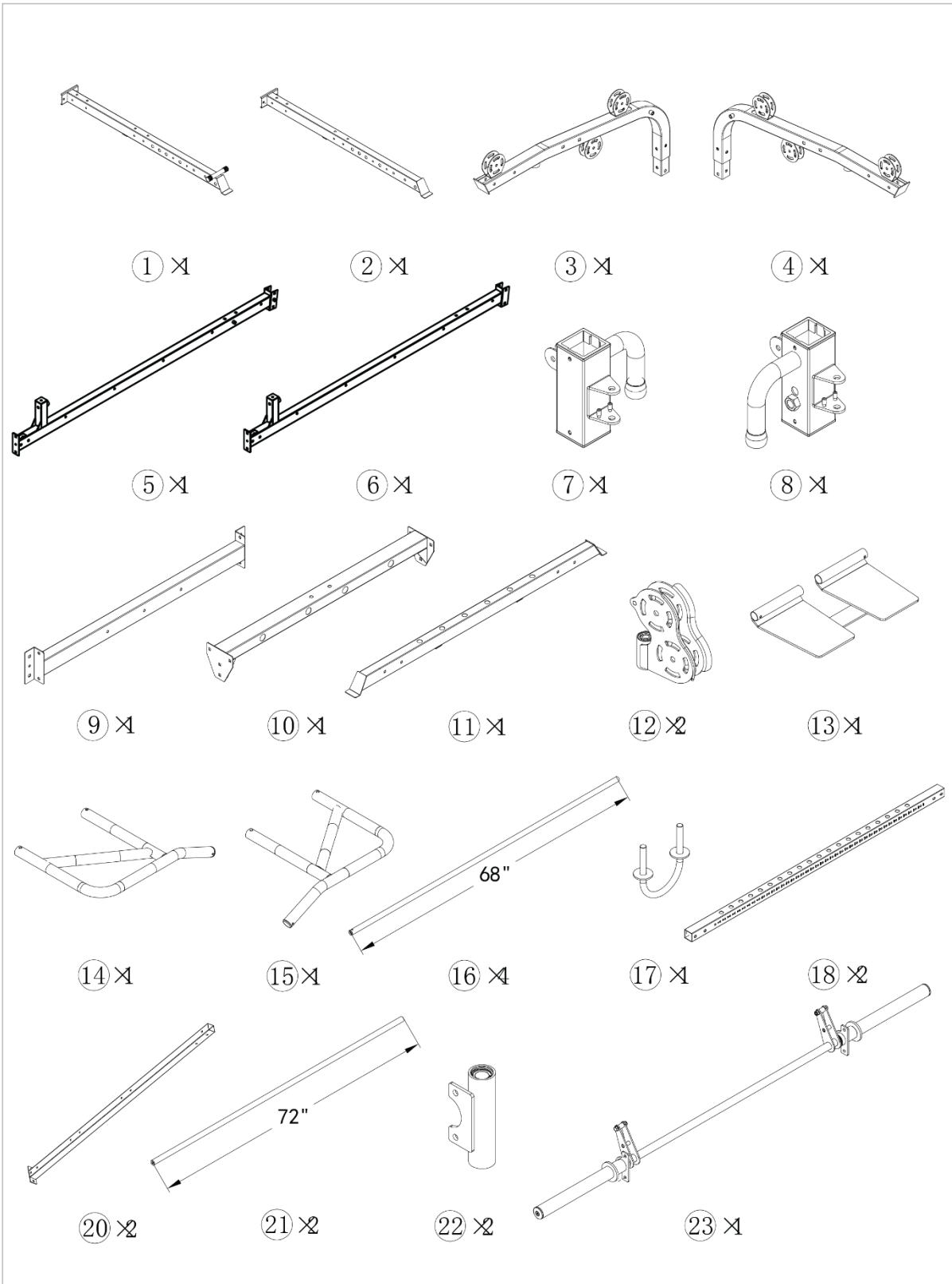


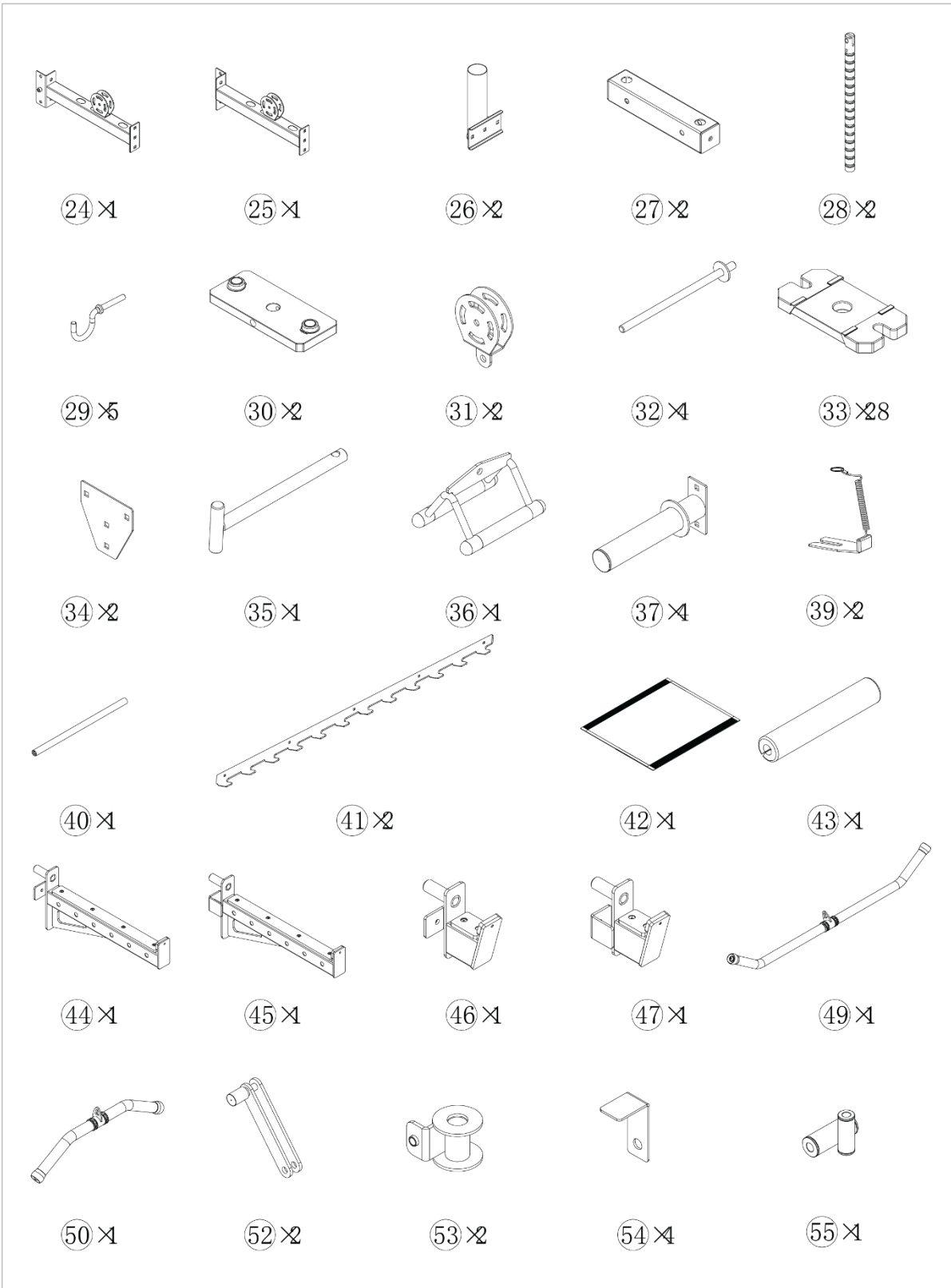
130×8

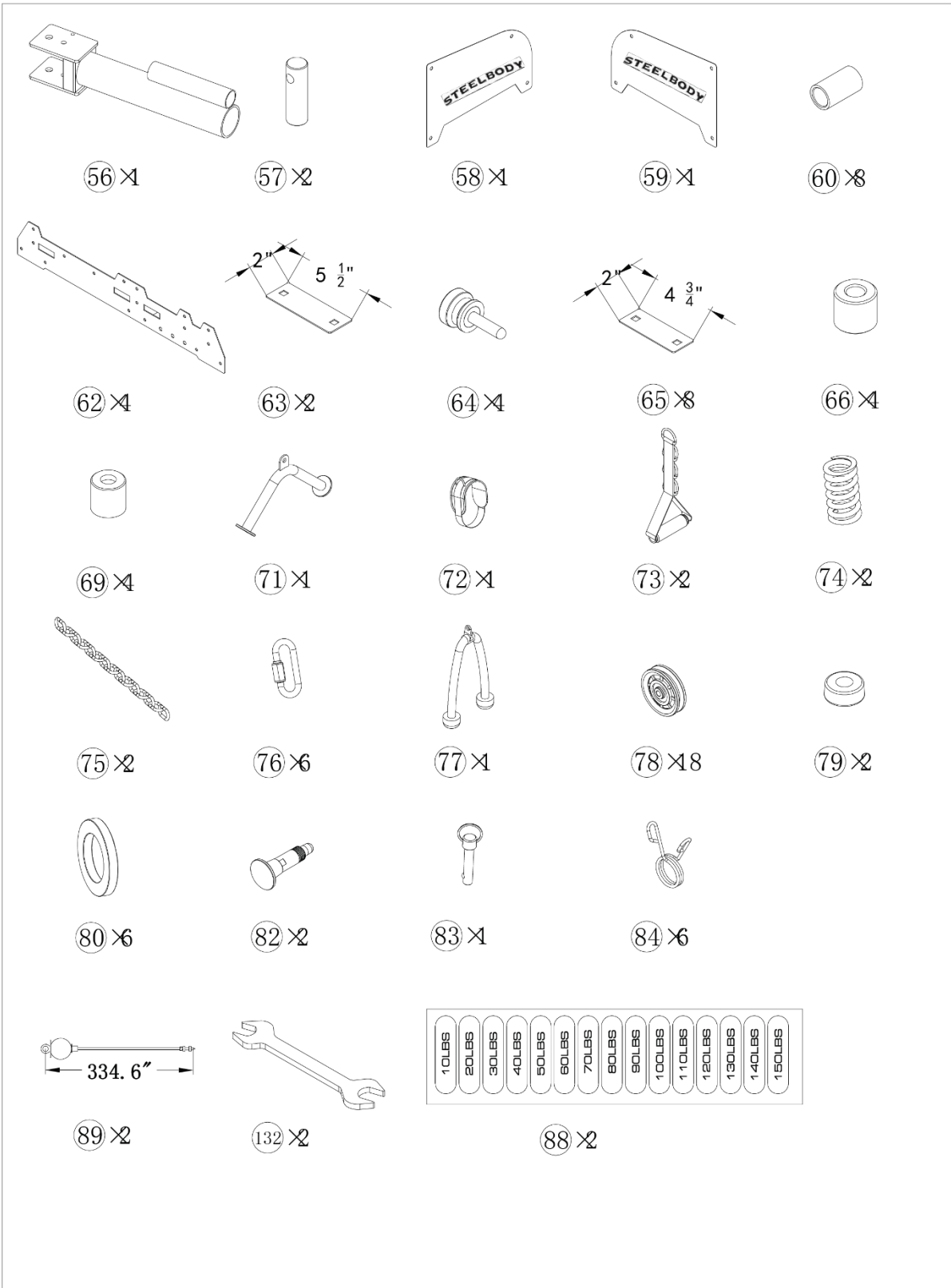





131×16

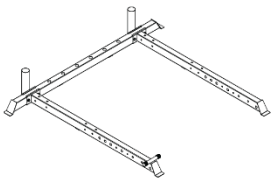
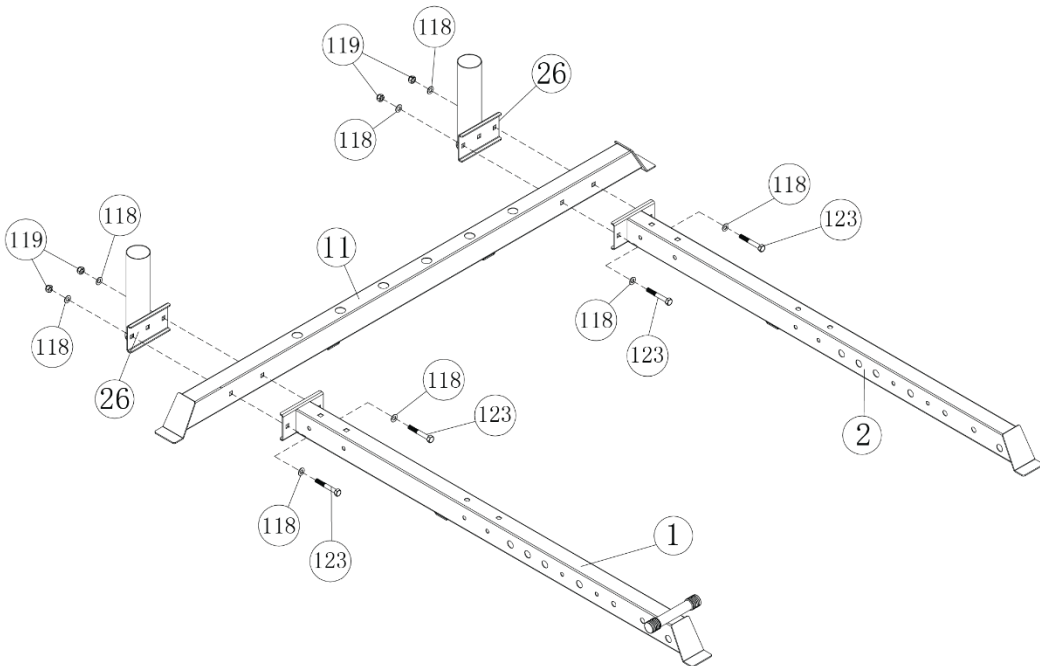
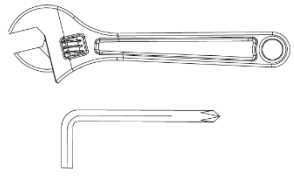









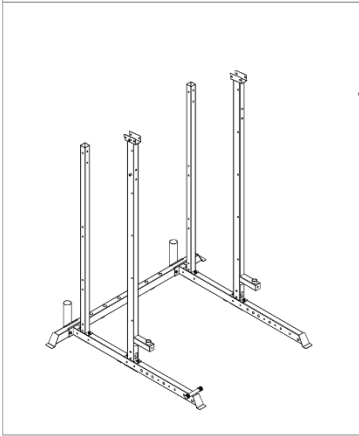
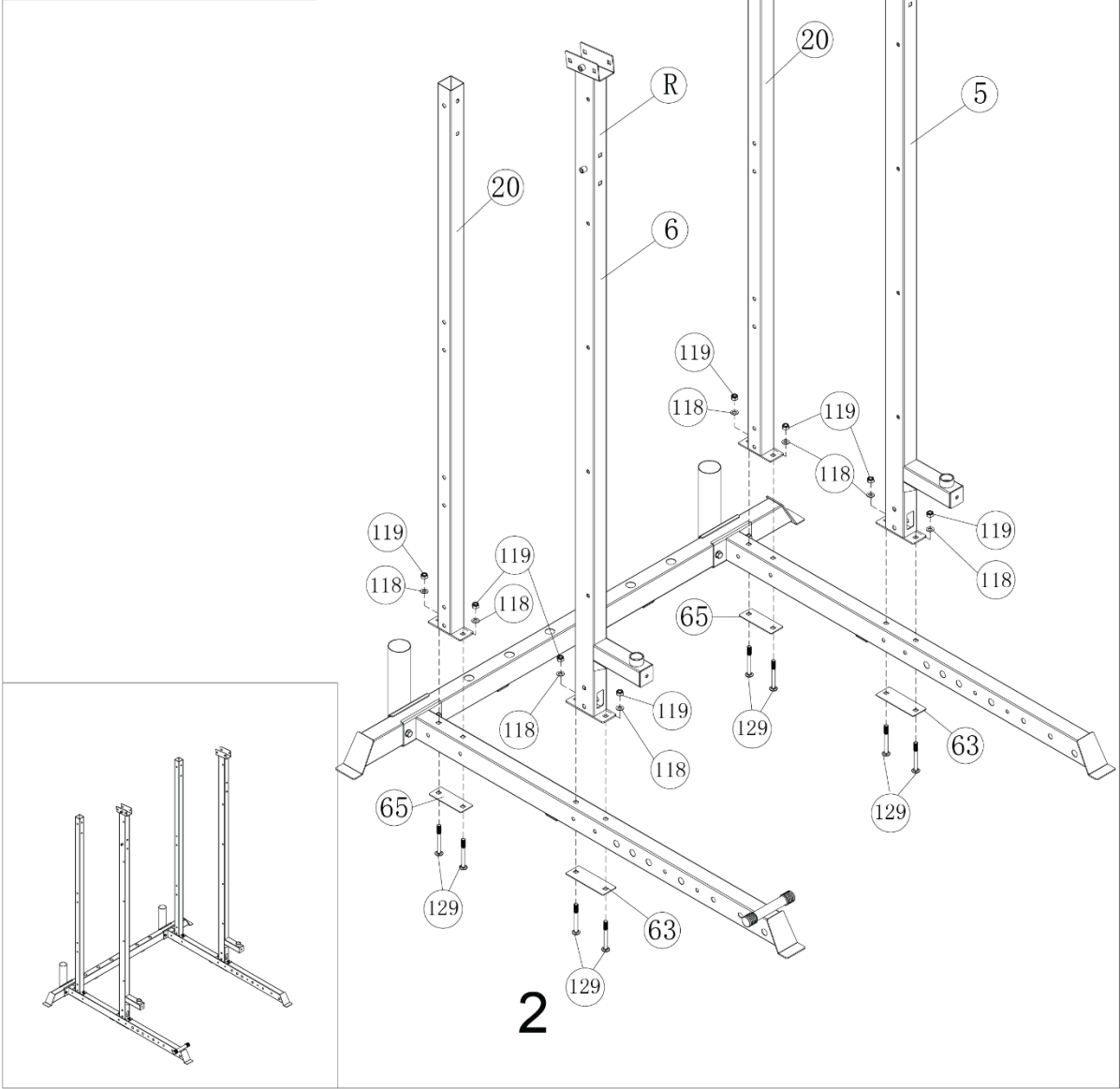
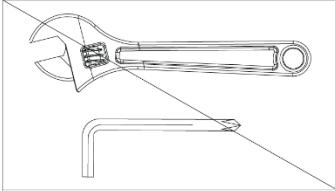





(123)		4	M10 × 2 3/4"
(118)		8	Ø 3/4"
(119)		4	M10

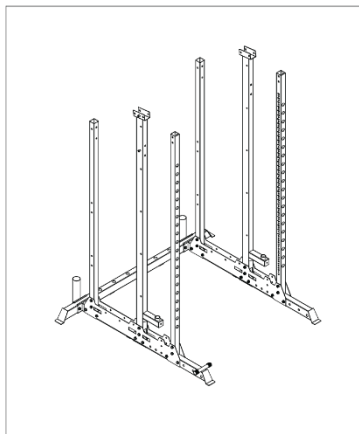
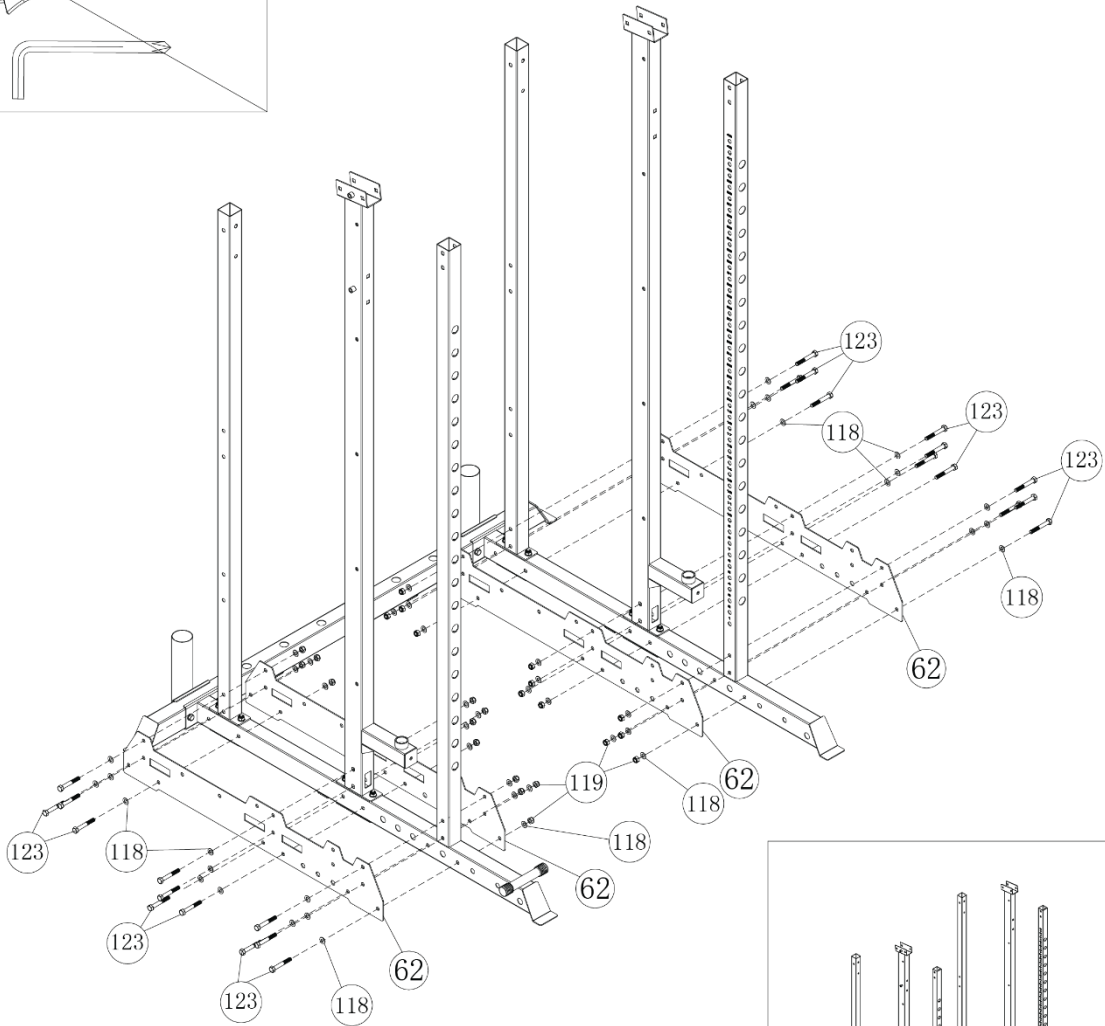
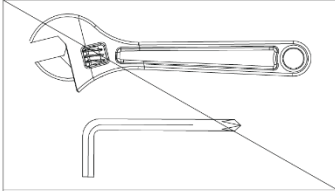


1


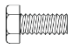



129		8	M10×3 1/2"
118		8	Ø 3/4"
119		8	M10

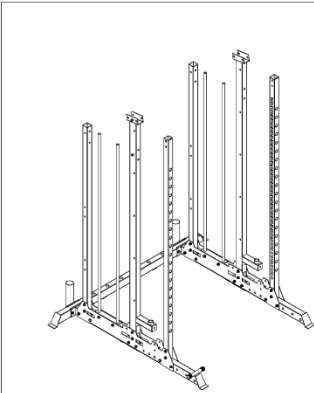
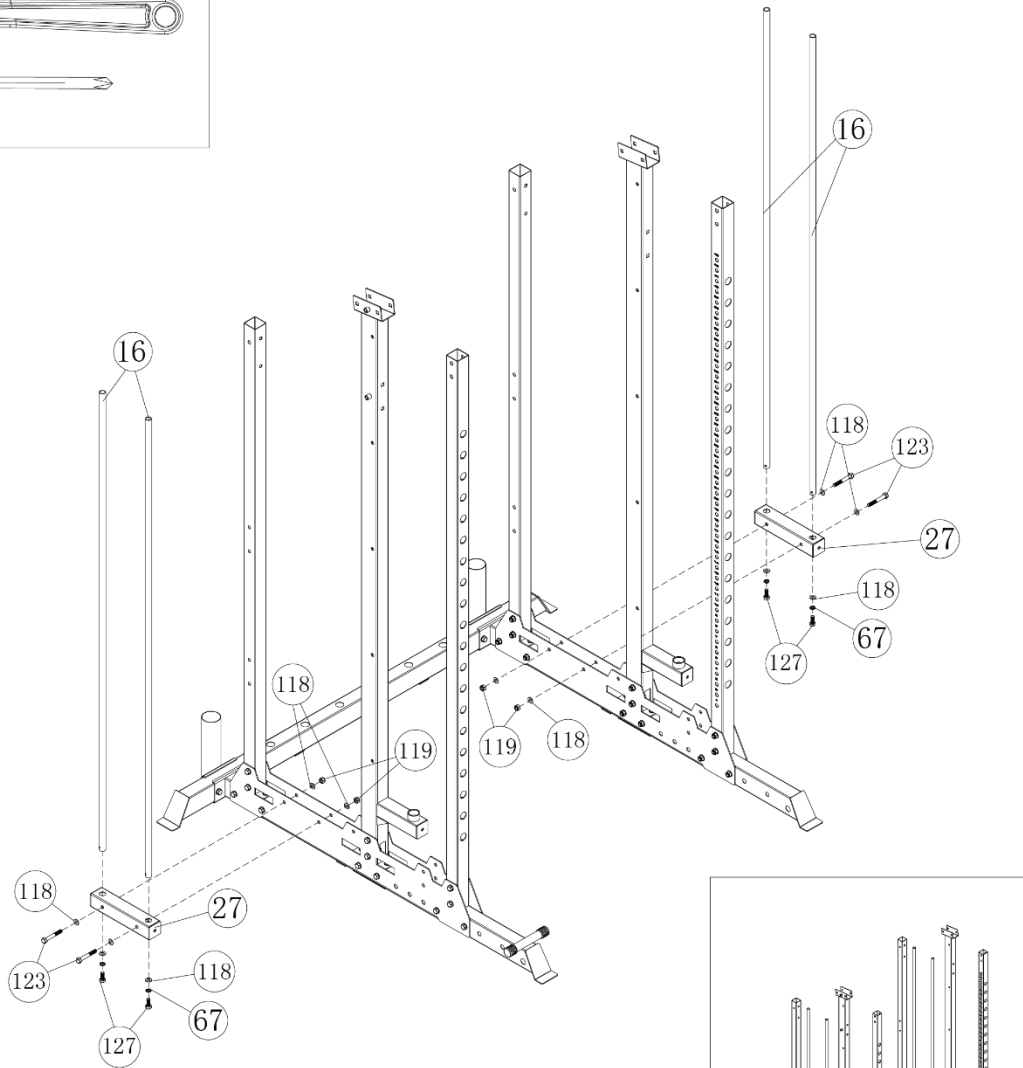
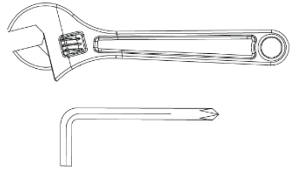


(123)		24	M10 × 2 3/4"
(118)		48	Ø 3/4"
(119)		24	M10







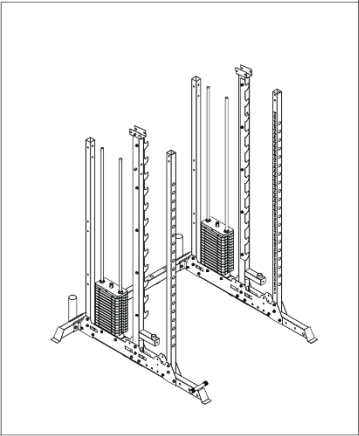
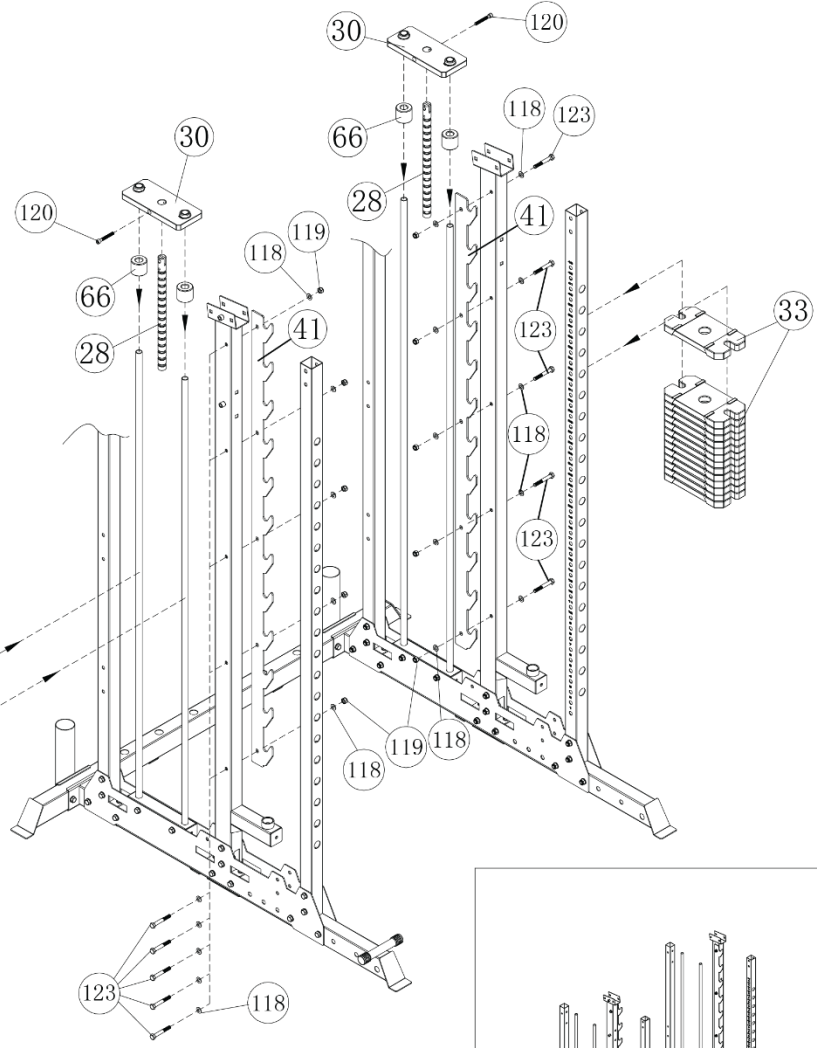
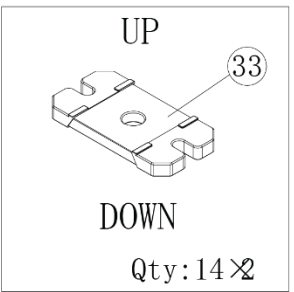
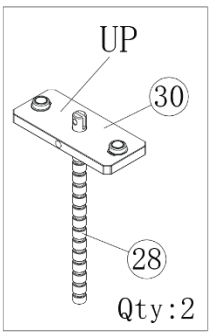
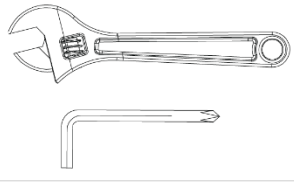
3

(123)		4	M10×2 3/4"	(127)		4	M10×1"
(118)		12	Ø 3/4"	(67)		4	Ø 3/4"
(119)		4	M10	Spring Washer			


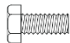





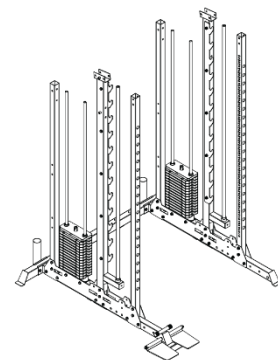
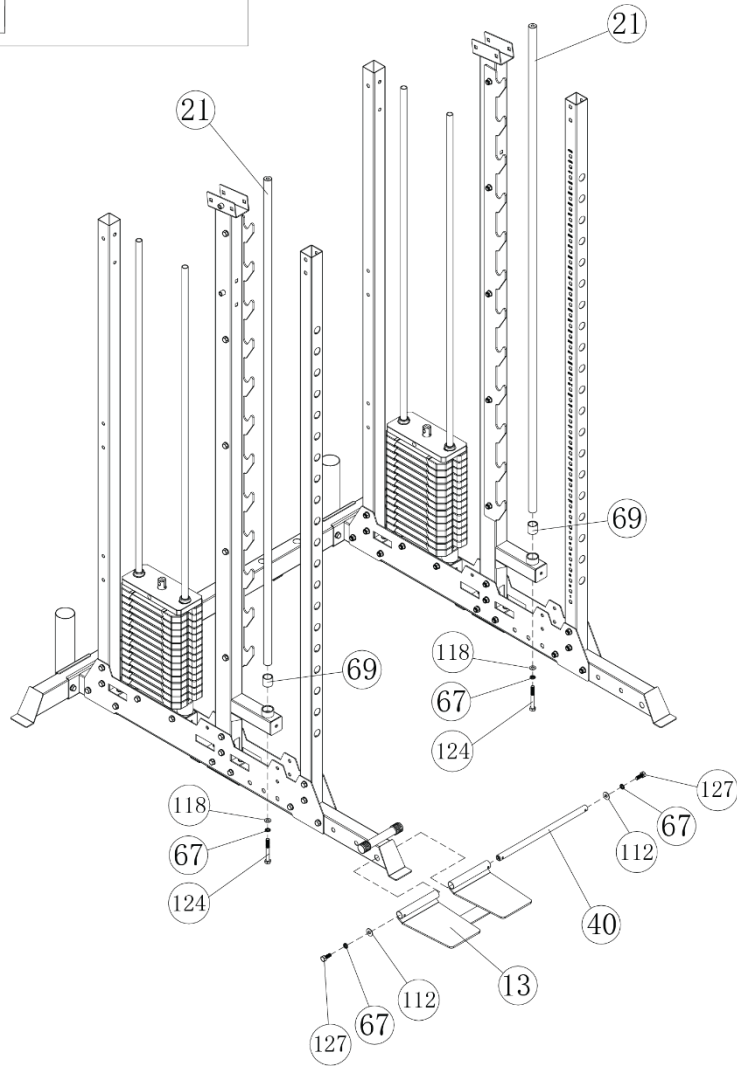
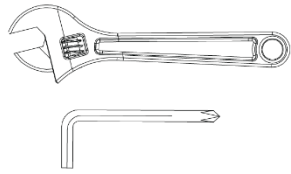
4

123		10	M10×2 3/4"	120		2	M8×2 3/8"
118		20	Ø 3/4"				
119		10	M10				



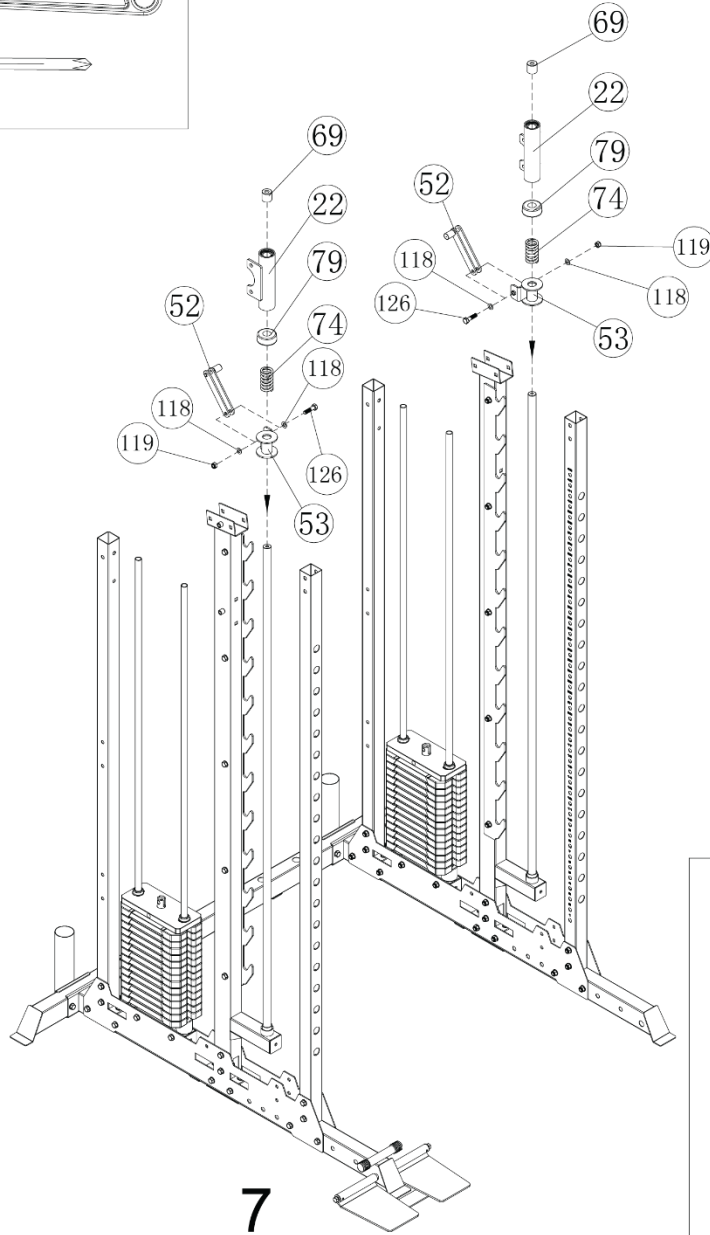
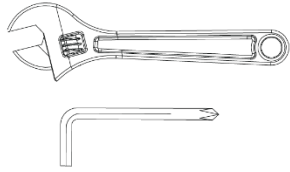
5

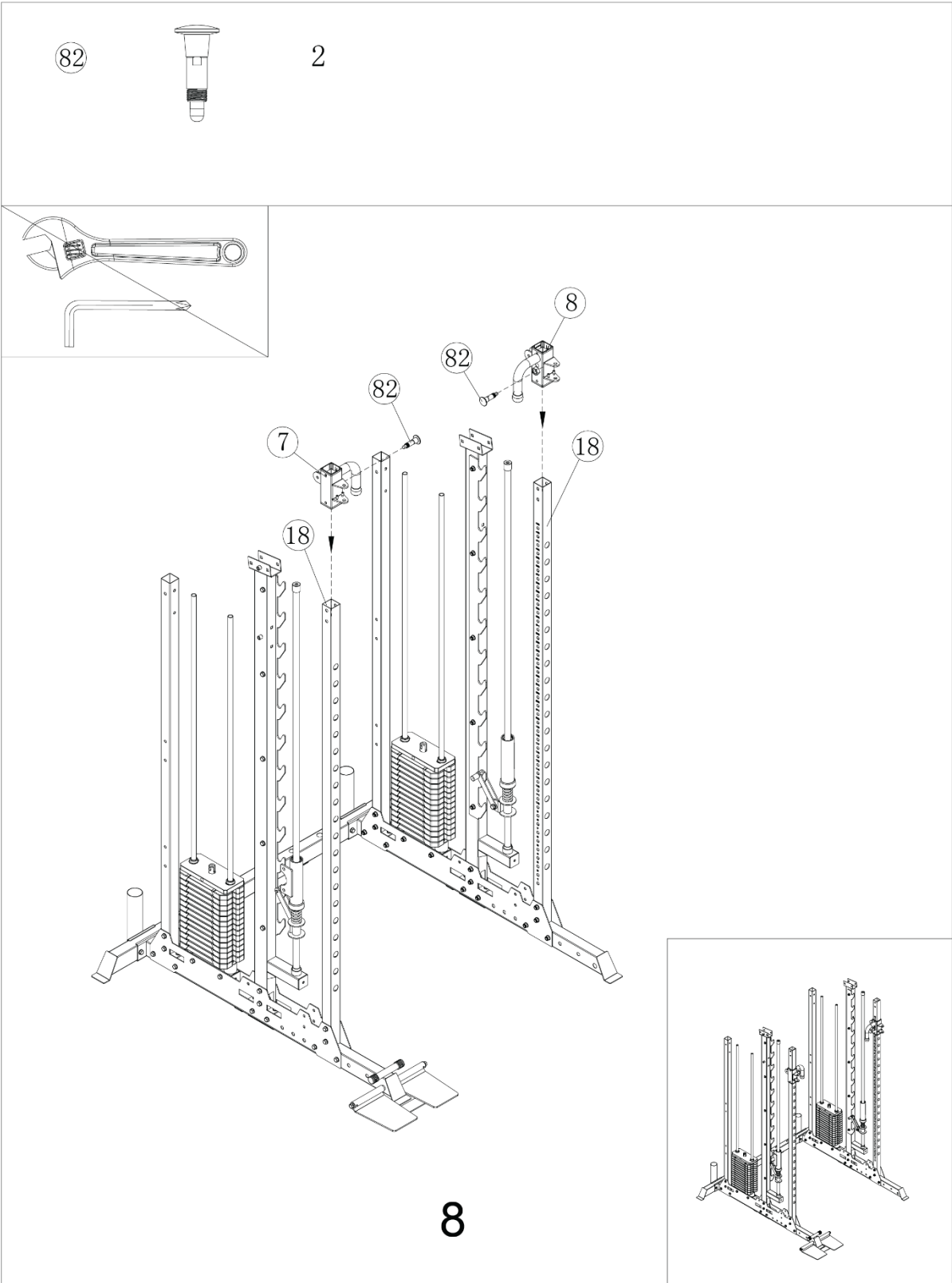
(124)		2	M10×3 1/8"	(127)		2	M10×1"
(118)		2	Ø 3/4"	(112)		2	Ø 3/4"×Ø 1"
(67)		4	Ø 3/4"				






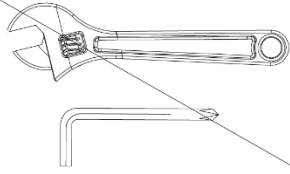
6

(126)		2	M10× 1/2"
(118)		4	Ø 3/4"
(119)		2	M10

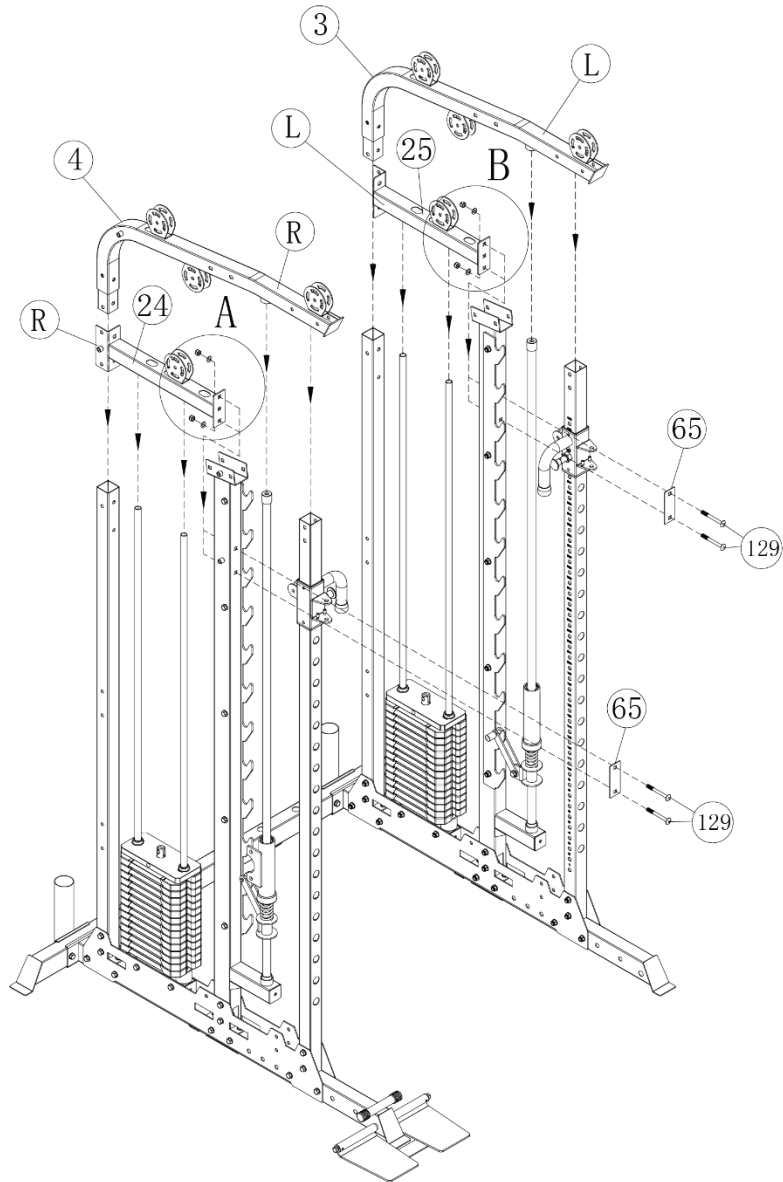
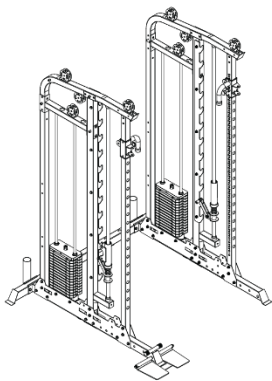
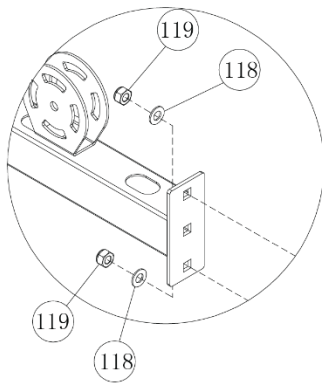







129		4	M10×3 1/2"
118		4	Ø 3/4"
119		4	M10

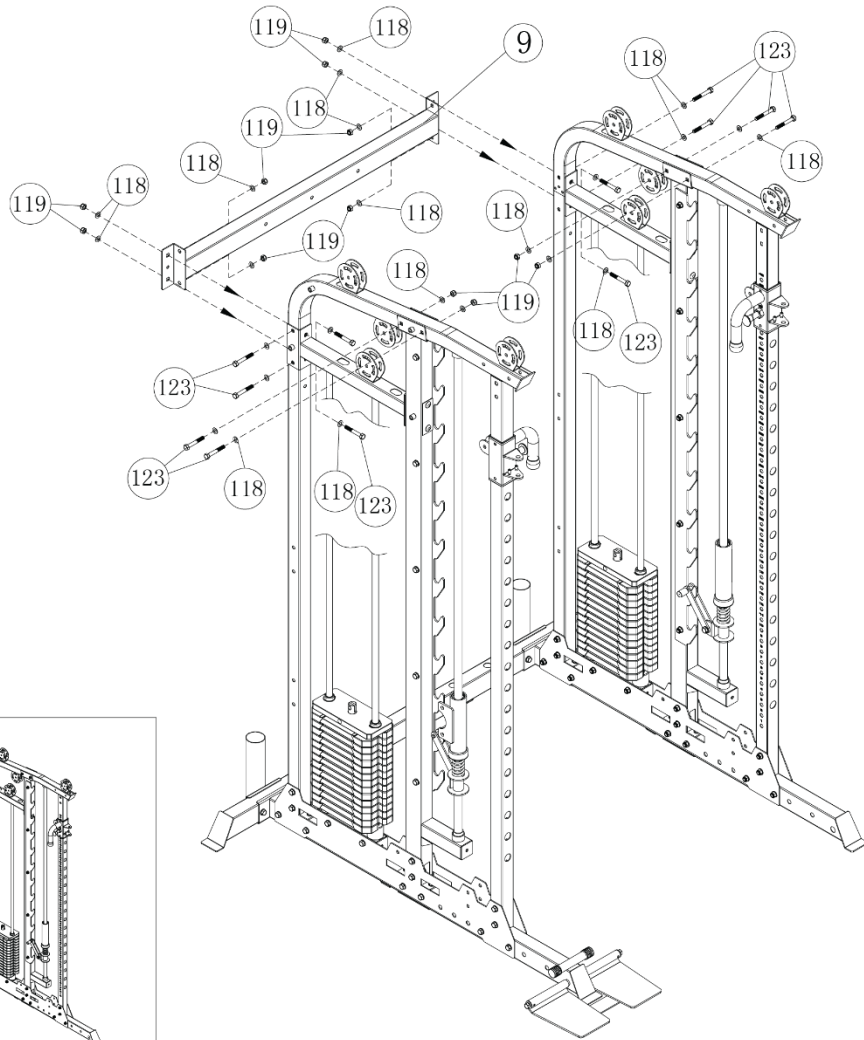
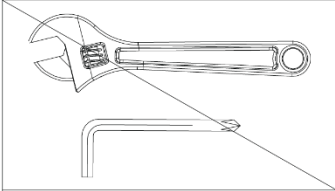


A/B

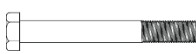




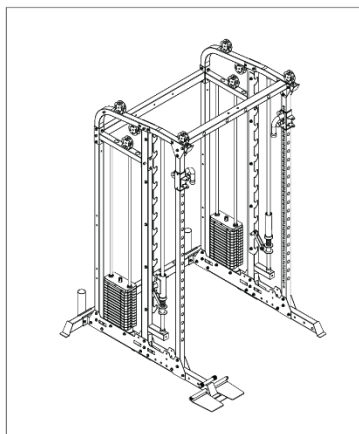
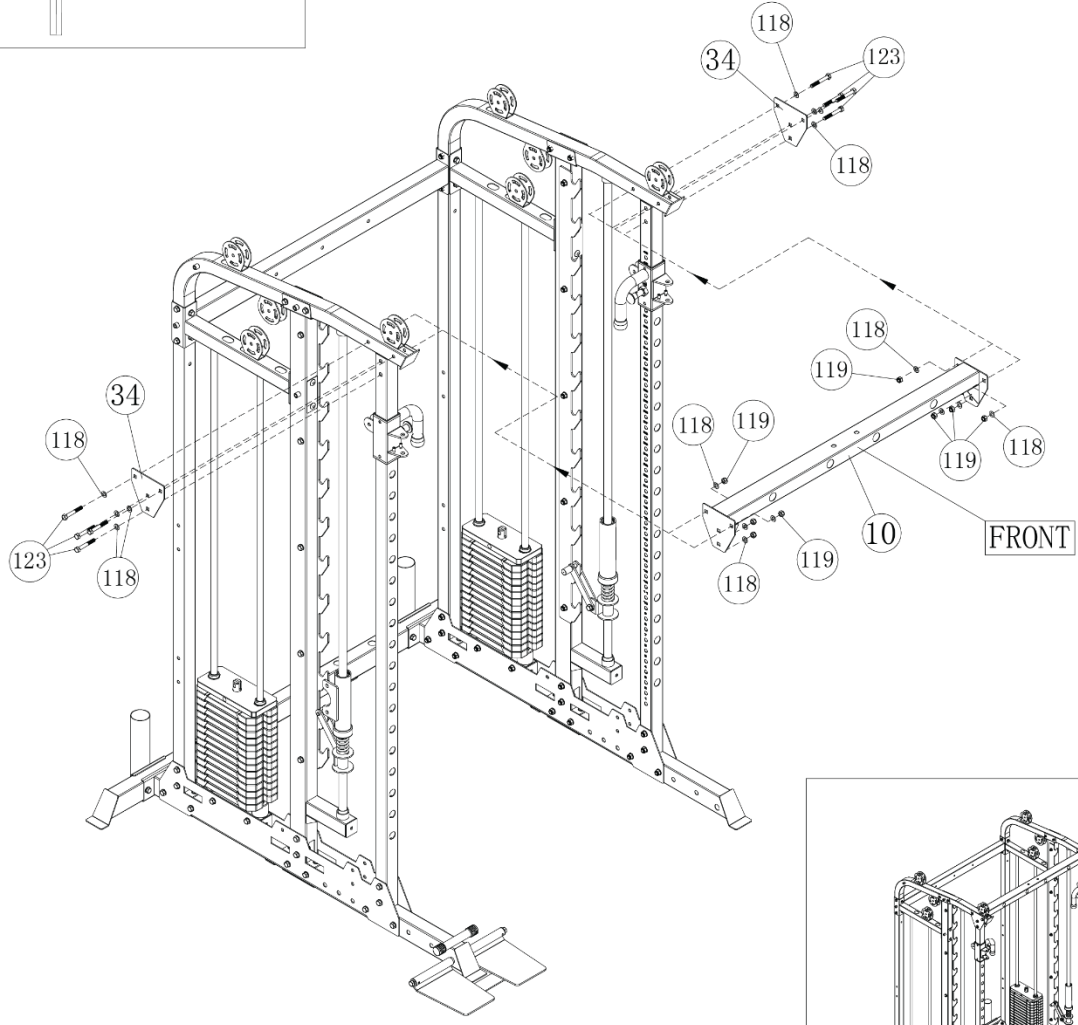
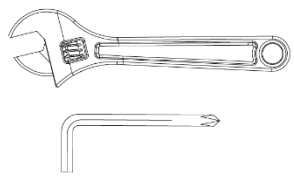
9

(123)		12	M10×2 3/4"
(118)		24	Ø 3/4"
(119)		12	M10



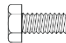




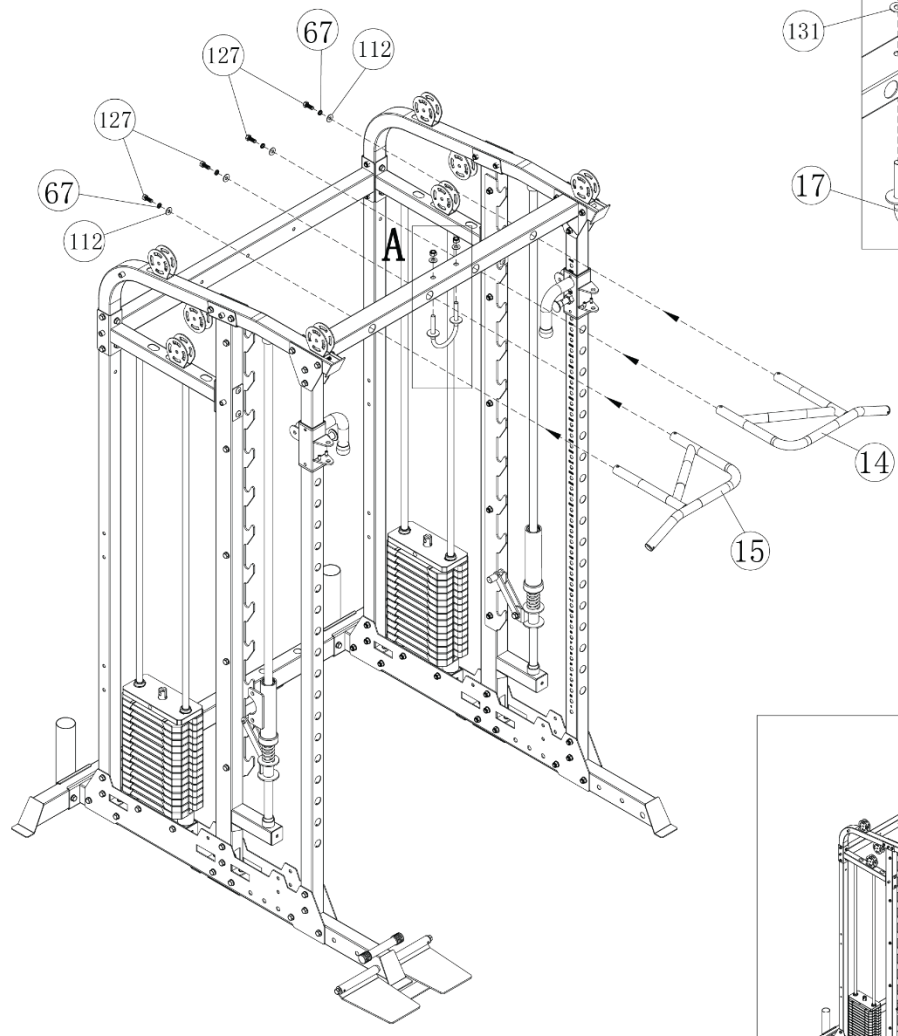
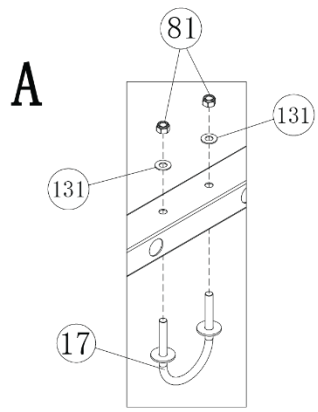
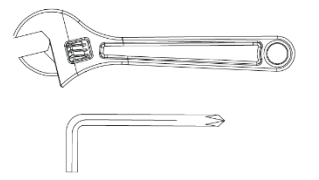
10

123		8	M10 × 2 3/4"
118		16	Ø 3/4"
119		8	M10

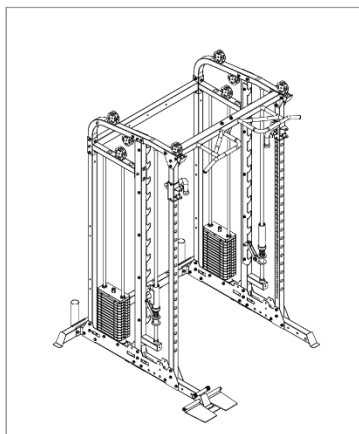




11

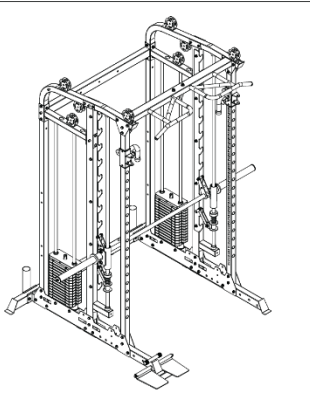
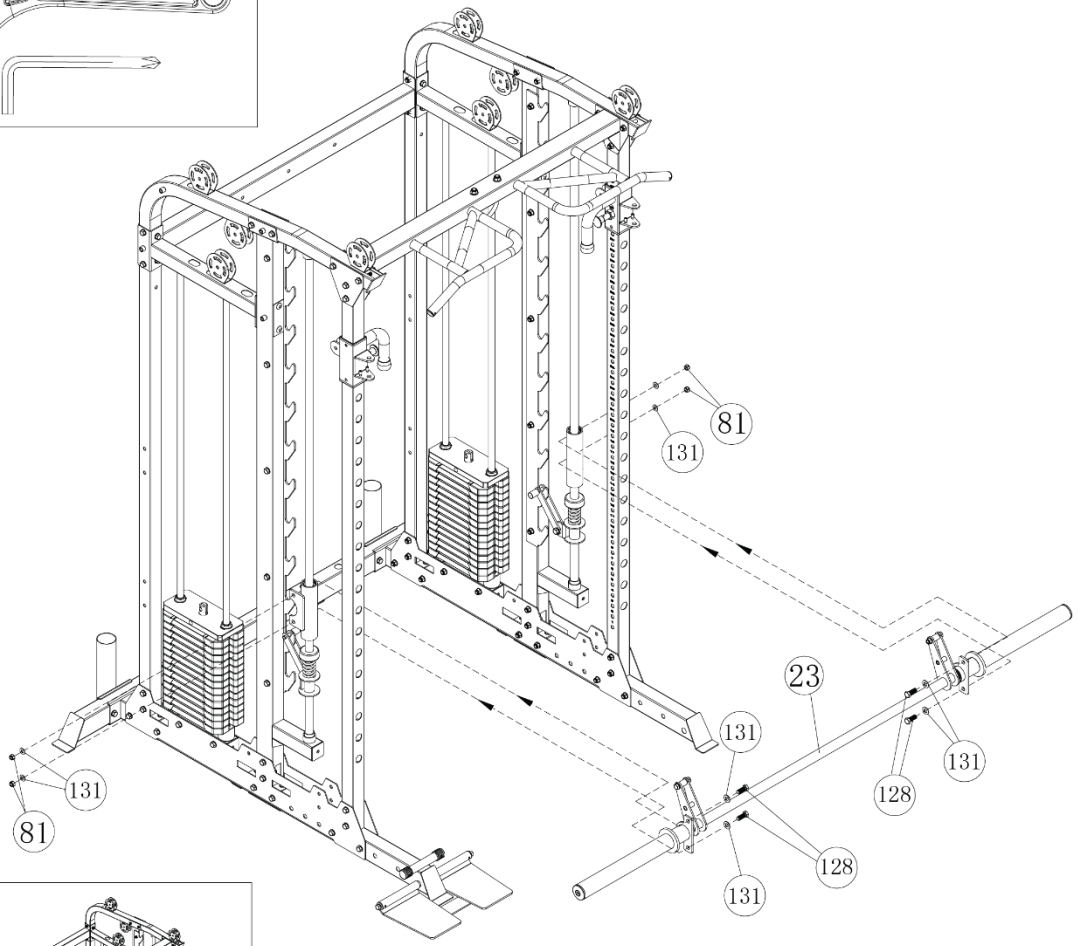
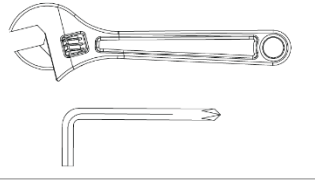
67		Spring Washer	4	$\varnothing \frac{3}{4}$ "	131		2	$\varnothing 1$ "
127			4	M10 \times 1"	81		2	M12
112			4	$\varnothing \frac{3}{4}$ " \times $\varnothing 1$ "				




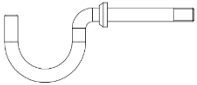


12

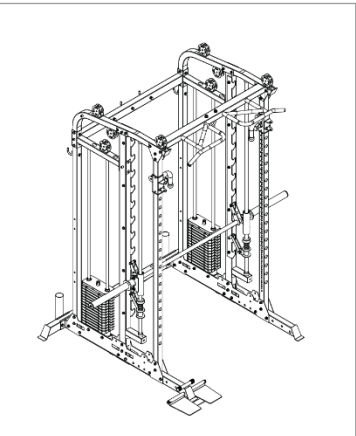
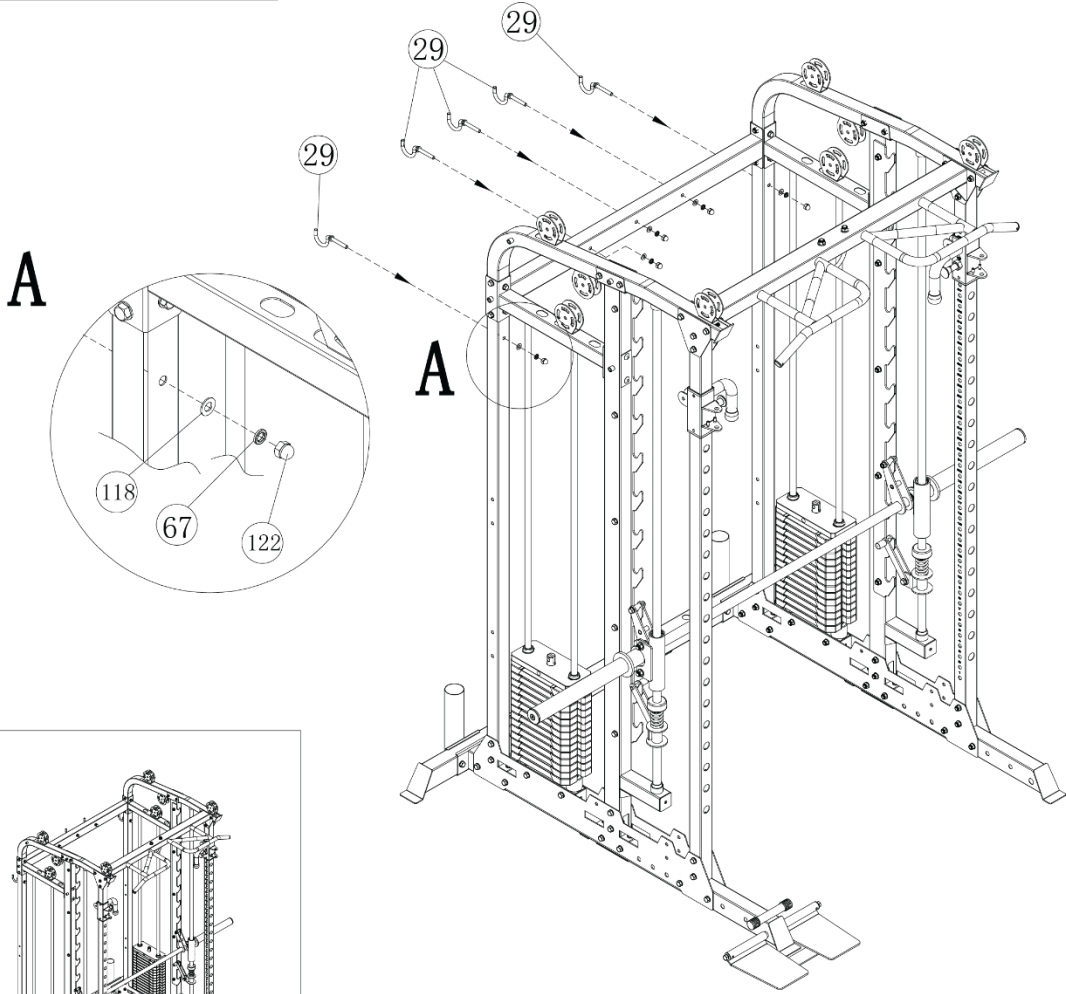
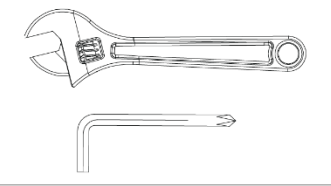


128		4	M12×1 1/8"
131		8	Ø 1"
81		4	M12






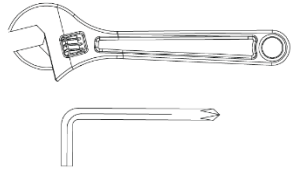
13

(67)		Spring Washer	5	$\emptyset \frac{3}{4}$	(29)		5
(118)			5	$\emptyset \frac{3}{4}$			
(122)			5	M10			

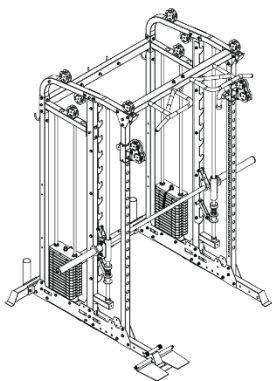
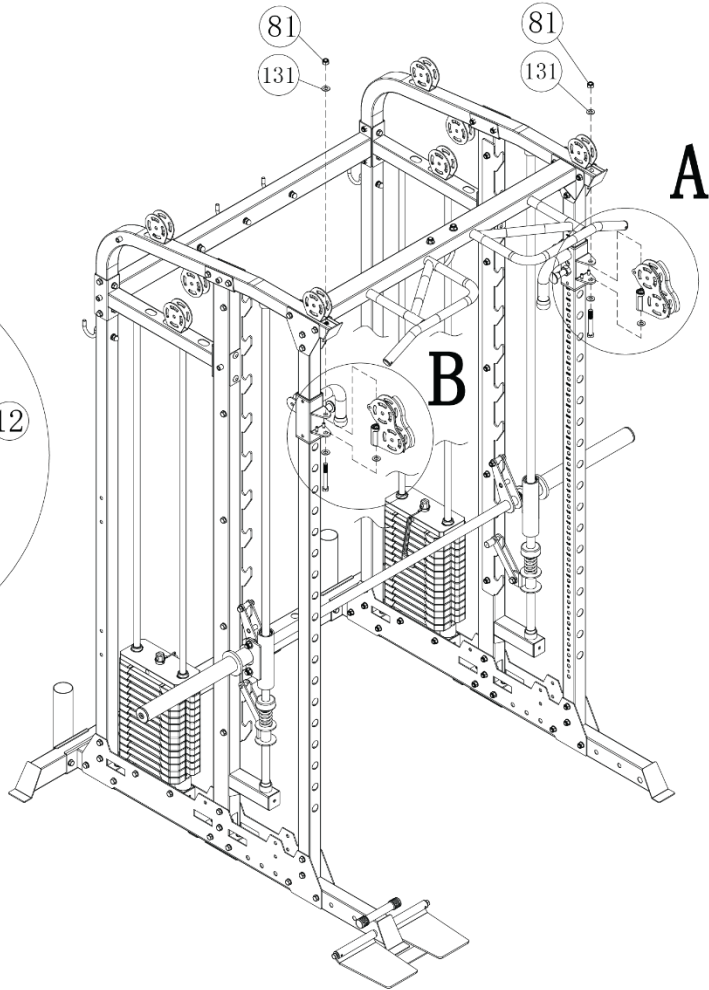
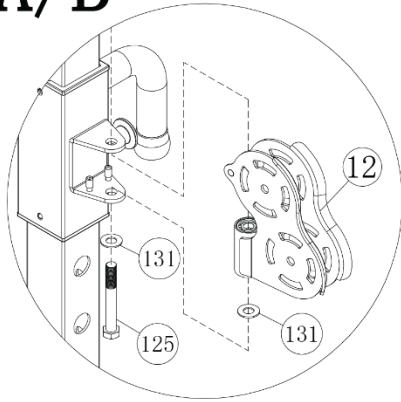


14




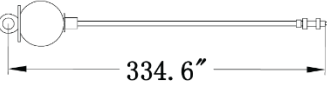

125		2	M12×3 1/2"
134		6	Ø 1"
81		2	M12

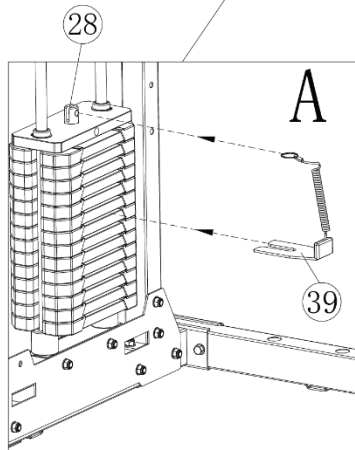
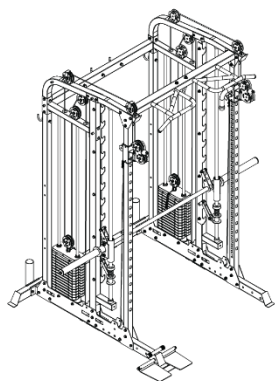
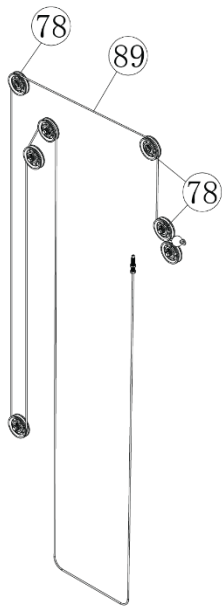
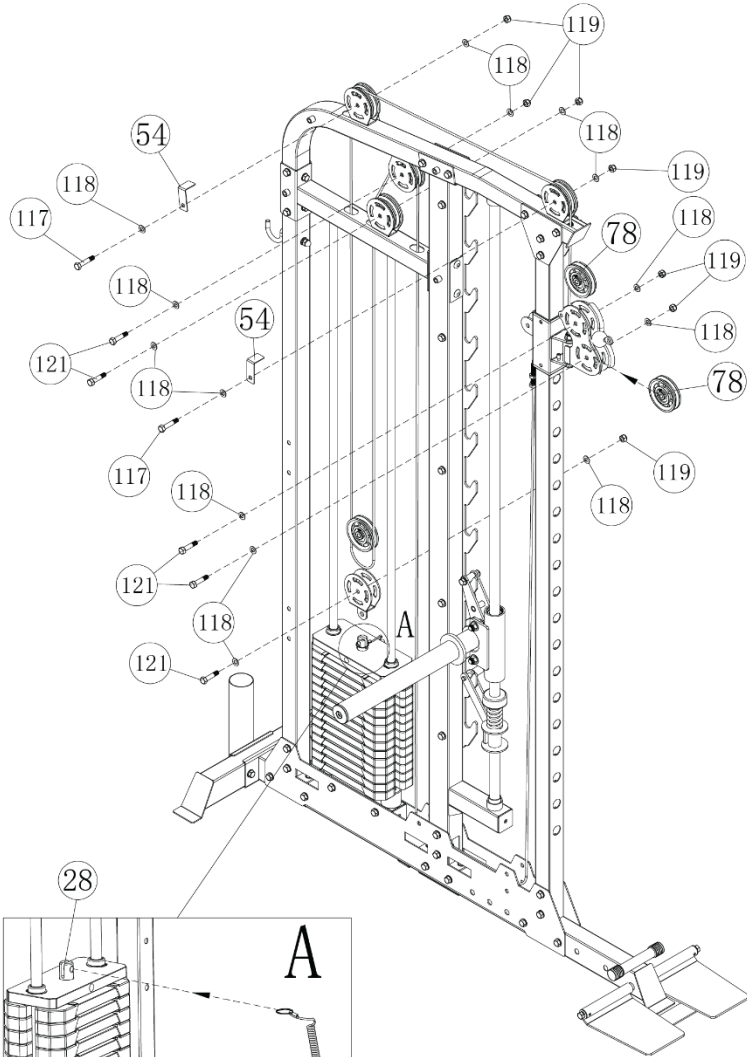
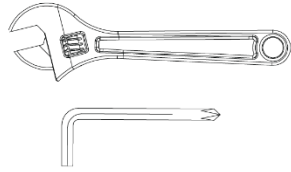


A/B


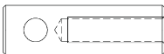




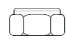


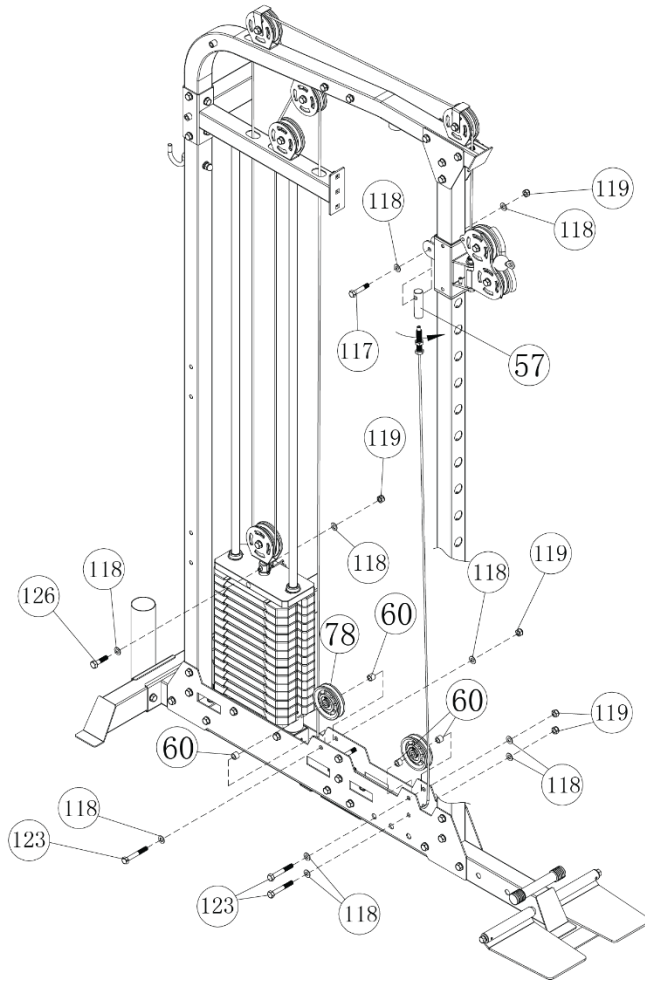
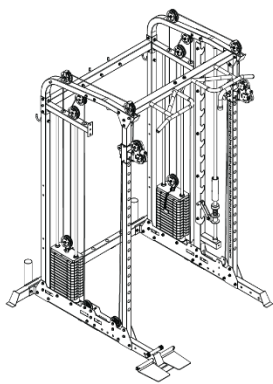
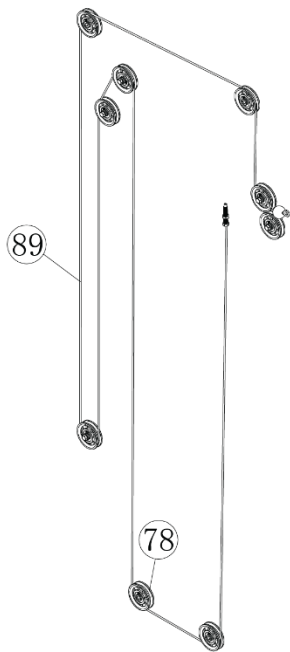
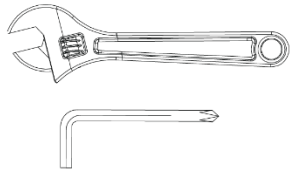
15

117		4	M10×2 "	121		10	M10×1 $\frac{3}{4}$ "
118		28	$\varnothing \frac{3}{4}$ "	89		2	334.6"
119		14	M10				

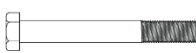




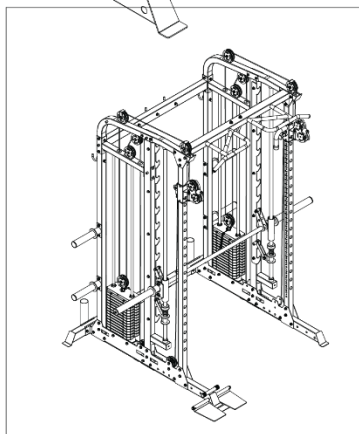
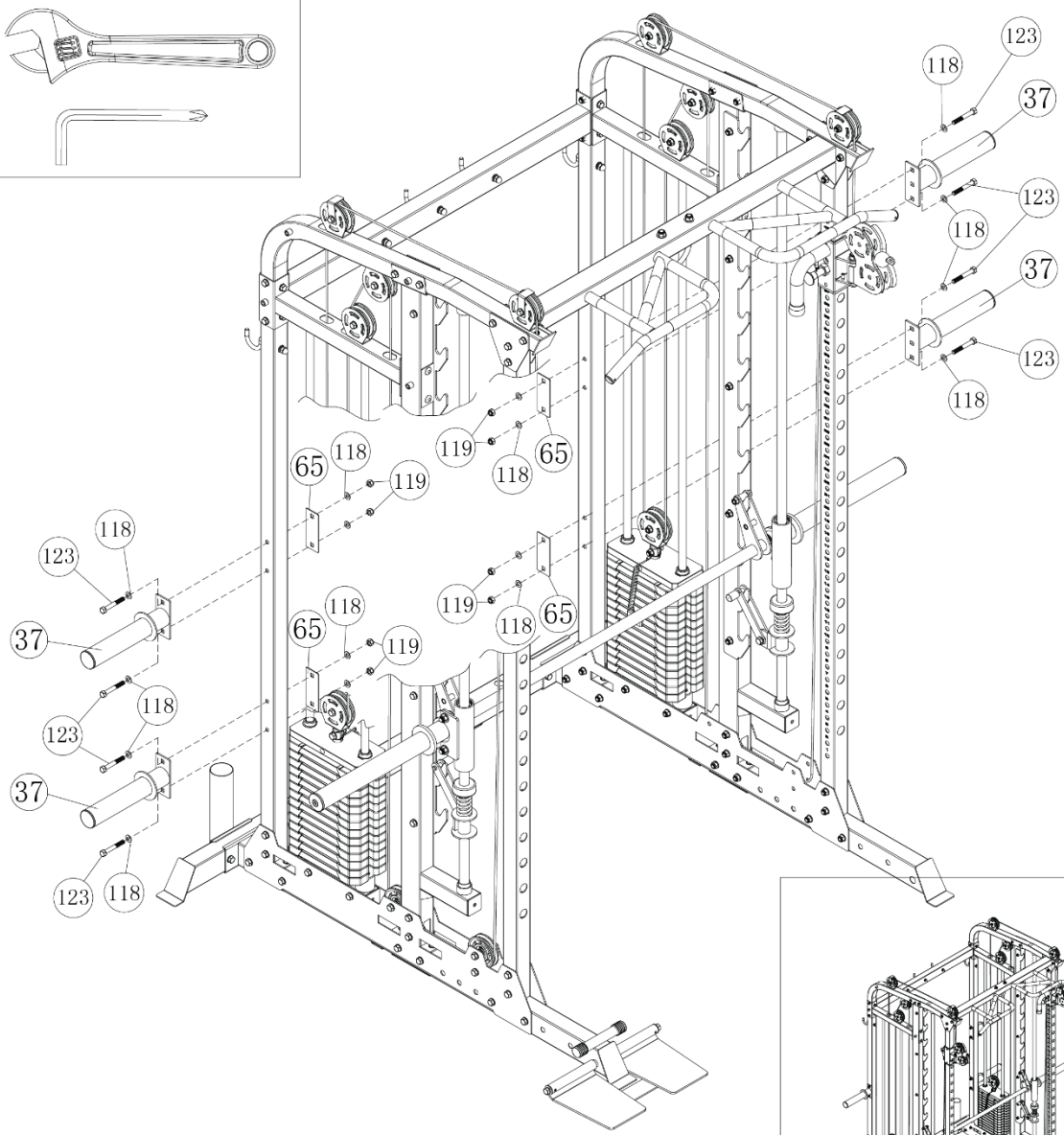
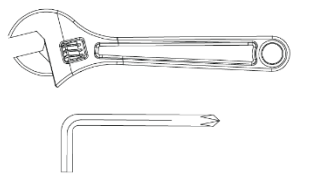
16

(117)		2	M10×2 "	(57)		2	Ø 1"×3"×1/2
(123)		6	M10×2 3/4	(60)		8	Ø 1/2"×Ø 3/8"×1/2"
(126)		2	M10×1 1/2	(118)		20	Ø 3/4
				(119)		10	M10



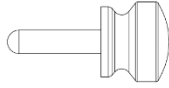
17

123		8	M10 × 2 3/4"
118		16	Ø 3/4"
119		8	M10



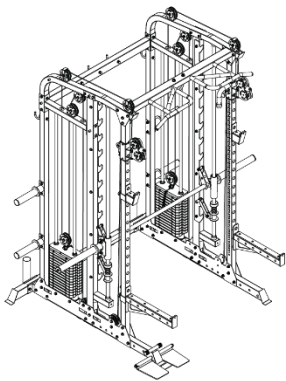
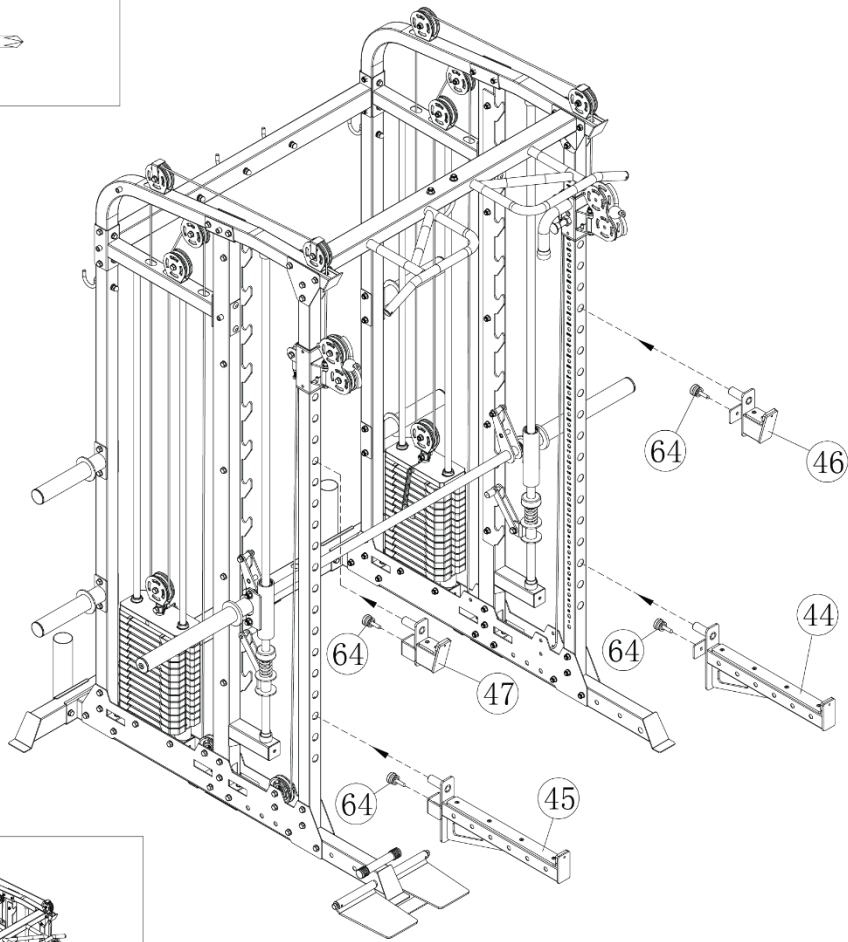
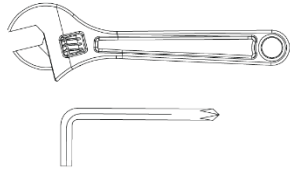
18

64

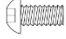





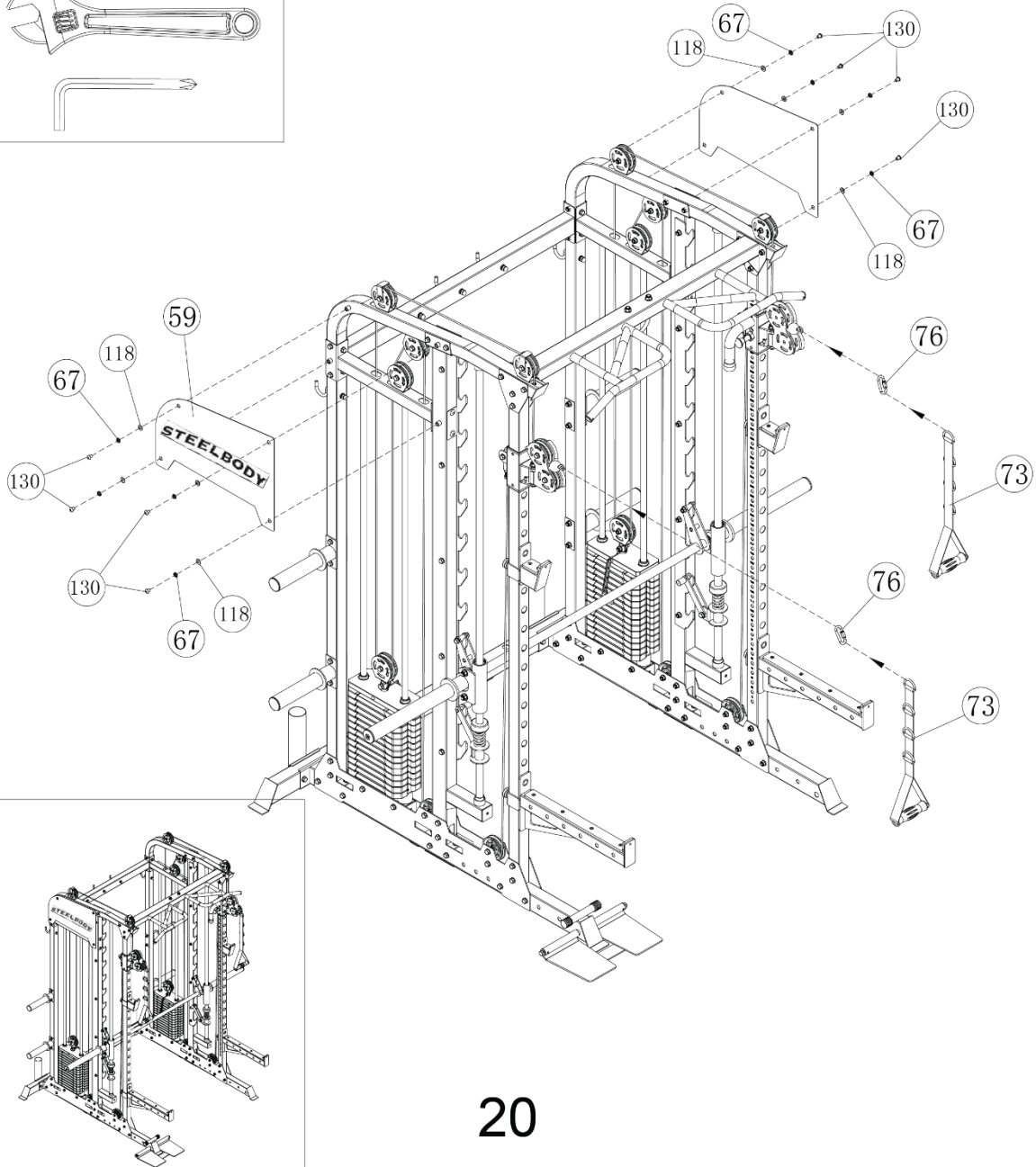
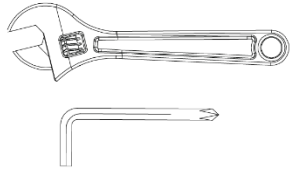
4


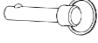


$\emptyset 1\frac{3}{8}'' \times \emptyset \frac{3}{8}'' \times 2\frac{3}{4}''$

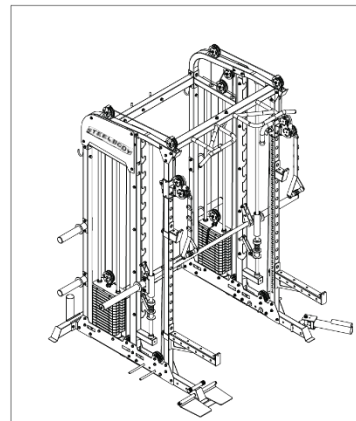
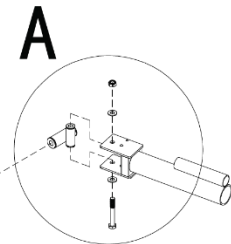
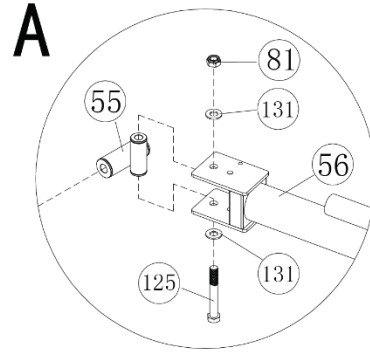
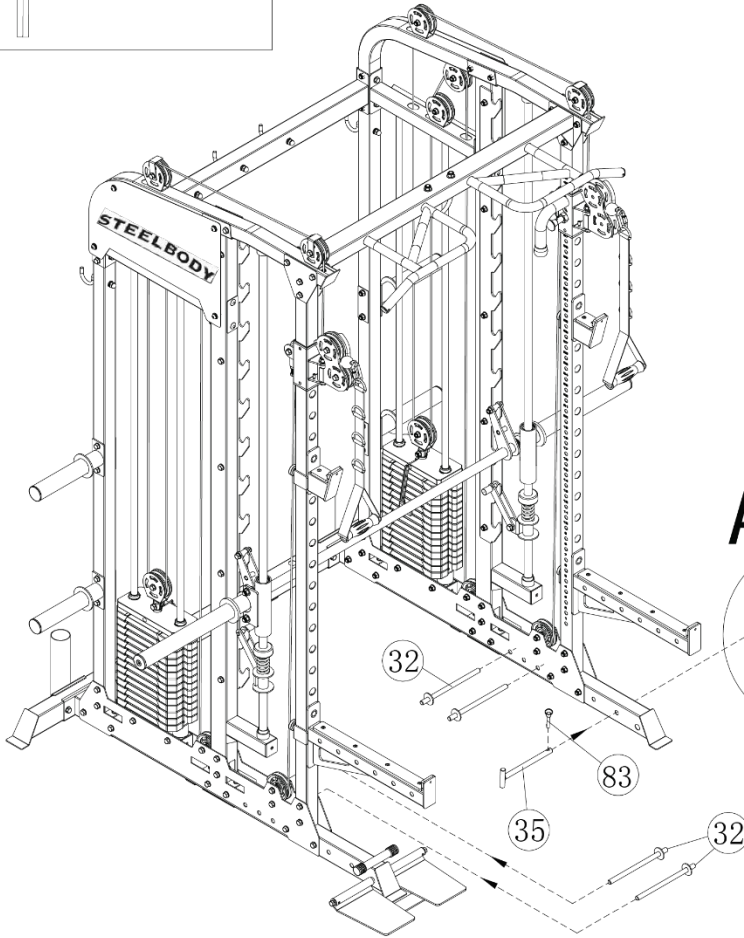
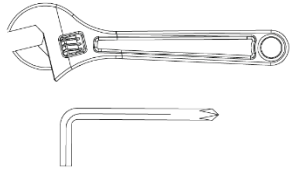


19

130		8	M10 × 1/2"	76		2
118		8	Ø 3/4"	Locking Carabiner Clip		
67		8	Ø 3/4" Spring Washer			



125		1	M12×3 1/2"	83		1
131		2	Ø 1"			
81		1	M12			

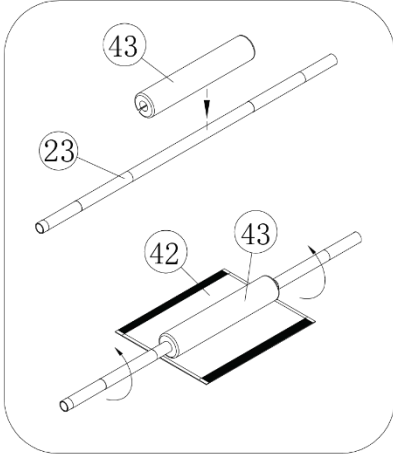


21

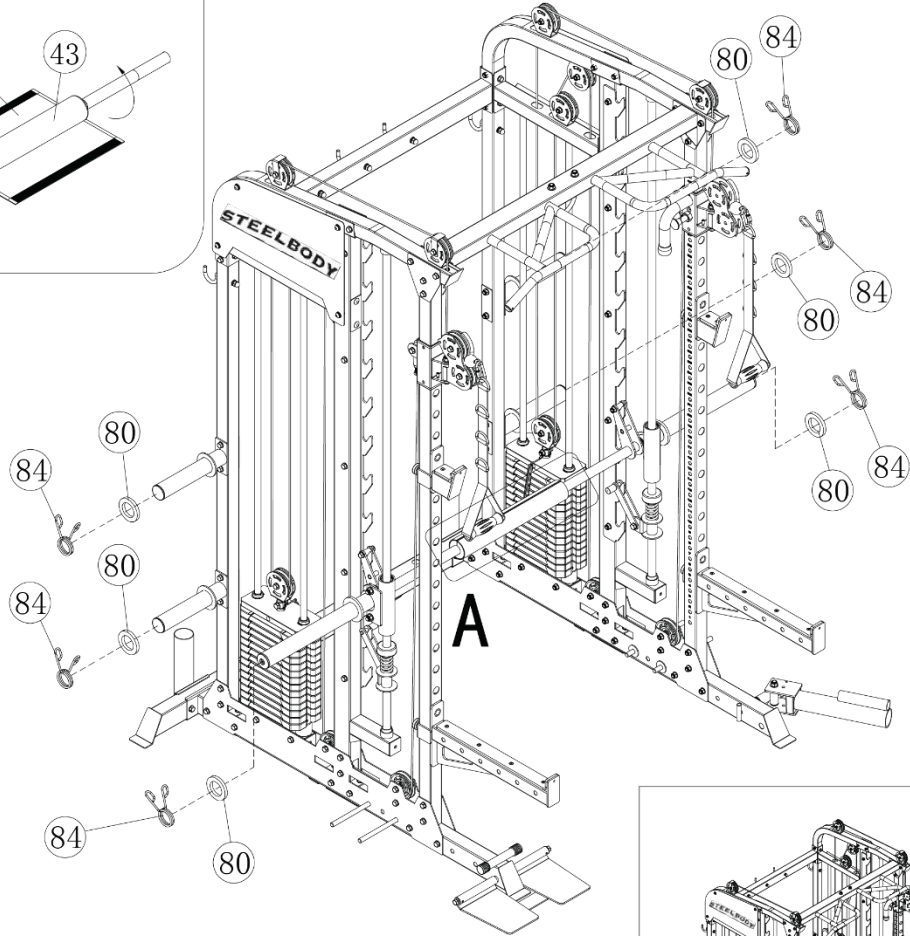
84



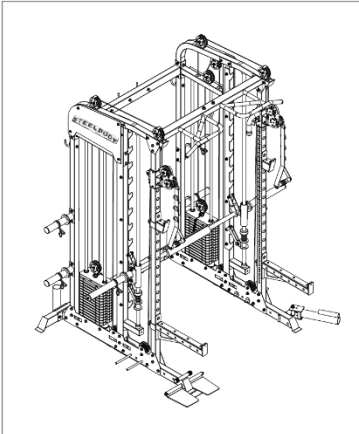
6



A



A



22

76



4

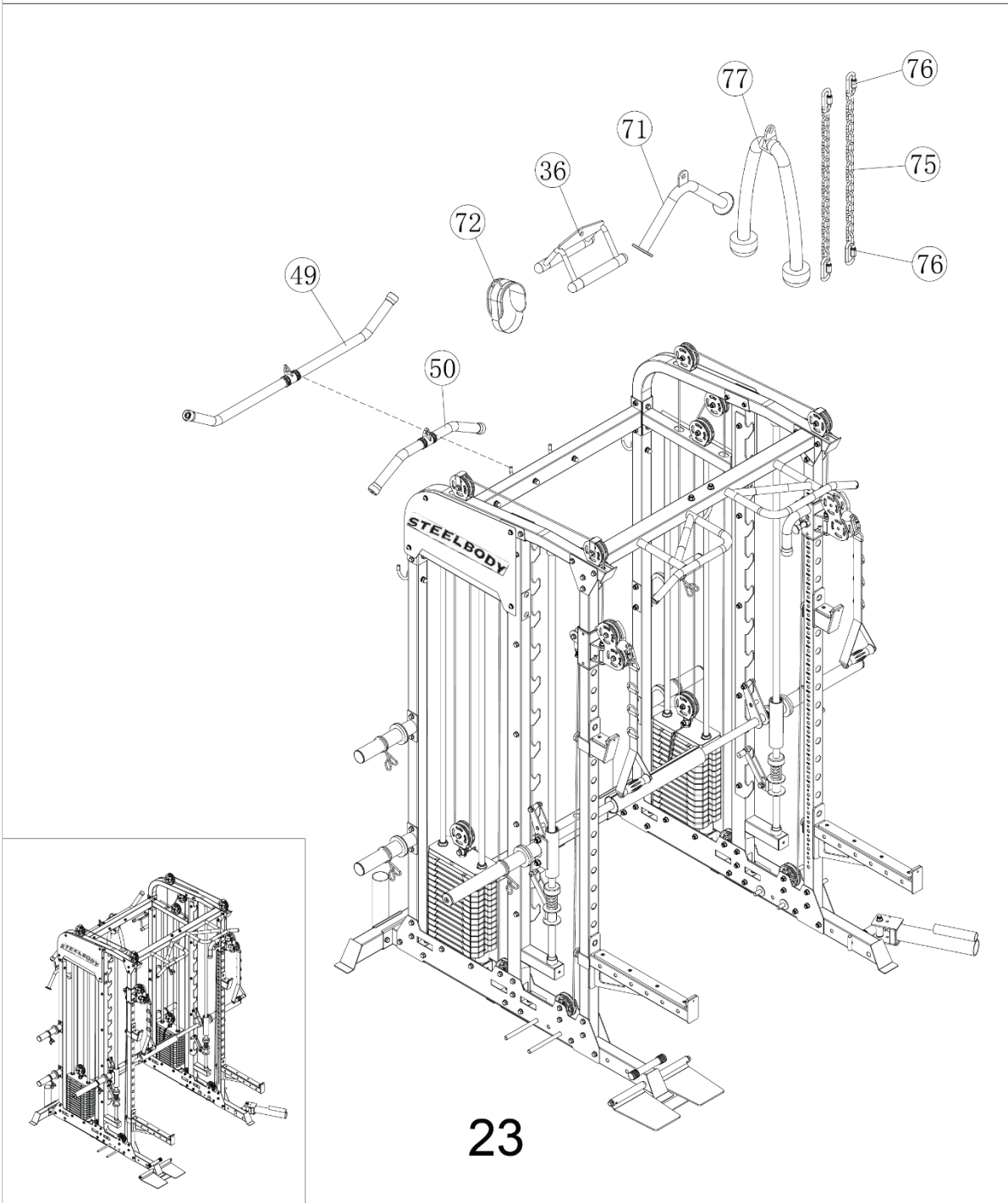
Locking Carabiner Clip

75



2

Chain

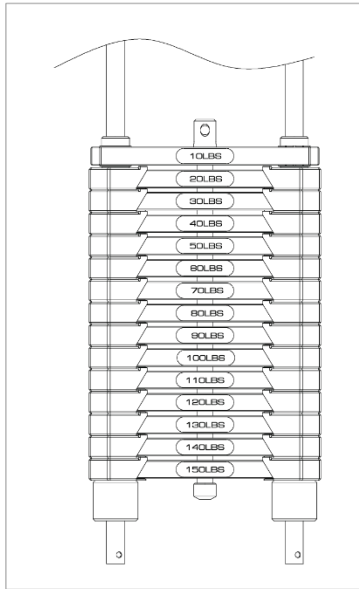
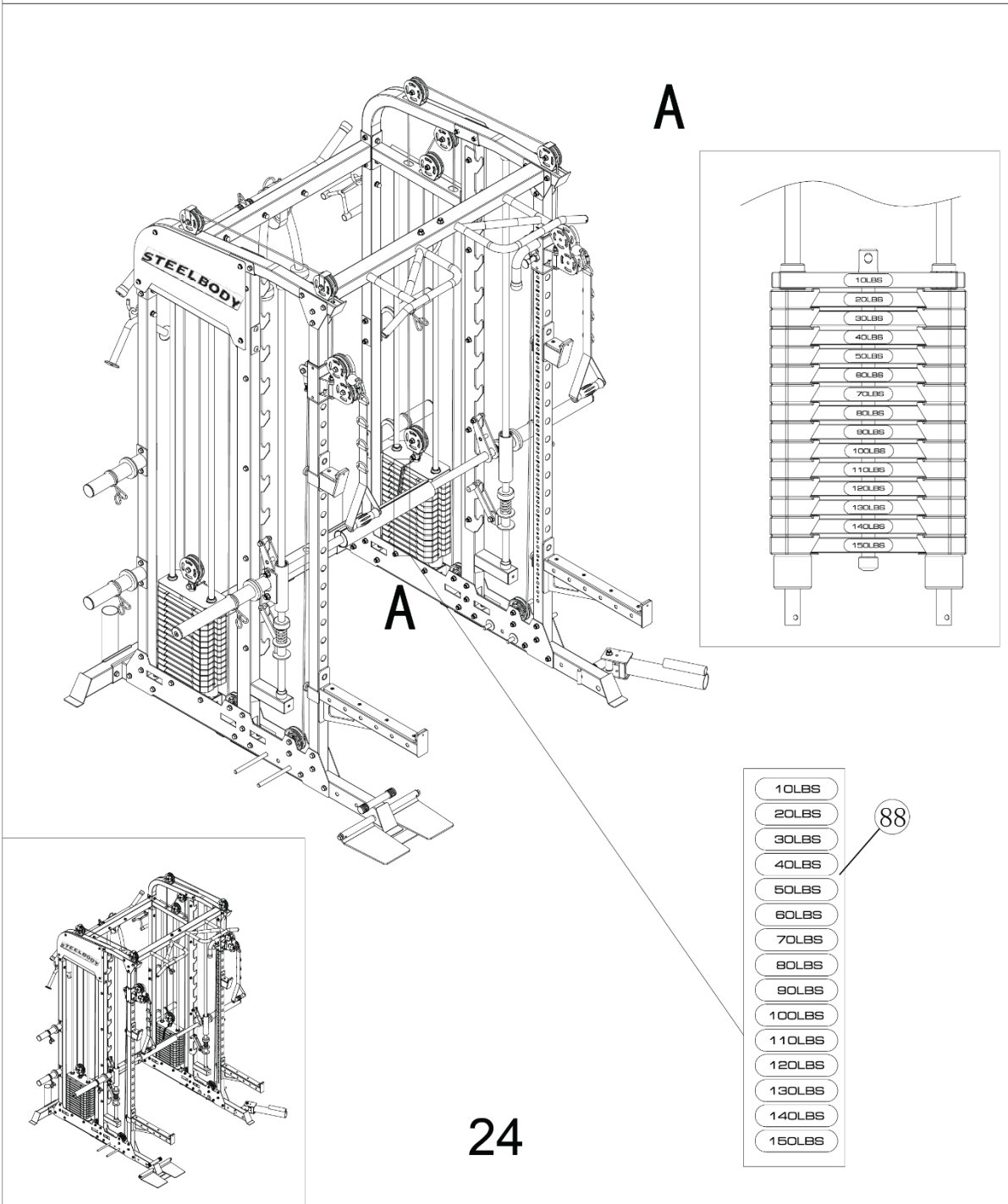


23

88

- 10LBS
- 20LBS
- 30LBS
- 40LBS
- 50LBS
- 60LBS
- 70LBS
- 80LBS
- 90LBS
- 100LBS
- 110LBS
- 120LBS
- 130LBS
- 140LBS
- 150LBS

2



- 10LBS
- 20LBS
- 30LBS
- 40LBS
- 50LBS
- 60LBS
- 70LBS
- 80LBS
- 90LBS
- 100LBS
- 110LBS
- 120LBS
- 130LBS
- 140LBS
- 150LBS

88

24

IMPEX® INC.

2801 S. Towne Ave, Pomona, CA 91766

Tel: (800) 999-8899 Fax: (626) 961-9966

www.marcypro.com

support@impex-fitness.com