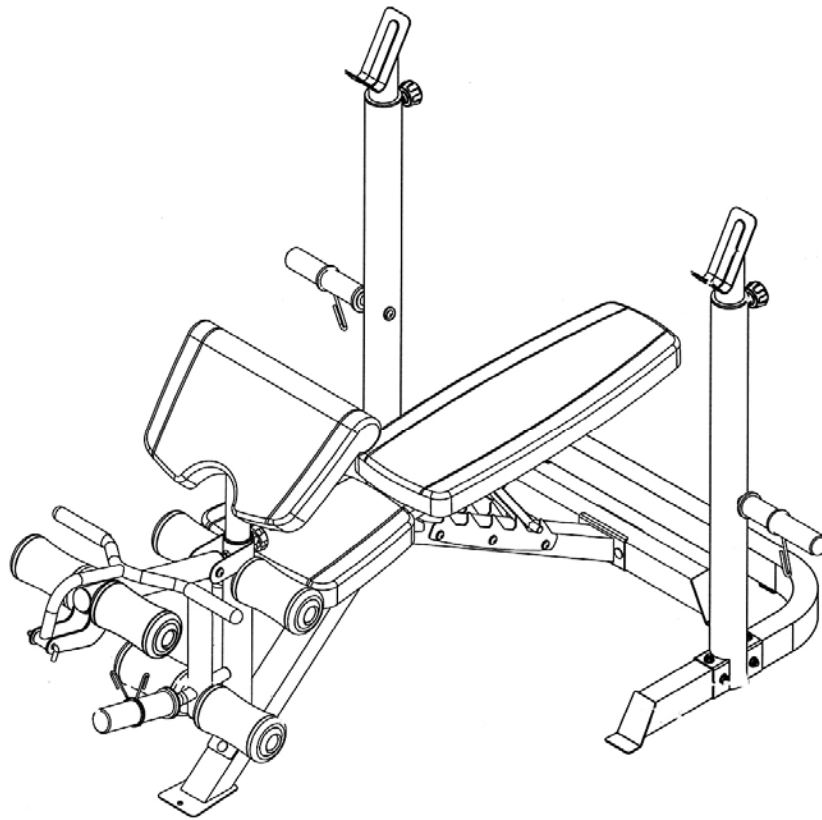


IMPEX

F I T N E S S P R O D U C T S

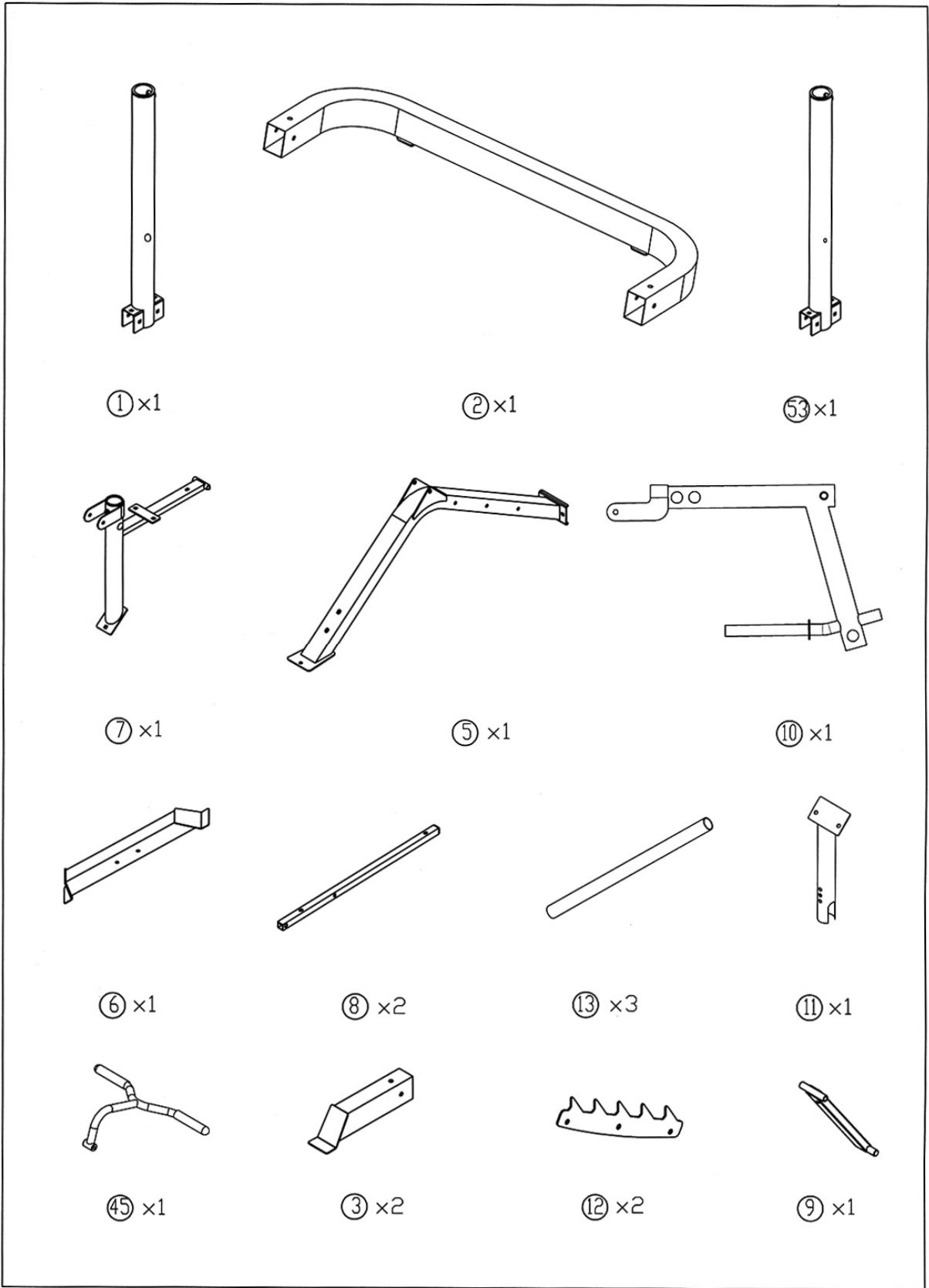
MARCY DIAMOND OLYMPIC BENCH MD-879

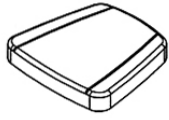


IMPORTANT: Please read the Important Safety Notice and Assembly Information in the Owner's manual before assembling this product.

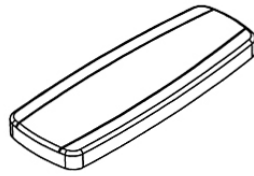
Assembly Manual

120727





①⑥ ×1



①⑦ ×1



①⑧ ×1



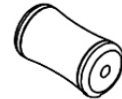
①④ ×3



①⑨ ×2



②⑥ ×6



②⑦ ×6



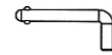
②⑧ ×1



②⑨ ×3



③⑦ ×3



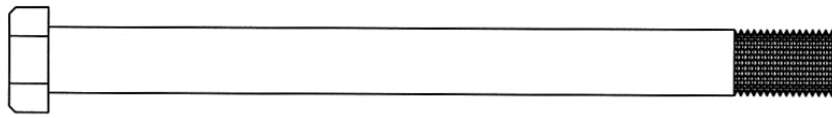
④⑦ ×1



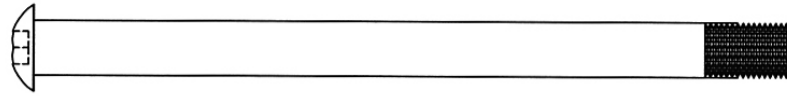
④ ×2



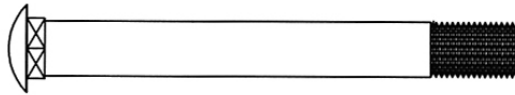
⑤⑦ ×2



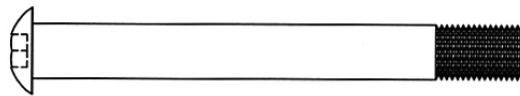
31 X 1



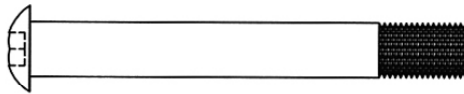
34 X 1



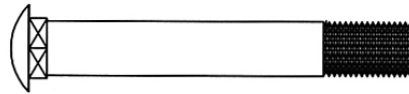
32 X 4



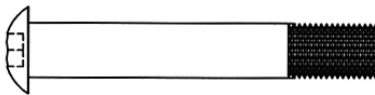
35 X 3



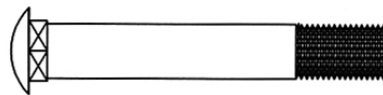
36 X 1



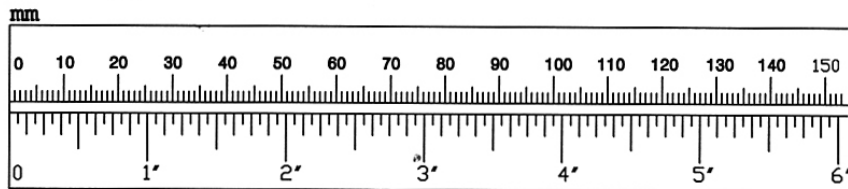
33 X 6



37 X 1

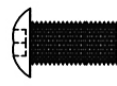


45 X 1





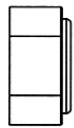
38 X 5



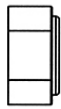
39 X 4



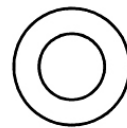
52 X 2



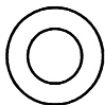
43 X 1



44 X 16



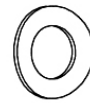
40 X 2



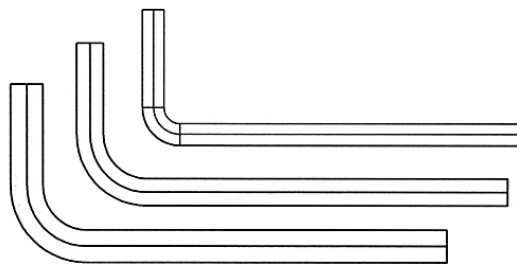
41 X 22



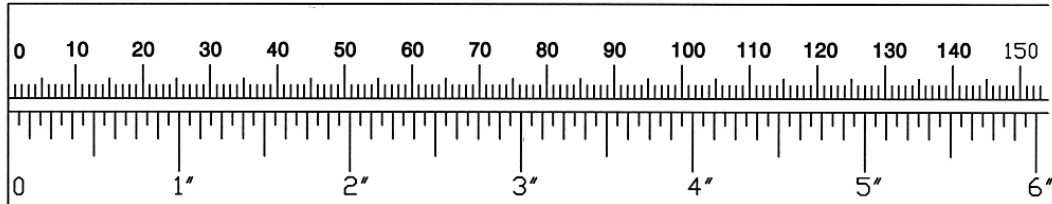
42 X 9



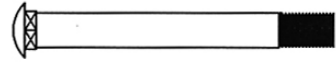
51 X 2



mm

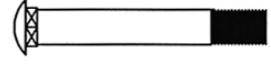


③② X 4



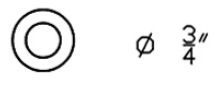
M10 x 3 1/2"

③③ X 4



M10 x 2 3/4"

④① X 8



∅ 3/4"

⑤① X 2



∅ 3/4"

④④ X 8

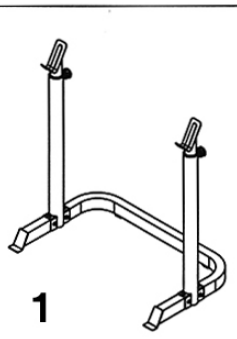
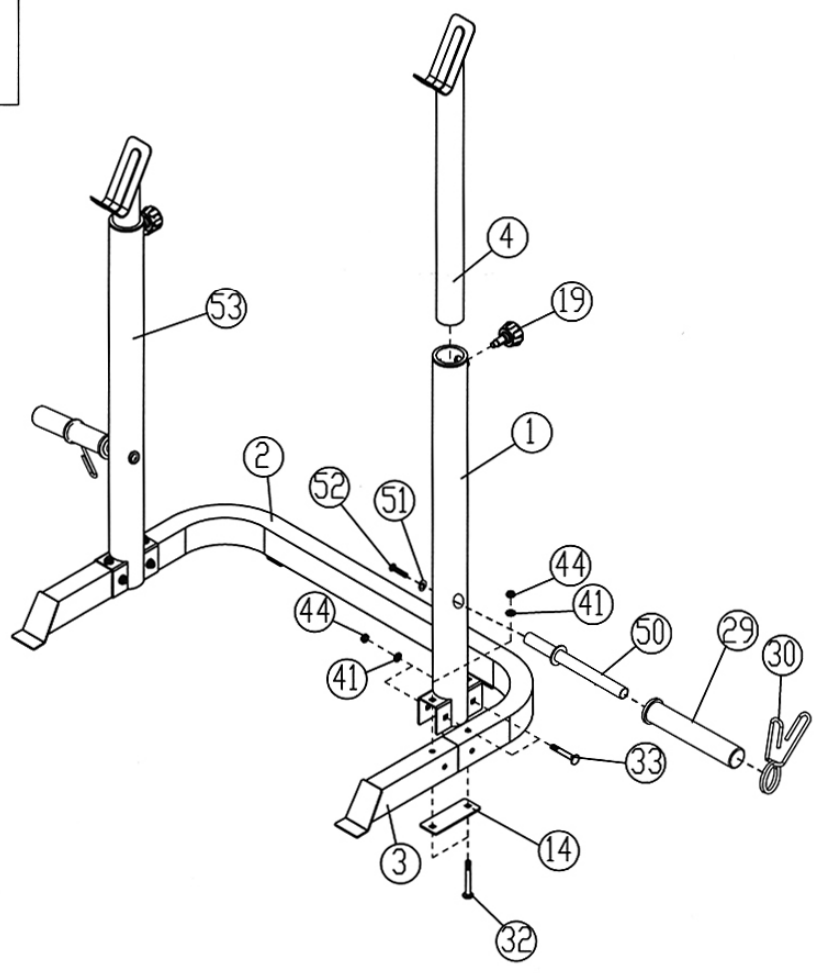
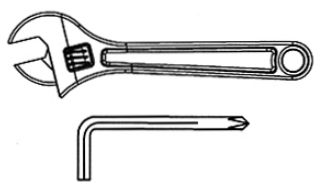


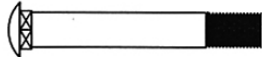
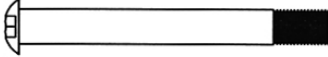


M10

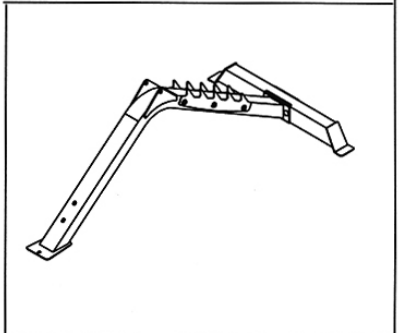
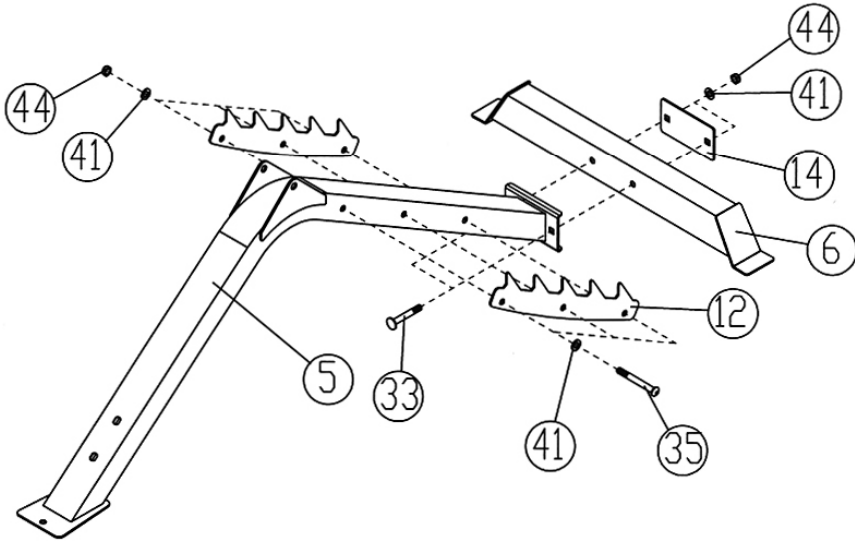
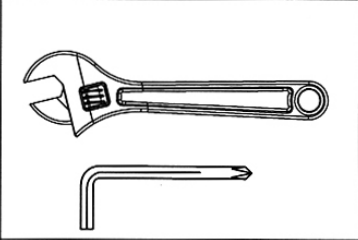
⑤② X 2



M10 x 1"

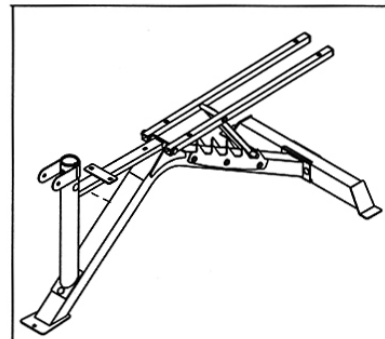
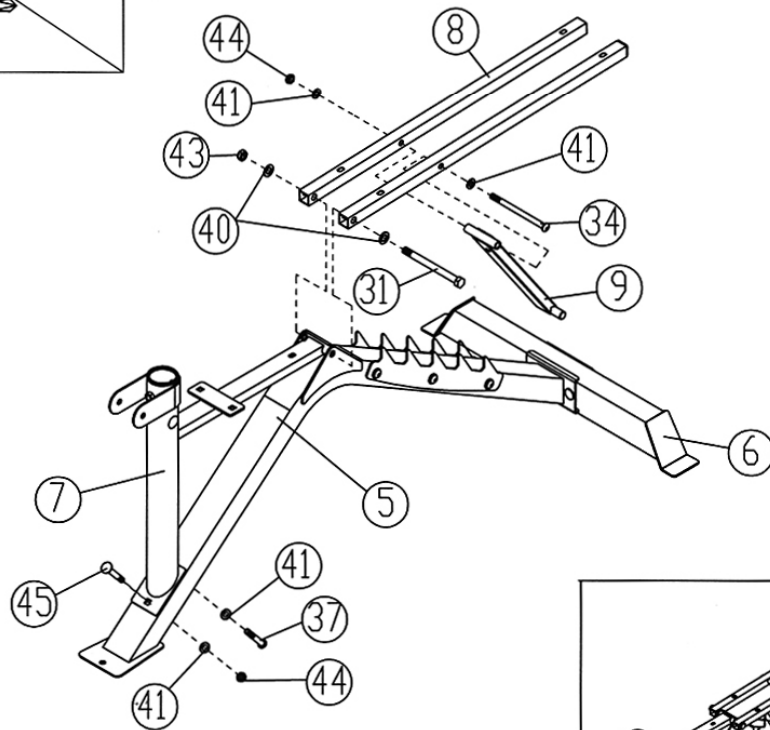
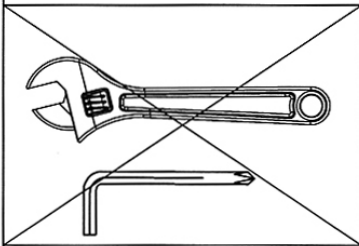


③③ X 2		M10 × 2 3/4"
③⑤ X 3		M10 × 3 1/2"
④① X 8		∅ 3/4"
④④ X 5		M10



2

- | | | | | | |
|--------|--|--------------|--------|--|-----|
| ③① X 1 | | M12 x 5 3/4" | | | |
| ④⑤ X 1 | | M10 x 2 1/2" | | | |
| ③④ X 1 | | M10 x 5 1/2" | | | |
| ③⑦ X 1 | | M10X62mm | | | |
| ④① X 2 | | ∅ 1" | ④③ X 1 | | M12 |
| ④① X 4 | | ∅ 3/4" | ④④ X 2 | | M10 |



3

38 X 5



M8 x 1 5/8"

39 X 2

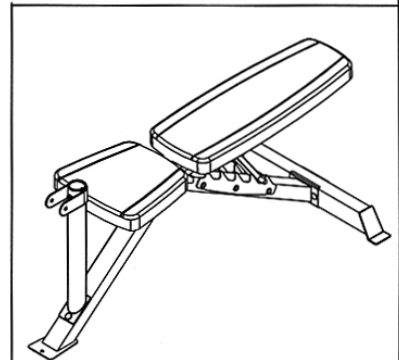
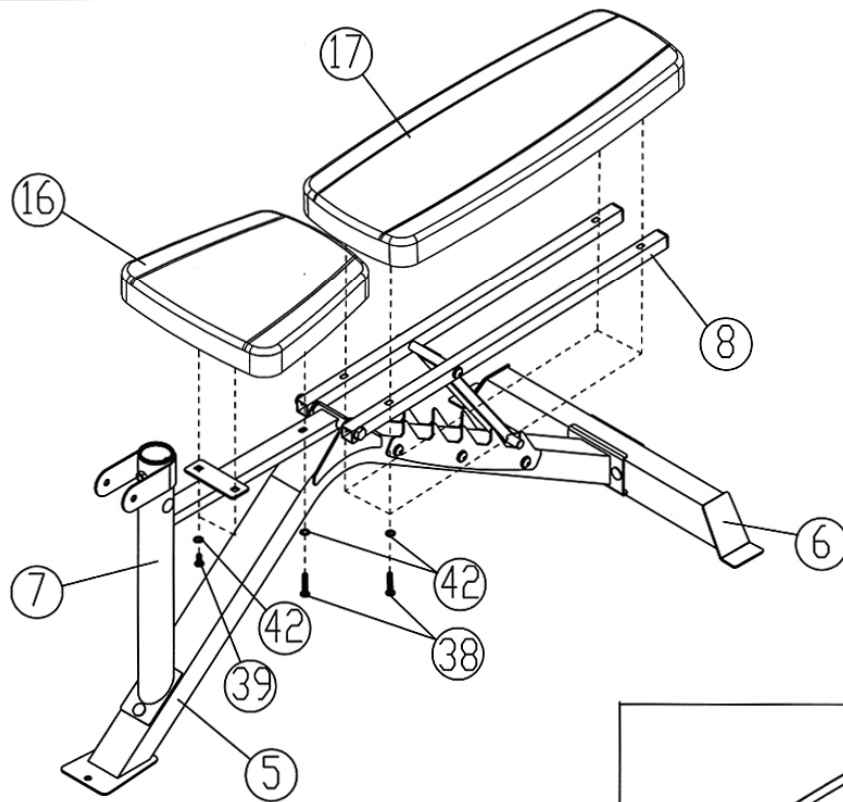
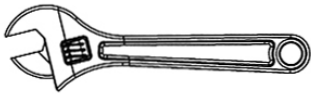


M8 x 3/4"

42 X 7

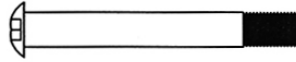


∅ 5/8"



4

36 X 1



M10 x 3 1/8"

41 X 2

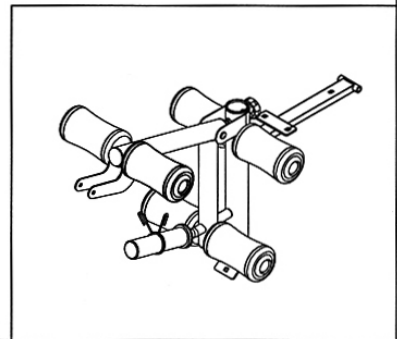
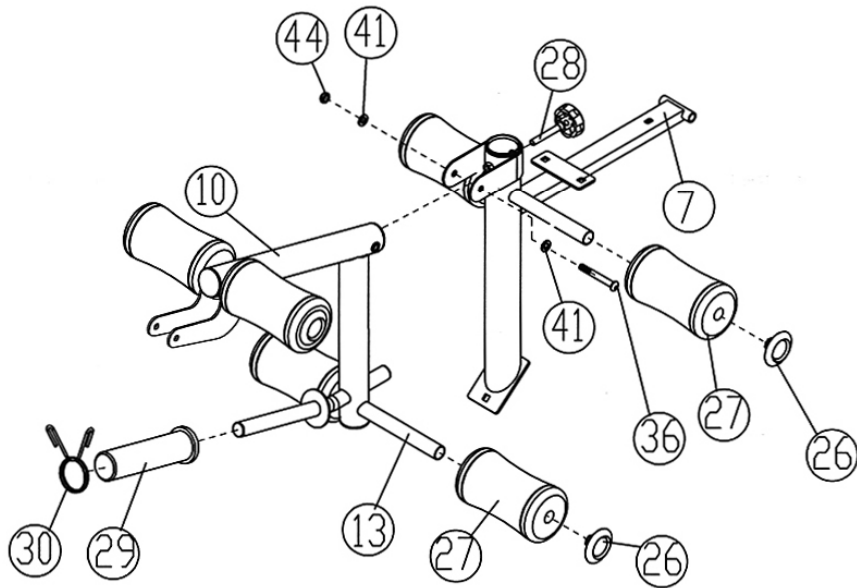
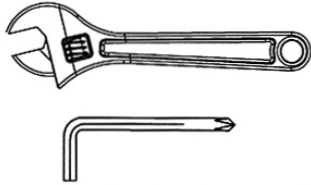


∅ 3/4"

44 X 1



M10



5

39 X 2

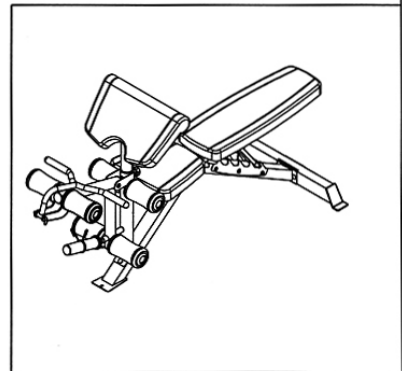
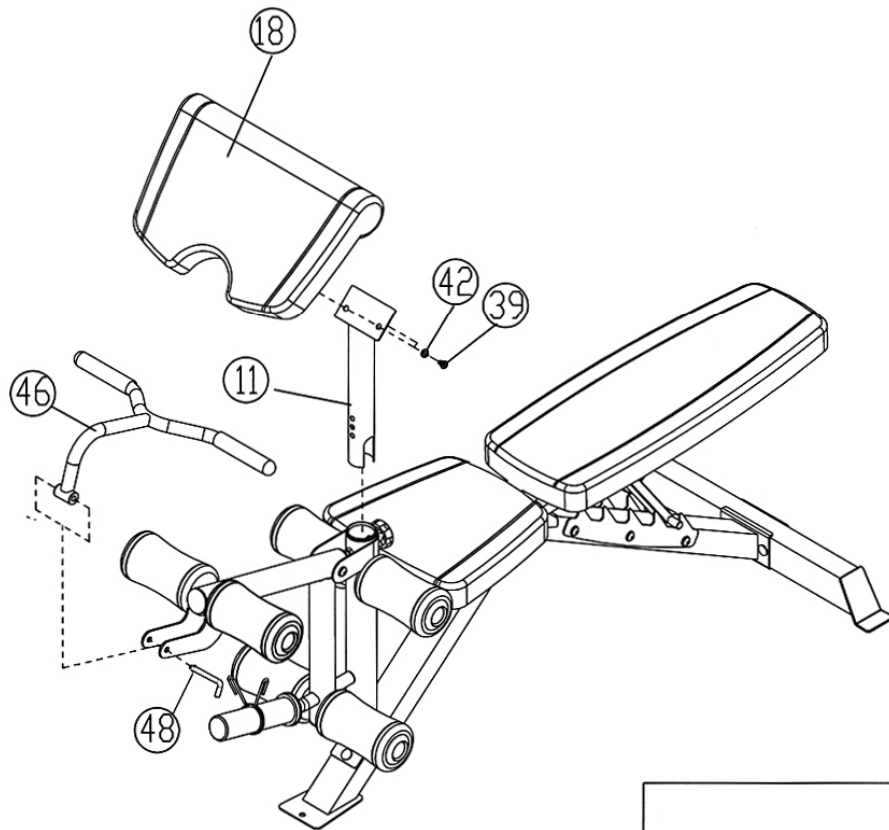
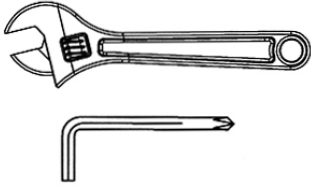


M8 x 3/4"

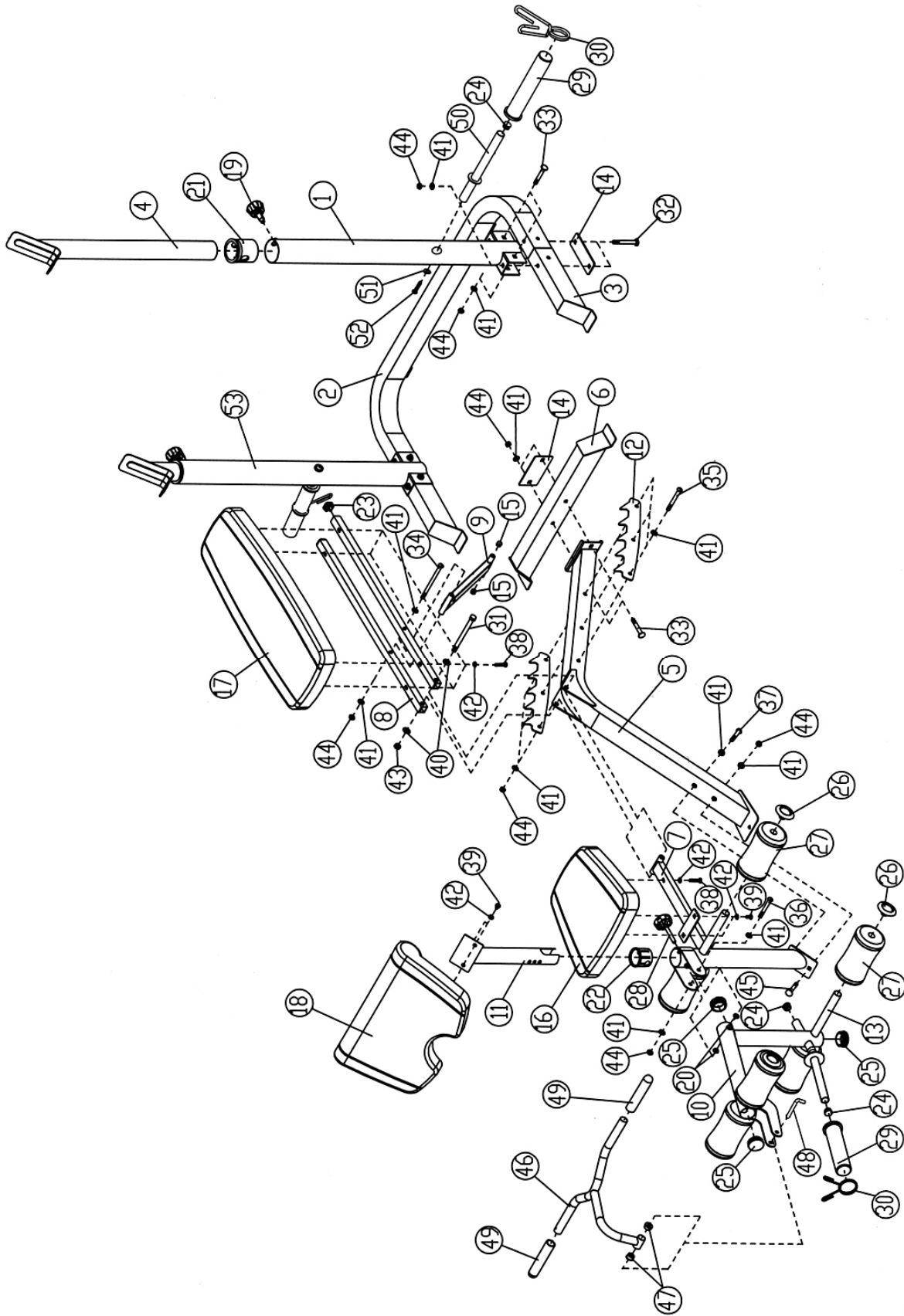
42 X 2



Ø 5"



6



IMPEX[®] INC.

2801 South Towne Avenue, Pomona, California 91766

Tel: (800) 999-8899 Fax: (626) 961-9966

www.impex-fitness.com

info@impex-fitness.com