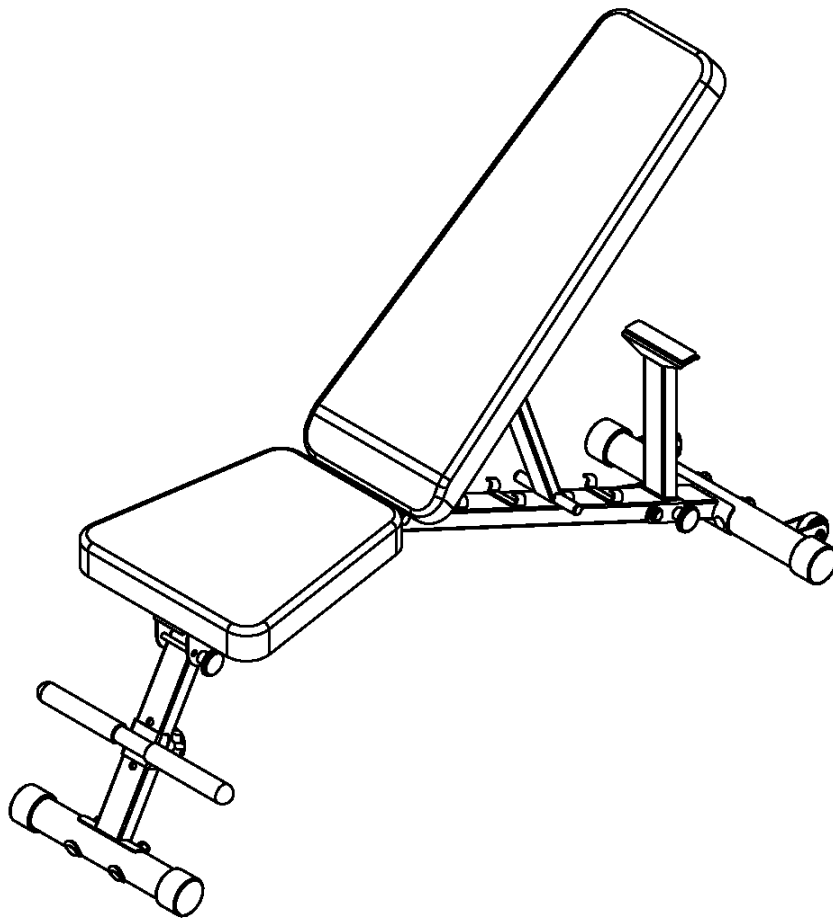




UTILITY BENCH

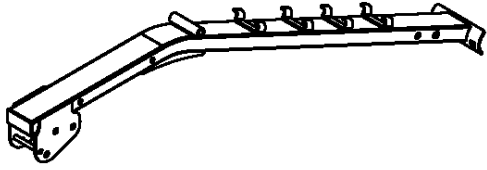
AMZ-617BN



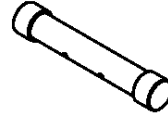
IMPORTANT: Please read the Important Safety Notice and Assembly Information in the Owner's manual before assembling this product.

Assembly Manual

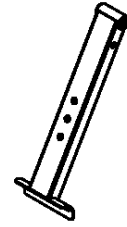
190716



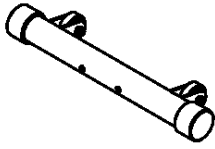
① × 1



② × 1



③ × 1



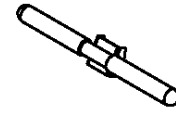
④ × 1



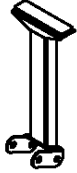
⑤ × 2



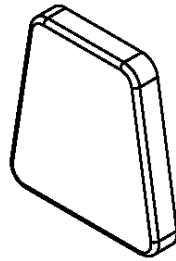
⑥ × 1



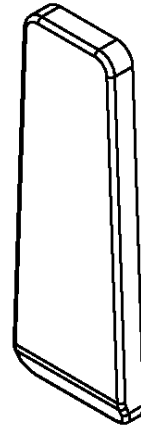
⑦ × 1



⑧ × 1



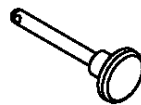
⑨ × 1



⑩ × 1



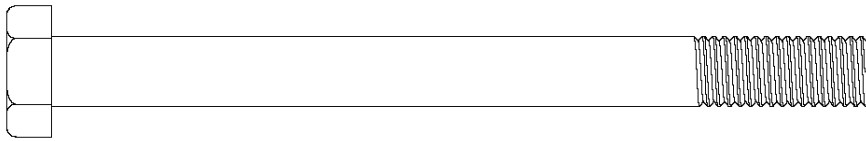
⑭ × 4



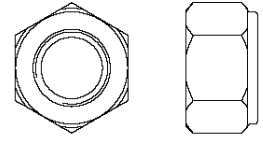
⑮ × 2



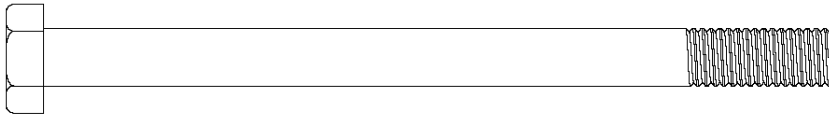
⑯ × 1



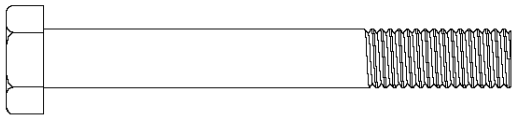
22 x 1



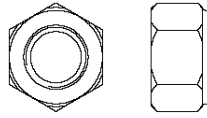
30 x 1



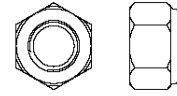
23 x 1



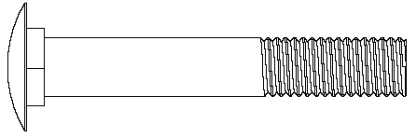
24 x 2



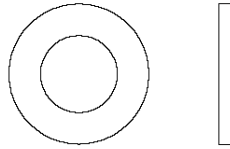
31 x 7



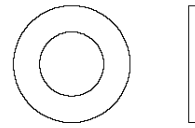
32 x 2



25 x 4



33 x 2



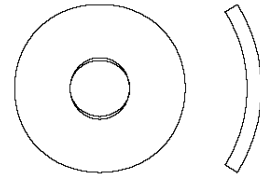
34 x 6



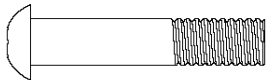
26 x 2



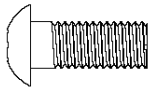
35 x 12



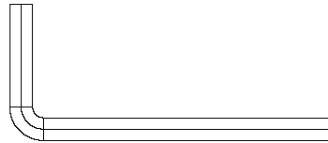
36 x 4



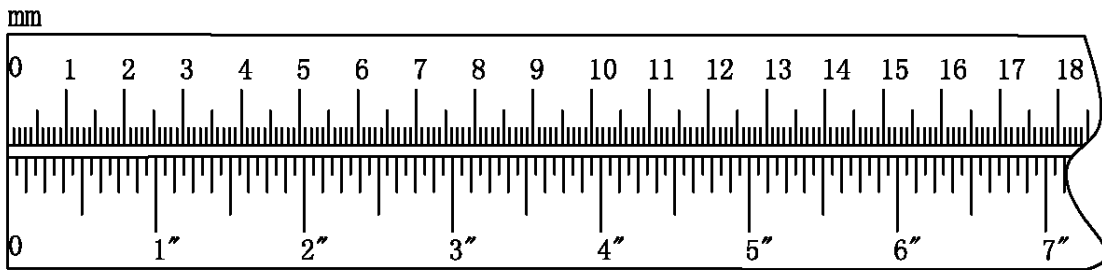
28 x 4



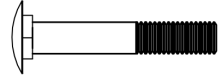
29 x 4



5#x1



25



x 2

M10 x 2 1/2"

36



x 2

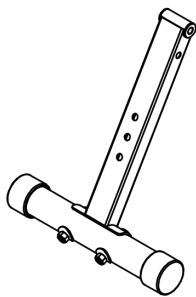
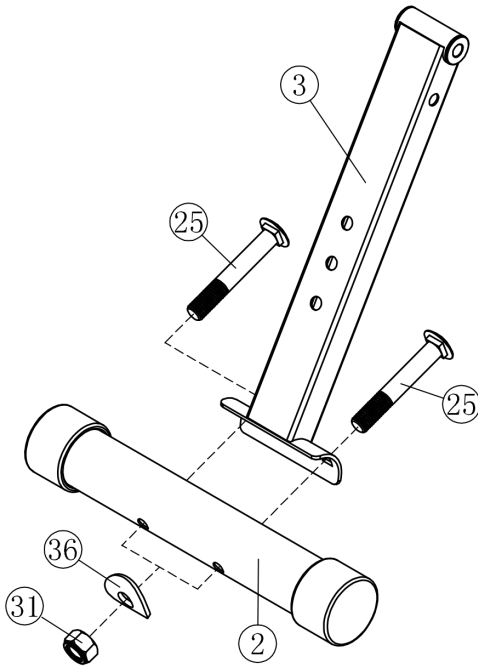
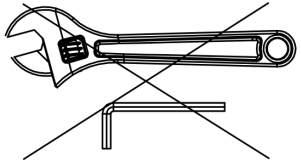
Φ 1 1/8"

31



x 2

M10



1

24



x 1

M10x3 1/8"

34



x 2

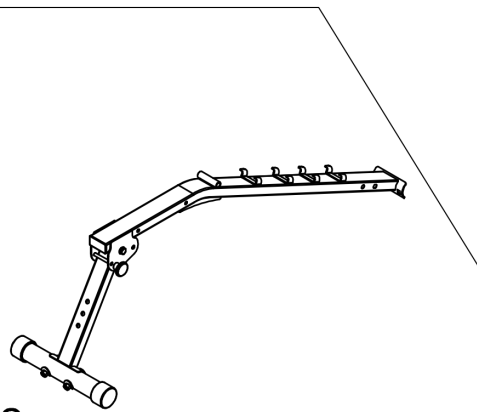
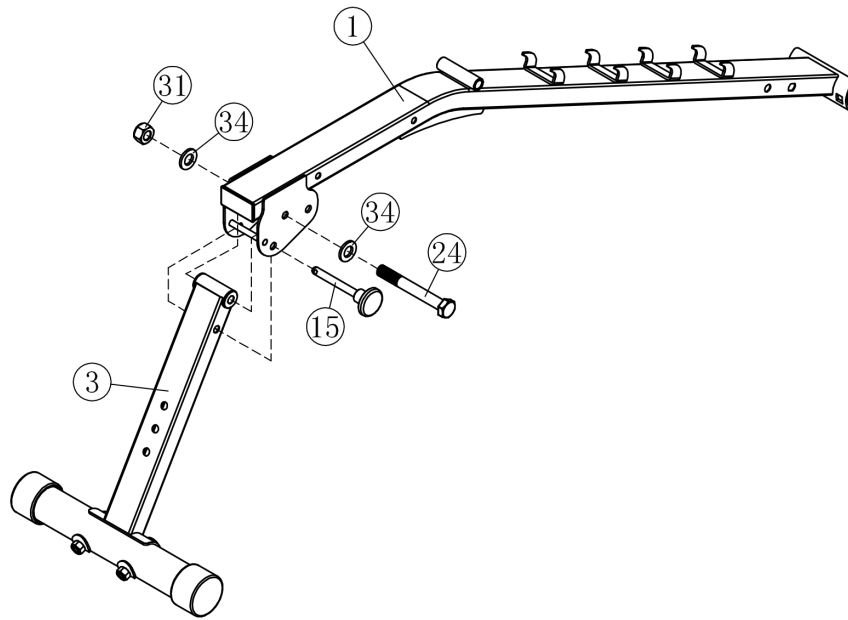
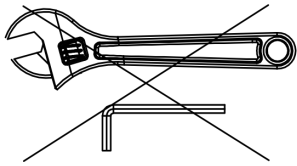
Φ 3/4"

31



x 1

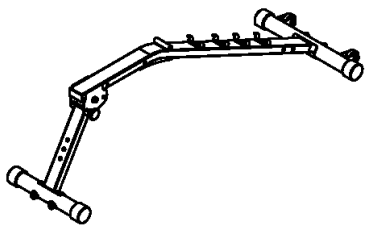
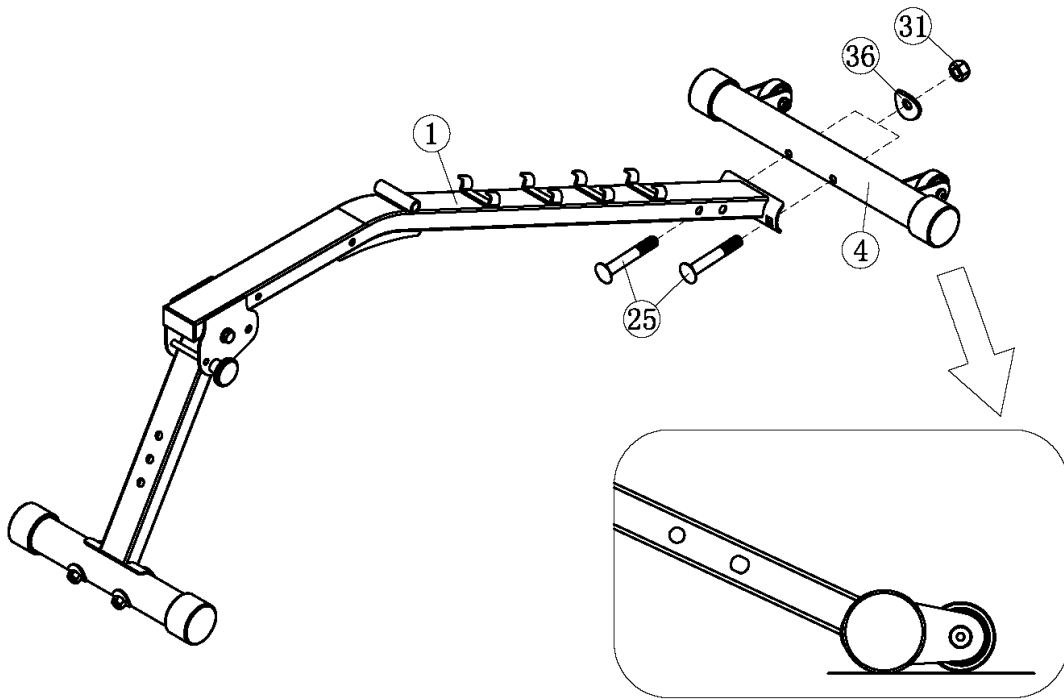
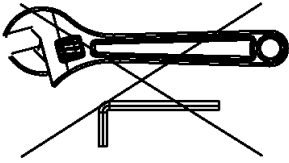
M10



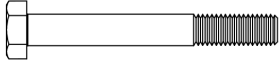
25  x 2 M10x65





36  x 2 $\Phi 30$

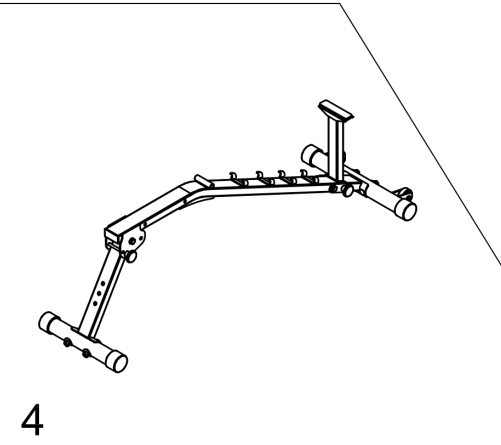
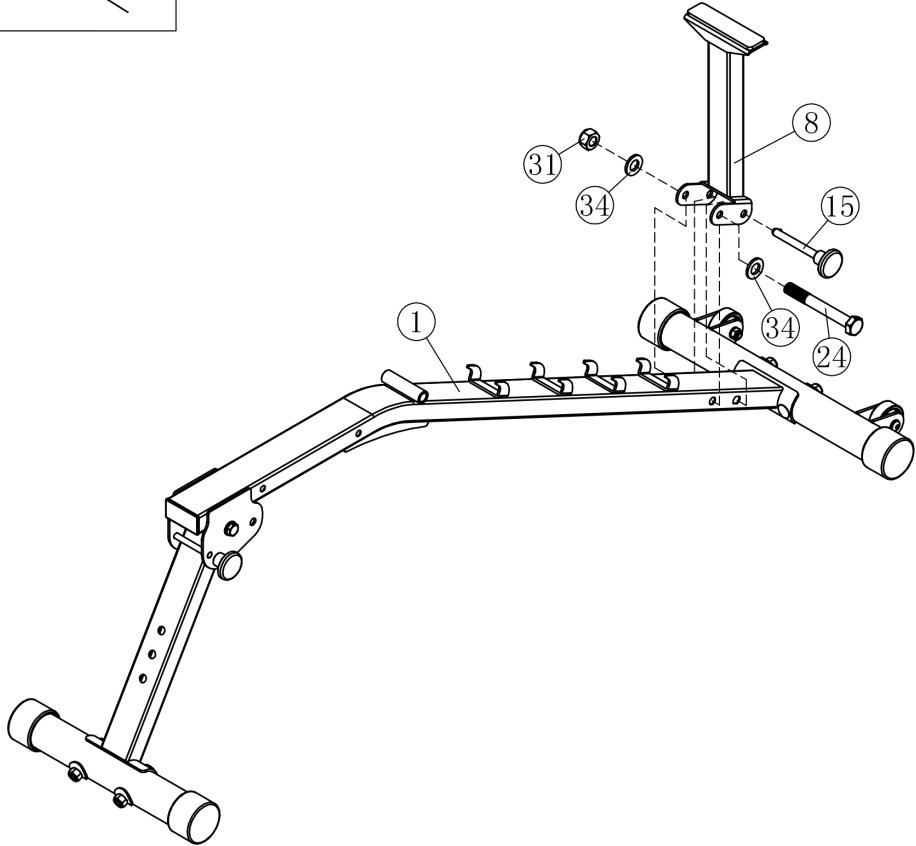
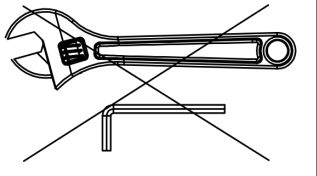
31   x 2 M10

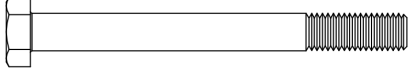

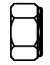









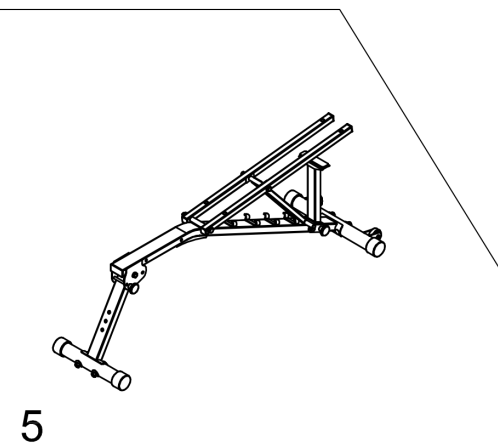
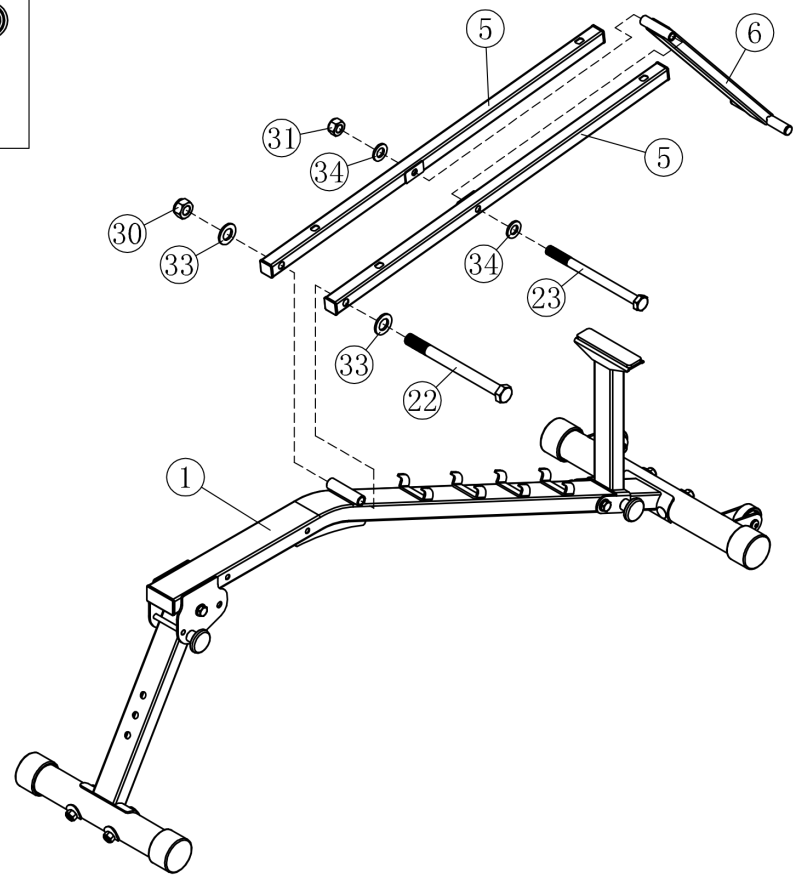
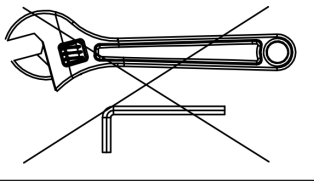
3

- 24

× 1
M10x3¹/₈"

34


× 2
Φ³/₄"
- 31


× 1
M10



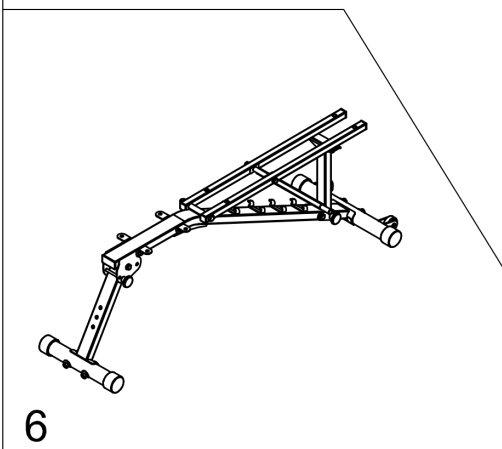
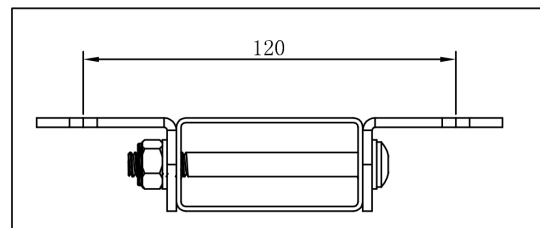
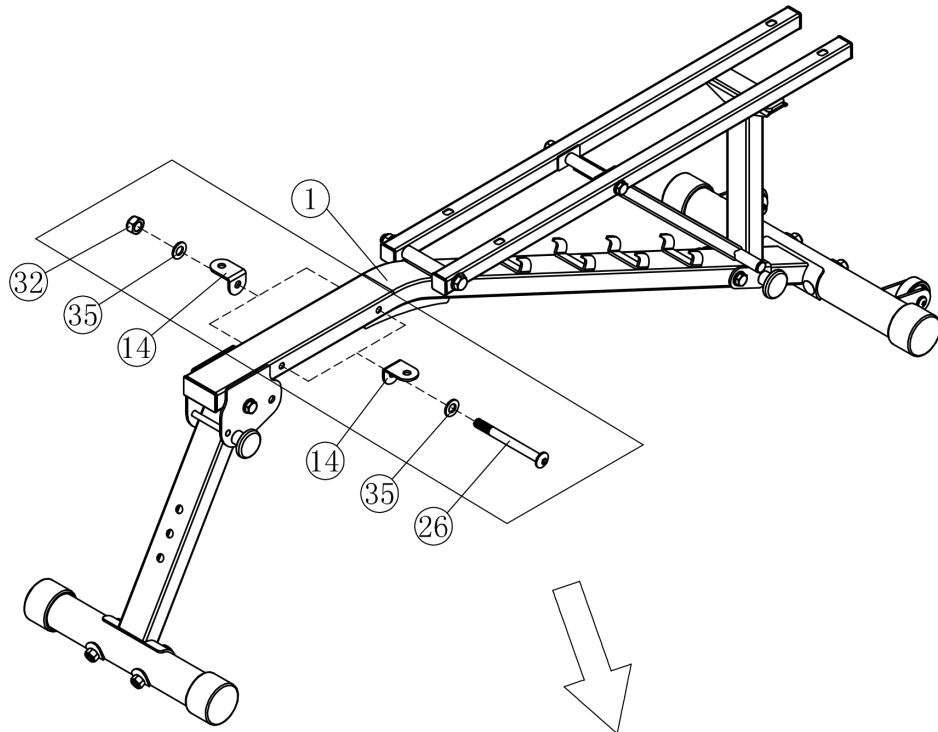
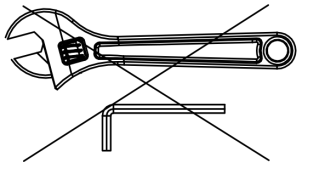
- | | | | | | | | | | |
|----|---|---|---------|-----|---|---|---|-----|-----|
| ②② |  | × 1 | M12x5½" | ③① |  |  | × 1 | M10 | |
| ②③ |  | × 1 | M10x5⅝" | ③③ |  |  | × 2 | Φ1" | |
| ③⑦ |  |  | × 1 | M12 | ③④ |  |  | × 2 | Φ¾" |



②⑥  × 2 M8x3 1/8"

③②  × 2 M8

③⑤  × 8 Φ 1/2"



28



× 4

M8x1½"

35



× 8

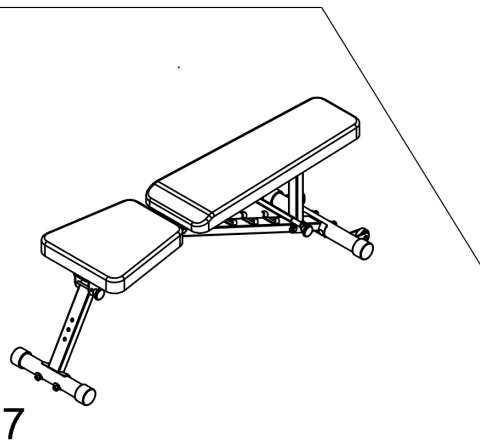
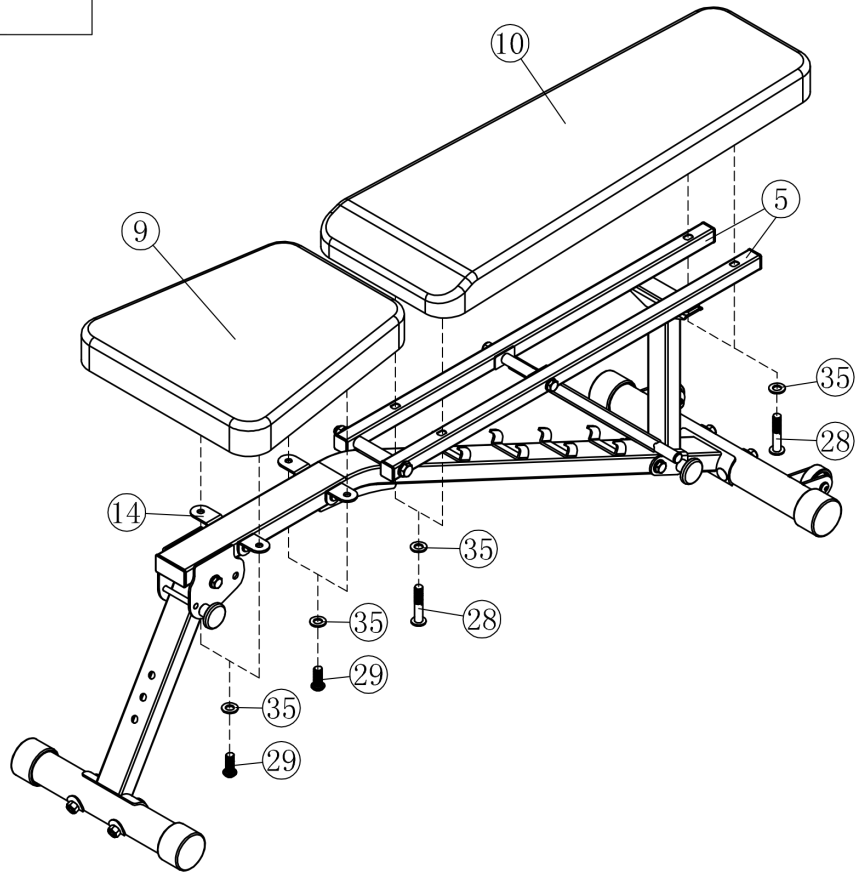
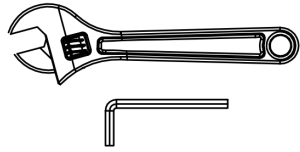
Φ½"

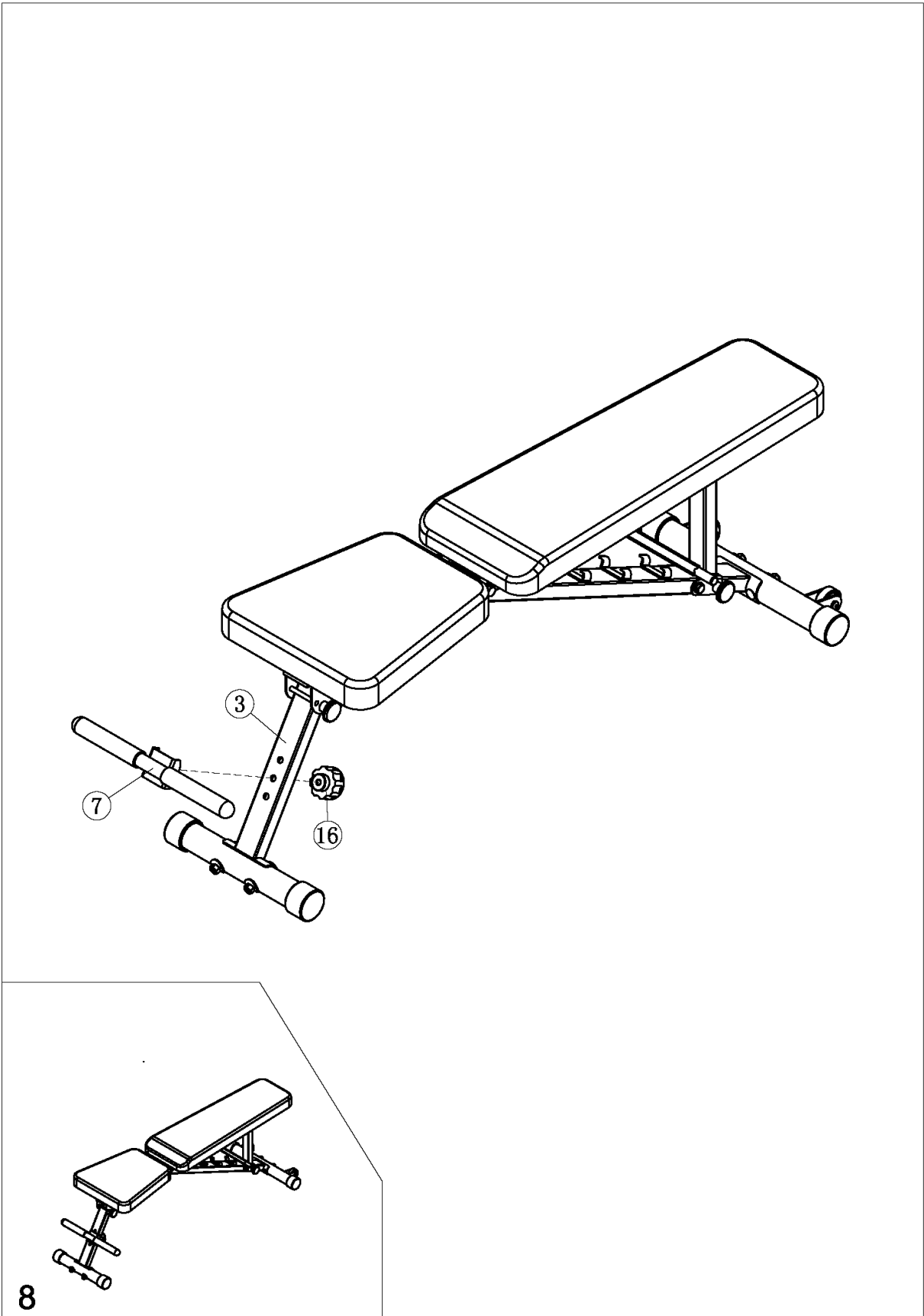
29

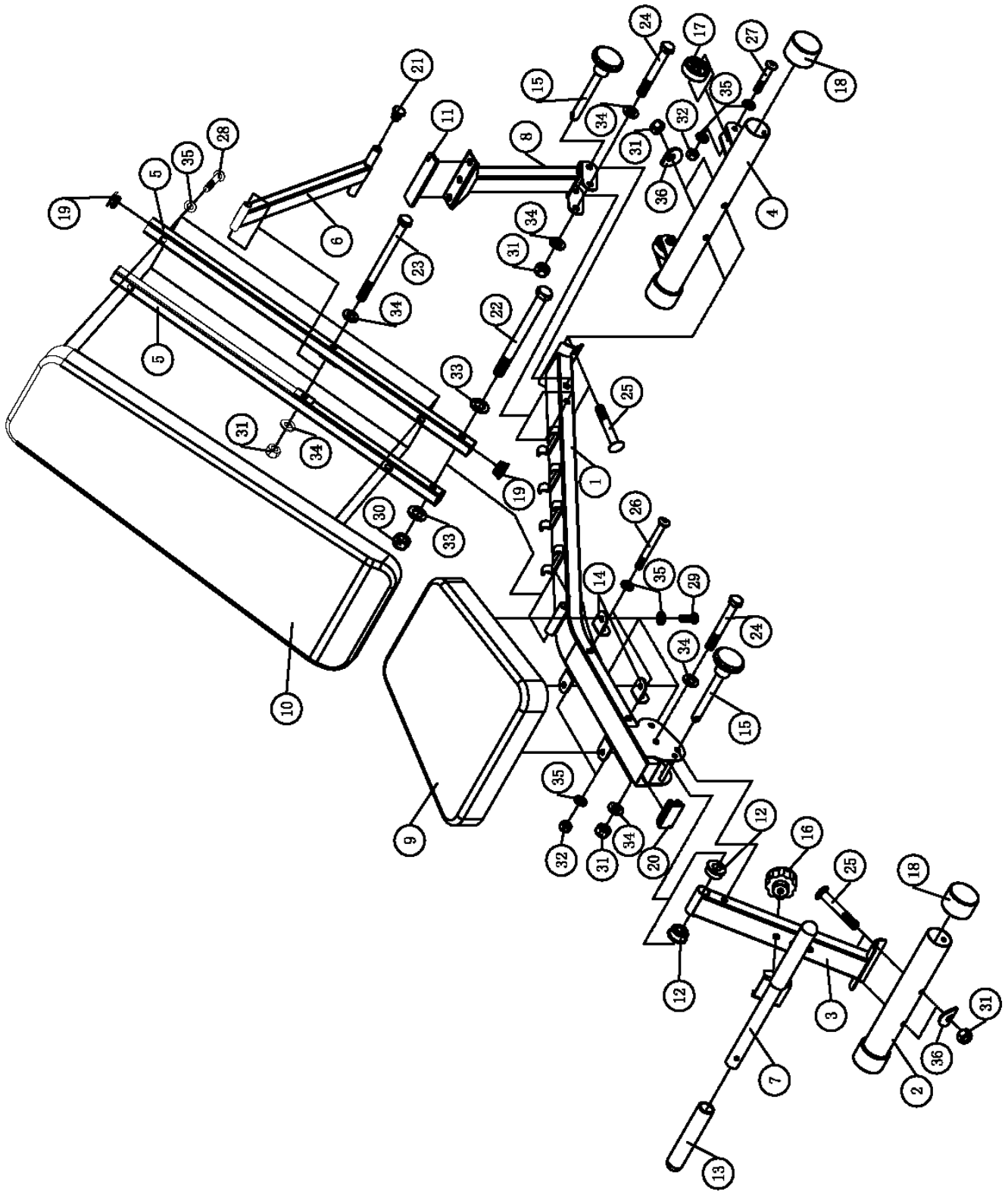


× 4

M8x¾"







IMPEX® INC.

2801 S. Towne Ave, Pomona, CA 91766

Tel: (800) 999-8899 Fax: (626) 961-9966

www.marcypro.com

support@impex-fitness.com