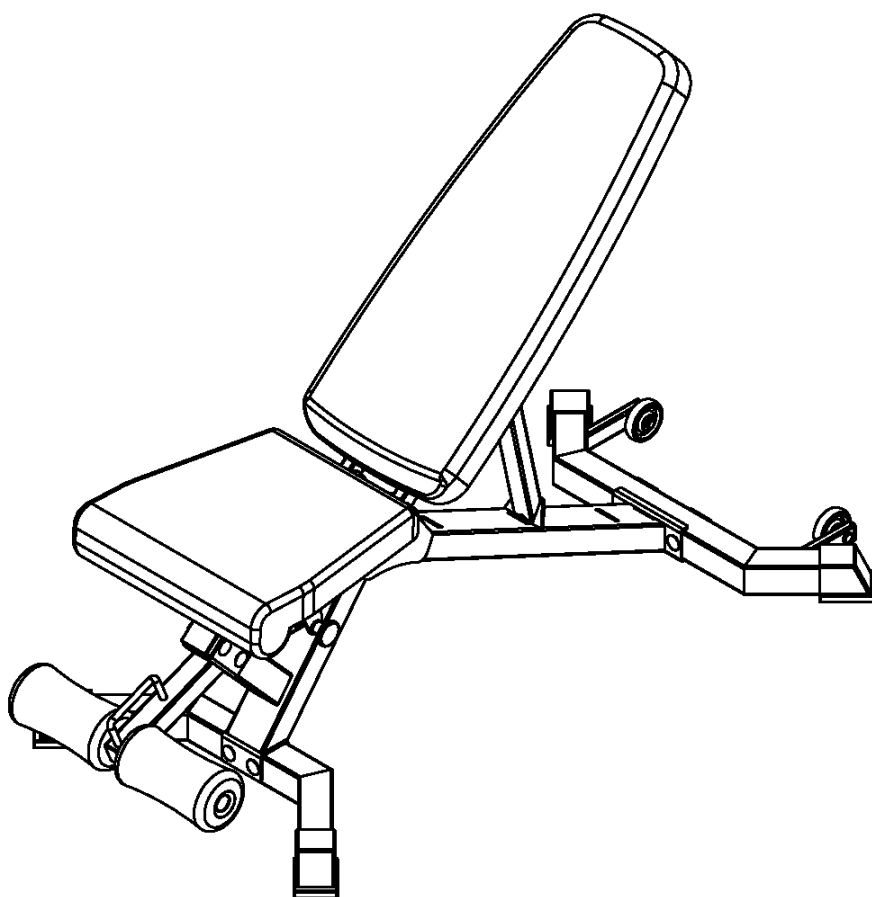




UTILITY BENCH

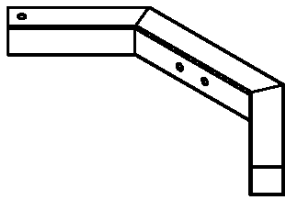
AMZ-563BN



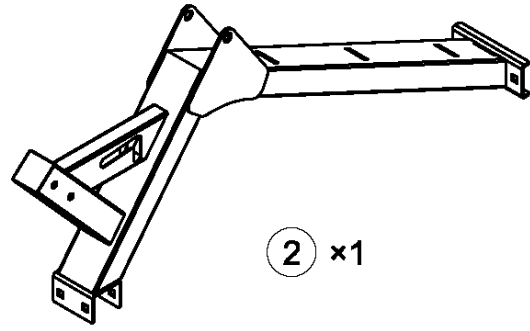
IMPORTANT: Please read the Important Safety Notice and Assembly Information in the Owner's manual before assembling this product.

Assembly Manual

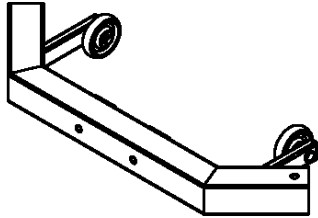
190716



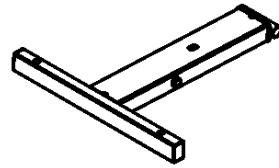
① x1



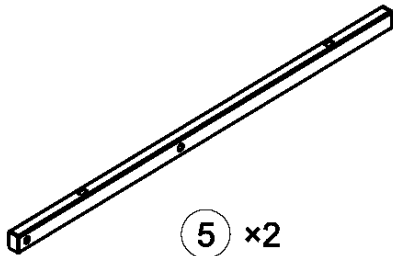
② x1



③ x1



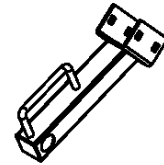
④ x1



⑤ x2



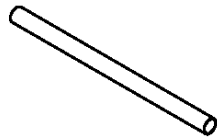
⑥ x1



⑦ x1



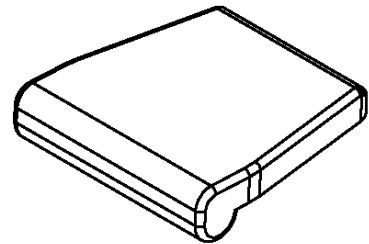
⑧ x2



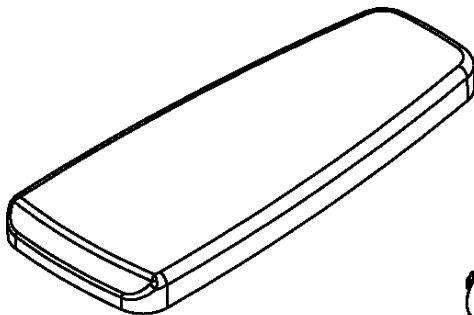
⑨ x1



⑩ x1



⑪ x1



⑫ x1



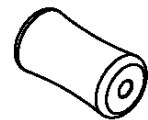
⑭ x4



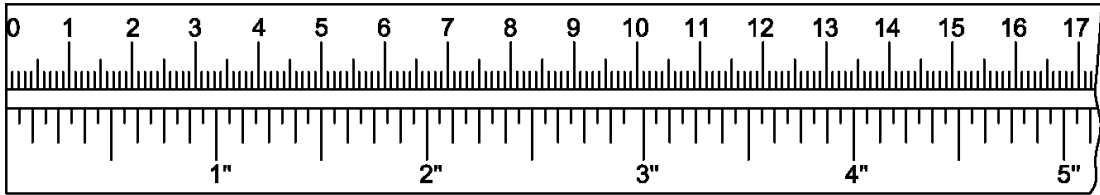
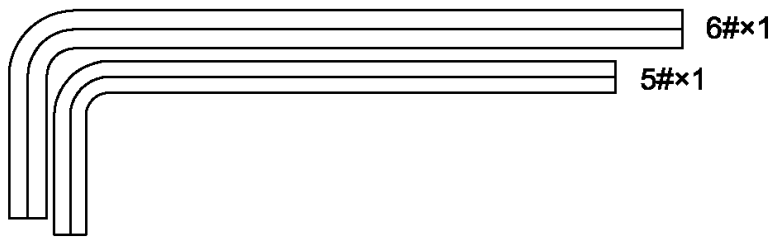
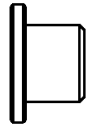
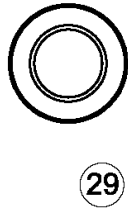
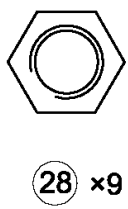
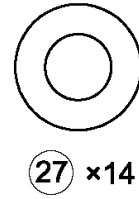
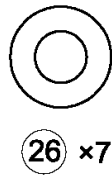
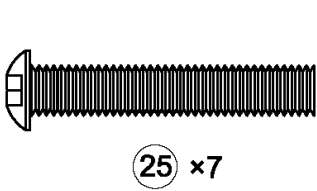
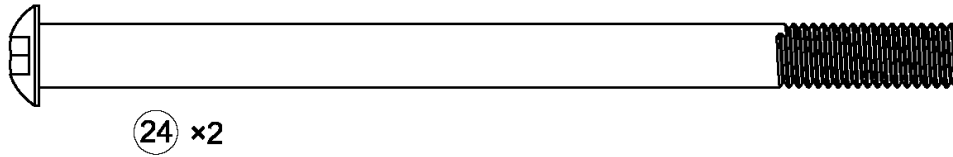
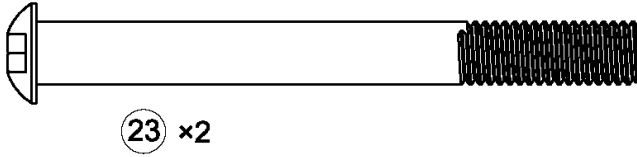
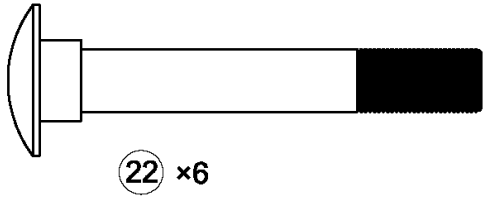
⑮ x2

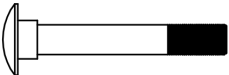




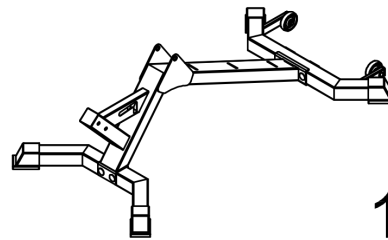
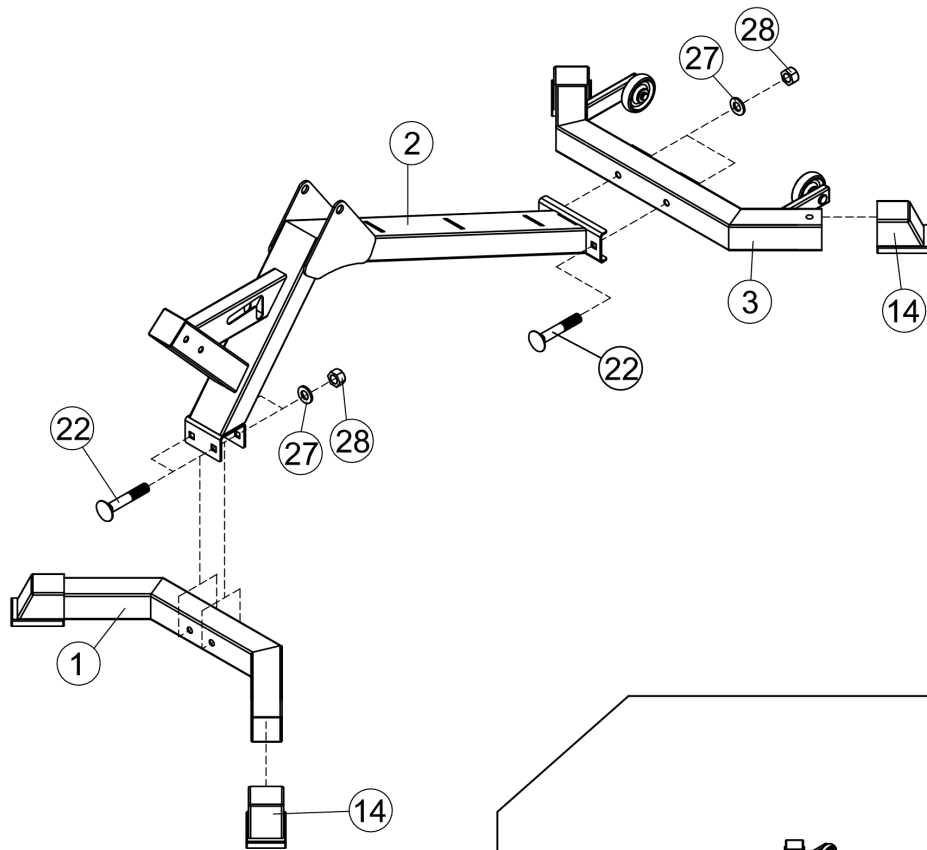
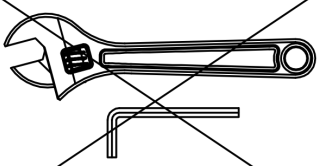
⑯ x1



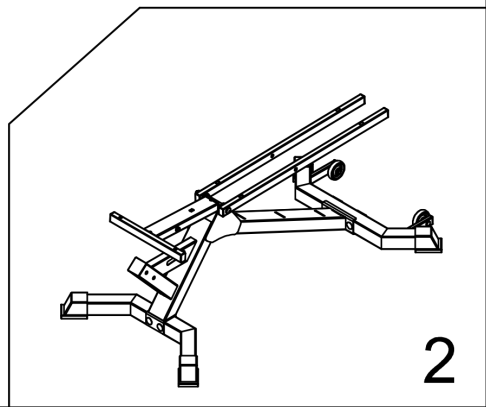
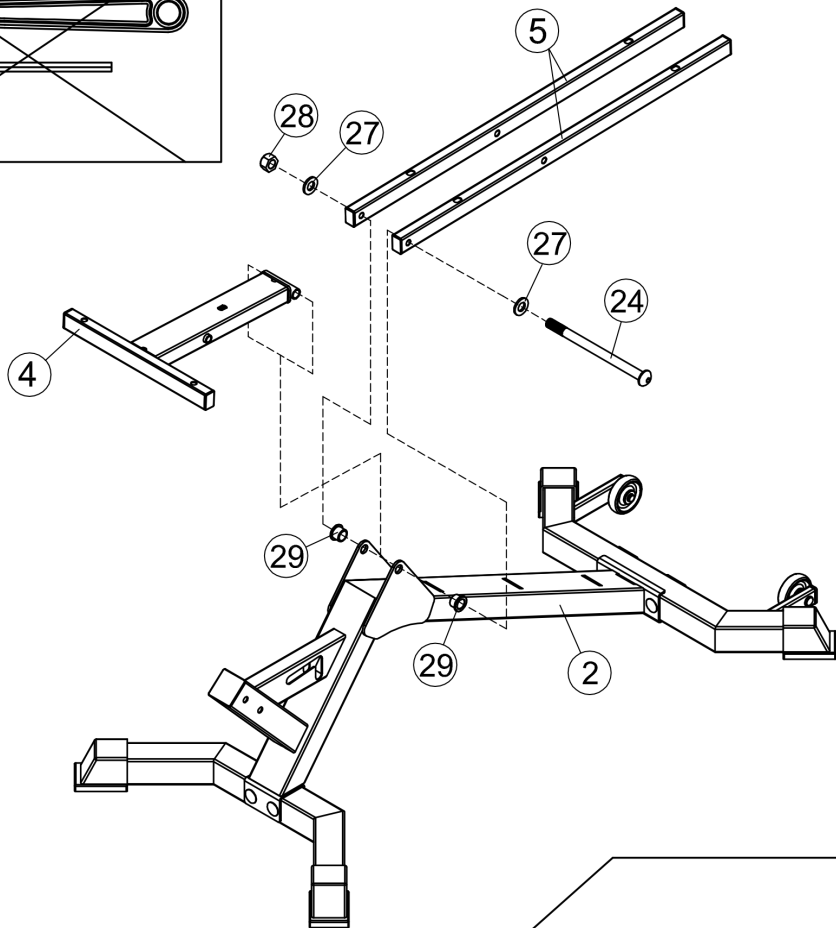
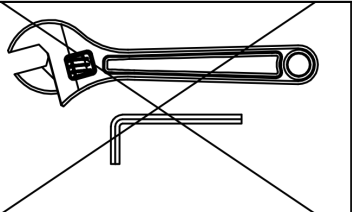
⑰ x2

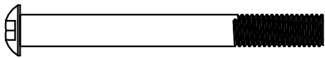
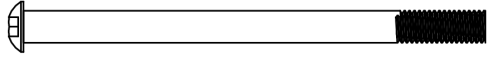


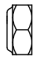



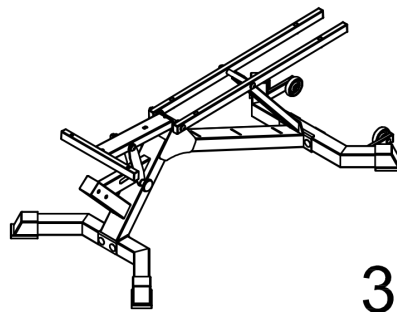
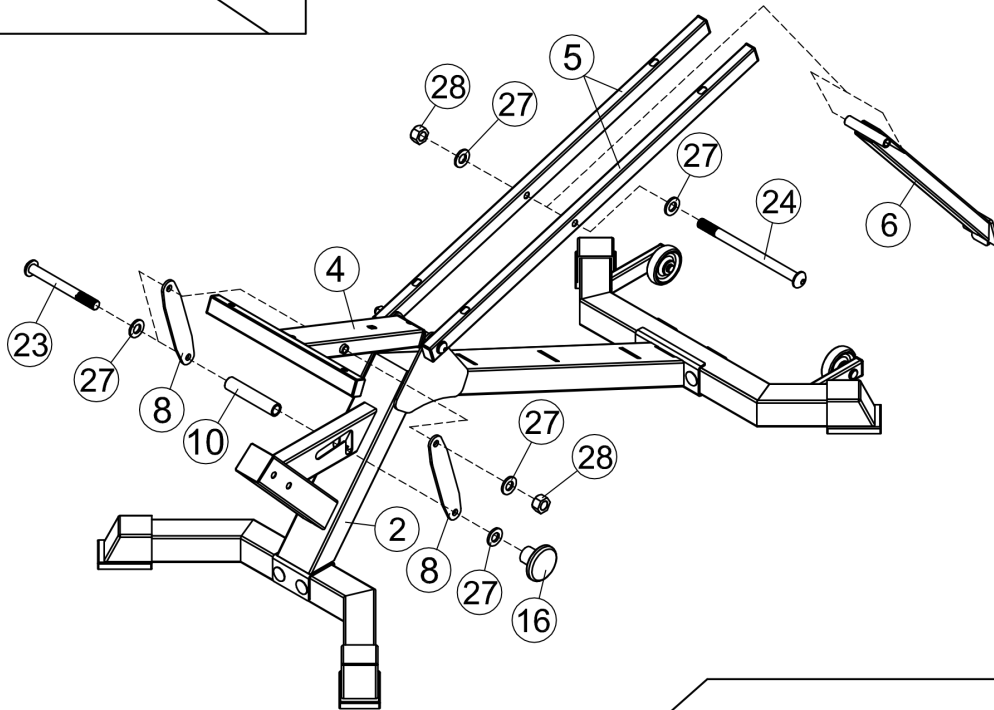
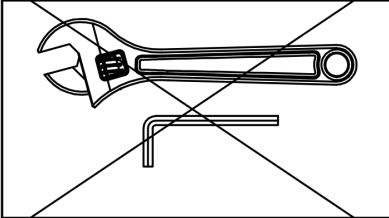
22		x4	M10 x 2 ³ / ₄ "
27		x4	Φ ³ / ₄ "
28		x4	M10



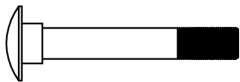


(24)		×1	M10×5 ³ / ₄ "
(27)		×2	φ ³ / ₄ "
(28)		×1	M10
(29)		×2	φ18×φ10.2

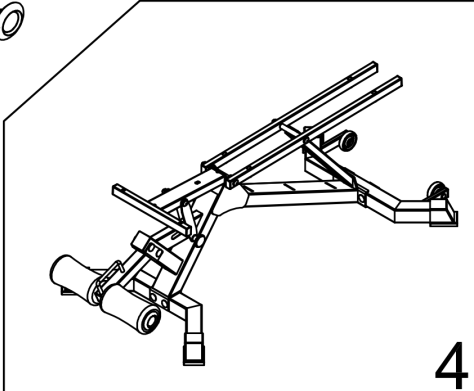
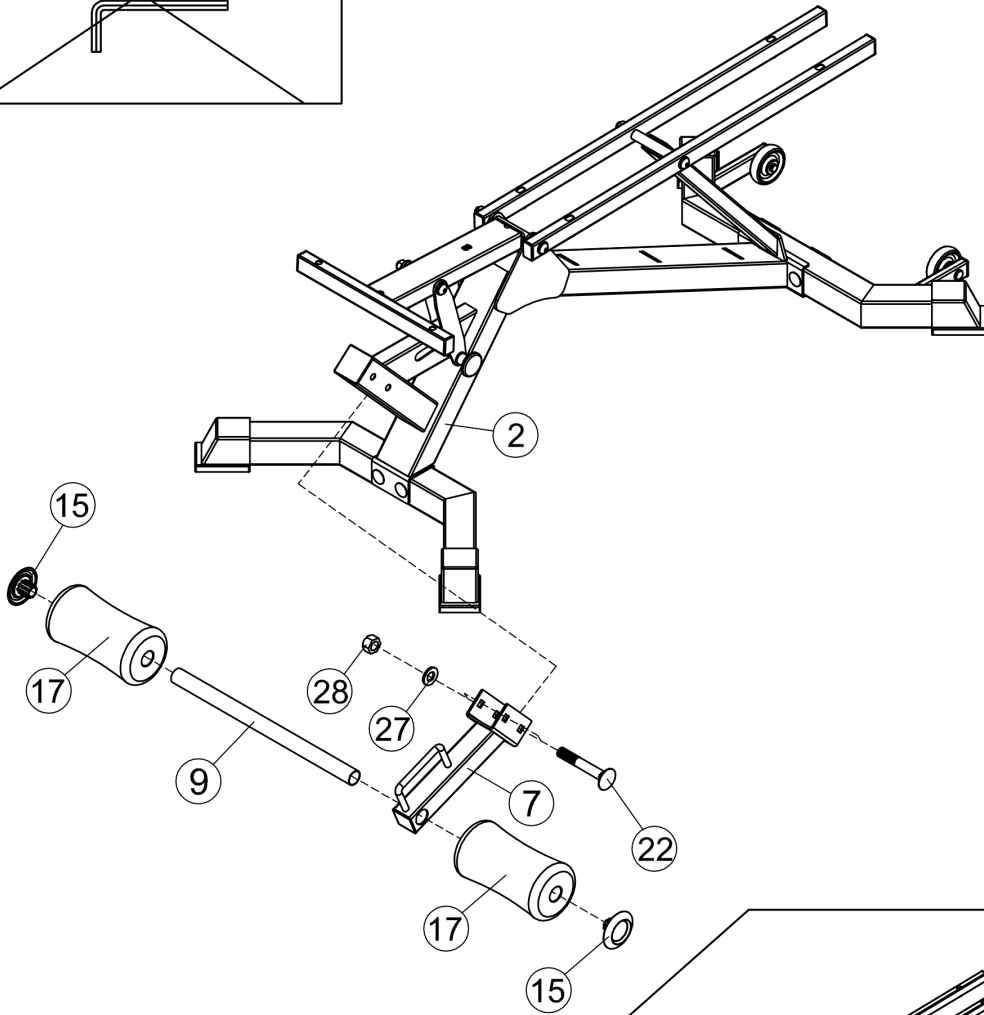
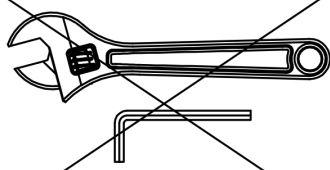


②3		×2	M10× 3 ³ / ₄ "
②4		×1	M10×5 ³ / ₄ "
②7	 	×6	φ ³ / ₄ "
②8	 	×2	M10

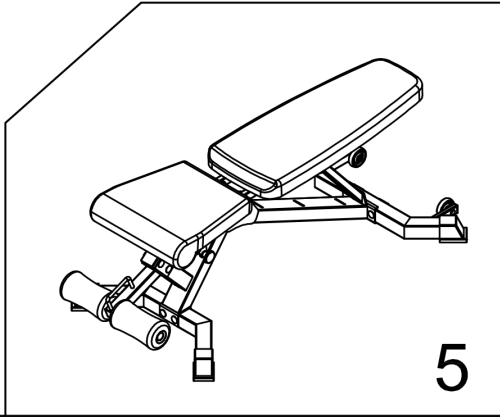
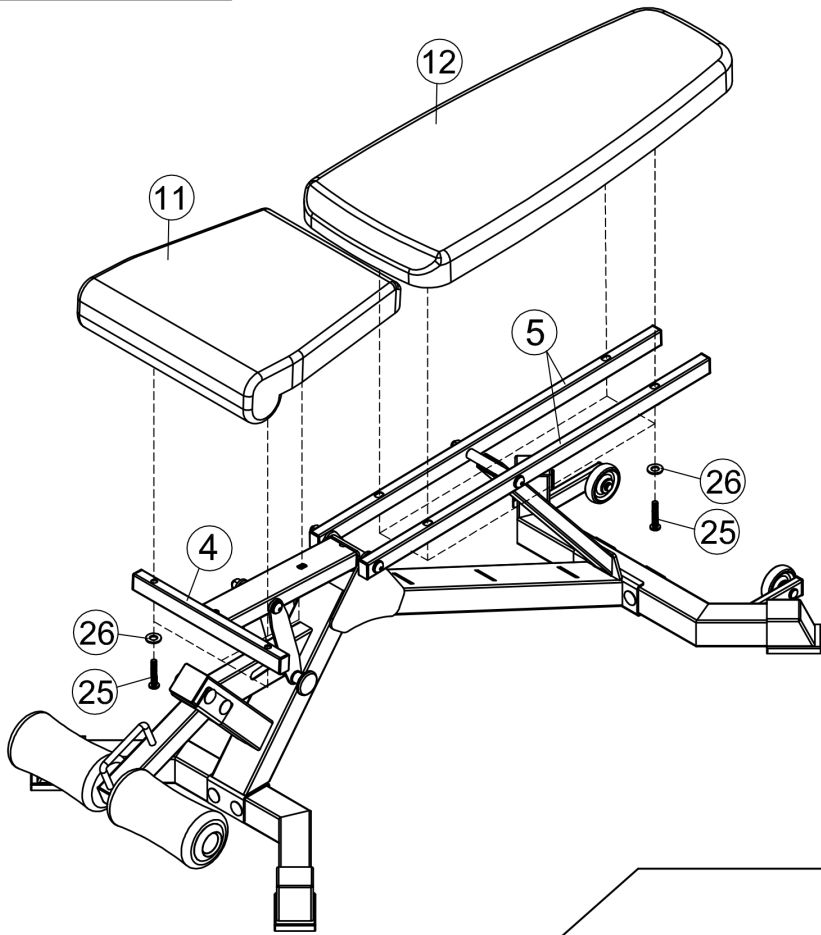
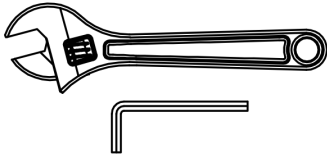


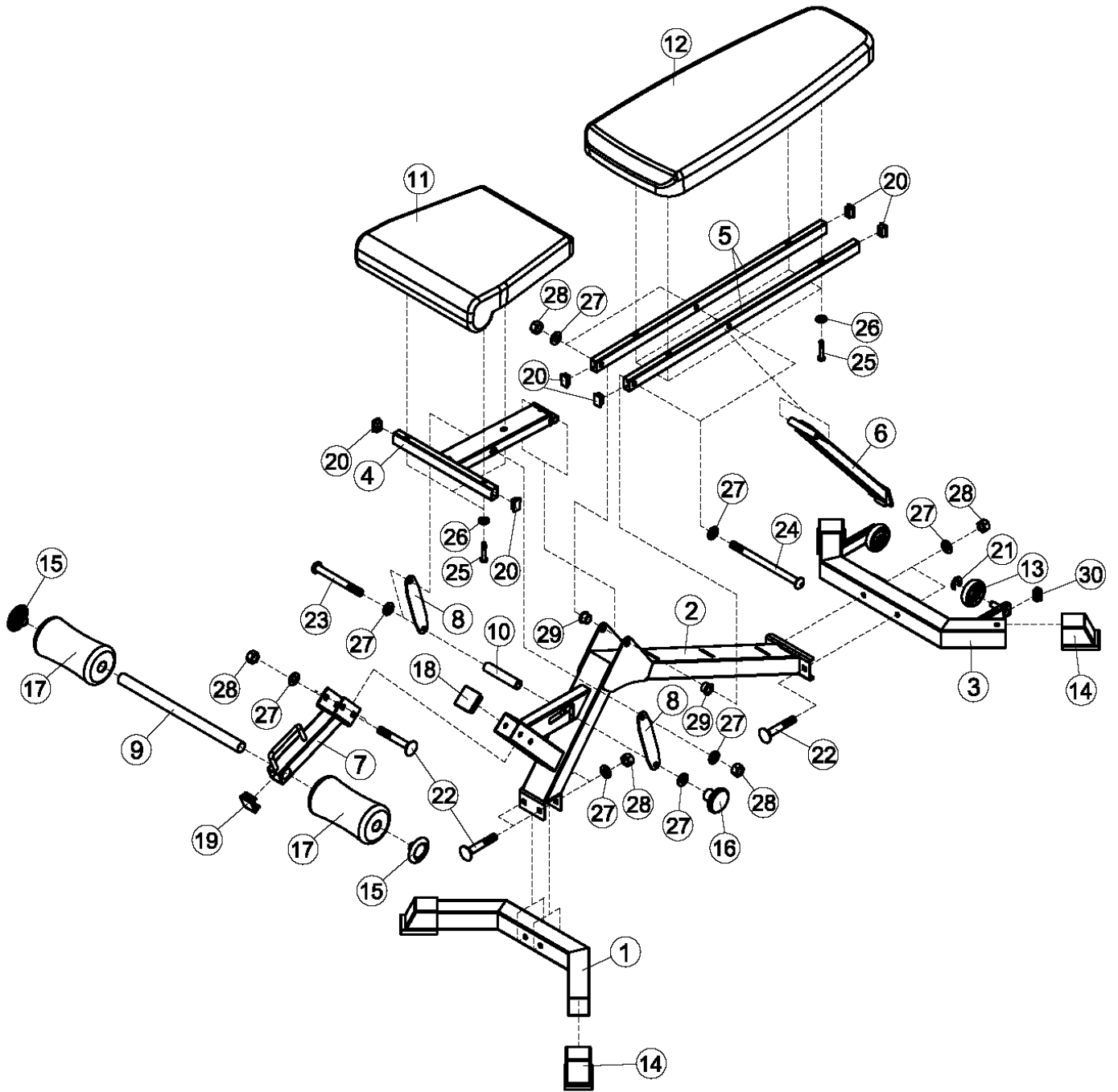
3

- | | | | |
|----|---|----|---------------------------------------|
| ②② |  | x2 | M10 x 2 ³ / ₄ " |
| ②⑦ |  | x2 | Φ ³ / ₄ " |
| ②⑧ |  | x2 | M10 |



- | | | | |
|------|---|----|--------------------------|
| (25) |  | x7 | M8x1 $\frac{3}{4}$ " |
| (26) |  | x7 | ϕ 5 $\frac{5}{8}$ " |





IMPEX® INC.

2801 S. Towne Ave, Pomona, CA 91766

Tel: (800) 999-8899 Fax: (626) 961-9966

www.marcypro.com

support@impex-fitness.com